



IEEE

IEC 63055

Edition 1.0 2016-11

INTERNATIONAL STANDARD

IEEE Std 2401™

Format for LSI-Package-Board interoperable design





THIS PUBLICATION IS COPYRIGHT PROTECTED
Copyright © 2015 IEEE

All rights reserved. IEEE is a registered trademark in the U.S. Patent & Trademark Office, owned by the Institute of Electrical and Electronics Engineers, Inc. Unless otherwise specified, no part of this publication may be reproduced or utilized in any form or by any means, electronic or mechanical, including photocopying and microfilm, without permission in writing from the IEC Central Office. Any questions about IEEE copyright should be addressed to the IEEE. Enquiries about obtaining additional rights to this publication and other information requests should be addressed to the IEC or your local IEC member National Committee.

IEC Central Office
3, rue de Varembe
CH-1211 Geneva 20
Switzerland
Tel.: +41 22 919 02 11
Fax: +41 22 919 03 00
info@iec.ch
www.iec.ch

Institute of Electrical and Electronics Engineers, Inc.
3 Park Avenue
New York, NY 10016-5997
United States of America
stds.info@ieee.org
www.ieee.org

About the IEC

The International Electrotechnical Commission (IEC) is the leading global organization that prepares and publishes International Standards for all electrical, electronic and related technologies.

About IEC publications

The technical content of IEC publications is kept under constant review by the IEC. Please make sure that you have the latest edition, a corrigenda or an amendment might have been published.

IEC Catalogue - webstore.iec.ch/catalogue

The stand-alone application for consulting the entire bibliographical information on IEC International Standards, Technical Specifications, Technical Reports and other documents. Available for PC, Mac OS, Android Tablets and iPad.

IEC publications search - www.iec.ch/searchpub

The advanced search enables to find IEC publications by a variety of criteria (reference number, text, technical committee,...). It also gives information on projects, replaced and withdrawn publications.

IEC Just Published - webstore.iec.ch/justpublished

Stay up to date on all new IEC publications. Just Published details all new publications released. Available online and also once a month by email.

Electropedia - www.electropedia.org

The world's leading online dictionary of electronic and electrical terms containing 20 000 terms and definitions in English and French, with equivalent terms in 15 additional languages. Also known as the International Electrotechnical Vocabulary (IEV) online.

IEC Glossary - std.iec.ch/glossary

65 000 electrotechnical terminology entries in English and French extracted from the Terms and Definitions clause of IEC publications issued since 2002. Some entries have been collected from earlier publications of IEC TC 37, 77, 86 and CISPR.

IEC Customer Service Centre - webstore.iec.ch/csc

If you wish to give us your feedback on this publication or need further assistance, please contact the Customer Service Centre: csc@iec.ch.



IEEE

IEC 63055

Edition 1.0 2016-11

INTERNATIONAL STANDARD

IEEE Std 2401™

Format for LSI-Package-Board interoperable design

INTERNATIONAL
ELECTROTECHNICAL
COMMISSION

ICS 31.180; 31.200; 35.060

ISBN 978-2-8322-3686-4

Warning! Make sure that you obtained this publication from an authorized distributor.

Contents

1. Overview	1
1.1 Scope	1
1.2 Purpose	1
1.3 Key characteristics of the LSI-Package-Board Format	1
1.4 Contents of this standard	3
2. Normative references	3
3. Definitions, acronyms, and abbreviations	3
3.1 Definitions	3
3.2 Acronyms and abbreviations	3
4. Concept of the LPB Format	8
4.1 Technical background	8
4.2 Conventional design	8
4.3 Common problems at the design site	8
4.4 Concept of LPB interoperable design	9
4.5 Value creation by LPB interoperable design	9
4.6 LPB Format	10
4.7 Summary of LPB Format files	10
5. Language basics	16
6. Common elements in M-Format, C-Format, and R-Format	17
6.1 General	17
6.2 The <header> element	18
6.3 The <global> element	19
7. M-Format	31
7.1 M-Format file structure	31
7.2 The <include> element	31
7.3 The <class> element	32
8. C-Format	36
8.1 C-Format file structure	36
8.2 The <module> element	37
8.3 The <component> element	82
9. R-Format	86
9.1 R-Format file structure	86
9.2 The <PhysicalDesign> element	86
9.3 The <ConstraintRule> element	116
10. N-Format	122
10.1 Purpose of the N-Format file	122
10.2 How to identify the power/ground network	122
10.3 Example	122
11. G-Format	122
11.1 Language basics of G-Format	122
11.2 Structure	123

11.3 Header section	124
11.4 Material section	125
11.5 Layer section.....	126
11.6 Shape section	126
11.7 Board geometry section	131
11.8 Padstack section.....	133
11.9 Part section	134
11.10 Component section	135
11.11 Net attribute section	136
11.12 Netlist section	136
11.13 Via section	138
11.14 Bondwire section	139
11.15 Route section	141
Annex A (informative) Bibliography	147
Annex B (informative) Examples of utilization	146
B.1 Understanding the function of the LPB Format	146
B.2 Test bench	146
B.3 Design flow example	148
B.4 Growth of the sample files in the LPB Format	179
B.5 Simulations using the sample files in the LPB Format	182
Annex C (informative) XML Encryption	184
Annex D (informative) MD5 checksum	187
Annex E (informative) Chip-Package Interface Protocol	188
E.1 General	188
E.2 Comparison of C-Format with Chip-Package Interface Protocol.....	188
Annex F (informative) IEEE list of participants	194

FORMAT FOR LSI-PACKAGE-BOARD INTEROPERABLE DESIGN

FOREWORD

- 1) The International Electrotechnical Commission (IEC) is a worldwide organization for standardization comprising all national electrotechnical committees (IEC National Committees). The object of IEC is to promote international co-operation on all questions concerning standardization in the electrical and electronic fields. To this end and in addition to other activities, IEC publishes International Standards, Technical Specifications, Technical Reports, Publicly Available Specifications (PAS) and Guides (hereafter referred to as "IEC Publication(s)"). Their preparation is entrusted to technical committees; any IEC National Committee interested in the subject dealt with may participate in this preparatory work. International, governmental and non-governmental organizations liaising with the IEC also participate in this preparation.

IEEE Standards documents are developed within IEEE Societies and Standards Coordinating Committees of the IEEE Standards Association (IEEE-SA) Standards Board. IEEE develops its standards through a consensus development process, which brings together volunteers representing varied viewpoints and interests to achieve the final product. Volunteers are not necessarily members of IEEE and serve without compensation. While IEEE administers the process and establishes rules to promote fairness in the consensus development process, IEEE does not independently evaluate, test, or verify the accuracy of any of the information contained in its standards. Use of IEEE Standards documents is wholly voluntary. IEEE documents are made available for use subject to important notices and legal disclaimers (see <http://standards.ieee.org/IPR/disclaimers.html> for more information).

IEC collaborates closely with IEEE in accordance with conditions determined by agreement between the two organizations.

- 2) The formal decisions of IEC on technical matters express, as nearly as possible, an international consensus of opinion on the relevant subjects since each technical committee has representation from all interested IEC National Committees. The formal decisions of IEEE on technical matters once consensus within IEEE Societies and Standards Coordinating Committees has been reached, is determined by a balanced ballot of materially interested parties who indicate interest in reviewing the proposed standard. Final approval of the IEEE standards document is given by the IEEE Standards Association (IEEE-SA) Standards Board.
- 3) IEC/IEEE Publications have the form of recommendations for international use and are accepted by IEC National Committees/IEEE Societies in that sense. While all reasonable efforts are made to ensure that the technical content of IEC/IEEE Publications is accurate, IEC or IEEE cannot be held responsible for the way in which they are used or for any misinterpretation by any end user.
- 4) In order to promote international uniformity, IEC National Committees undertake to apply IEC Publications (including IEC/IEEE Publications) transparently to the maximum extent possible in their national and regional publications. Any divergence between a national or regional publication and the corresponding national or regional publication shall be clearly indicated in the latter.
- 5) IEC and IEEE do not provide any attestation of conformity. Independent certification bodies provide conformity assessment services and, in some cases, access to IEC marks of conformity. IEC and IEEE are not responsible for any services carried out by independent certification bodies.
- 6) All users should ensure that they have the latest edition of this publication.
- 7) No liability shall attach to IEC or IEEE or their directors, employees, servants or agents including individual experts and members of technical committees and IEC National Committees, or volunteers of IEEE Societies and the Standards Coordinating Committees of the IEEE Standards Association (IEEE-SA) Standards Board, for any personal injury, property damage or other damage of any nature whatsoever, whether direct or indirect, or for costs (including legal fees) and expenses arising out of the publication, use of, or reliance upon, this IEC/IEEE Publication or any other IEC or IEEE Publications.
- 8) Attention is drawn to the normative references cited in this publication. Use of the referenced publications is indispensable for the correct application of this publication.
- 9) Attention is drawn to the possibility that implementation of this IEC/IEEE Publication may require use of material covered by patent rights. By publication of this standard, no position is taken with respect to the existence or validity of any patent rights in connection therewith. IEC or IEEE shall not be held responsible for identifying Essential Patent Claims for which a license may be required, for conducting inquiries into the legal validity or scope of Patent Claims or determining whether any licensing terms or conditions provided in connection with submission of a Letter of Assurance, if any, or in any licensing agreements are reasonable or non-discriminatory. Users of this standard are expressly advised that determination of the validity of any patent rights, and the risk of infringement of such rights, is entirely their own responsibility.

International Standard IEC 63055/IEEE Std 2401 has been processed through IEC technical committee 91: Electronics assembly technology, under the IEC/IEEE Dual Logo Agreement.

The text of this standard is based on the following documents:

IEEE Std	FDIS	Report on voting
2401 (2015)	91/1362/FDIS	91/1373/RVD

Full information on the voting for the approval of this standard can be found in the report on voting indicated in the above table.

The IEC Technical Committee and IEEE Technical Committee have decided that the contents of this publication will remain unchanged until the stability date indicated on the IEC web site under "<http://webstore.iec.ch>" in the data related to the specific publication. At this date, the publication will be

- reconfirmed,
- withdrawn,
- replaced by a revised edition, or
- amended.

Currently in preview, click buy full version

IEEE Standard Format for LSI-Package-Board Interoperable Design

Sponsor

Design Automation Standards Committee
of the
IEEE Computer Society

Approved 3 September 2015

IEEE-SA Standards Board

Copyrights and Permissions

The following figures are reprinted with permission from JEITA¹

Figure i, Figure ii, Figure 1, Figure 3, Figure 16, Figure 17, Figure 18, Figure 19, Figure 20, Figure 21, Figure 22, Figure 23, Figure 24, Figure 25, Figure 26, Figure 27, Figure 28, Figure 29, Figure 30, Figure 31, Figure 32, Figure 33, Figure 34, Figure 35, Figure 36, Figure 37, Figure 38, Figure 39, Figure 40, Figure 41, Figure 42, Figure 43, Figure 44, Figure 45, Figure 46, Figure 47, Figure 48, Figure 49, Figure 50, Figure 51, Figure 60, Figure 61, Figure 62, Figure 63, Figure B.1, Figure B.3, Figure B.5, Figure B.6, Figure B.7, Figure B.8, Figure B.10, Figure B.11, Figure B.12, Figure B.13, Figure B.14, Figure B.15, Figure B.16, Figure B.17, Figure B.18, Figure B.19, Figure B.20, Figure B.21, Figure B.22, Figure B.23, Figure B.24, Figure B.25, Figure B.26, Figure B.27, Figure B.28, Figure B.29

Abstract: A method is provided for specifying a common interoperable format for electronic systems design. The format provides a common way to specify information/data about the project management, netlists, components, design rules, and geometries used in Large-Scale Integrated Circuit-Package-Board designs. The method provides the ability to make electronic systems a key consideration early in the design process; design tools can use it to exchange information/data seamlessly.

Keywords: common interoperable format, components, design analysis, design rules, geometries, IEEE 2401™, large-scale integrated circuits, netlists, packages for LSI circuits, printed circuit board, project management, Verilog-HDL

IEEE Introduction

This introduction is not part of IEEE Std 2401™-2015, IEEE Standard Format for LSI-Package-Board Interoperable Design.

To deal with the increasing difficulty of design and the cost competitiveness of the global market, and to shorten the development term, innovative design methodologies should be implemented. It has been difficult to achieve the optimization of an entire set of large-scale integrated (LSI) circuits, packages, and board (LPB) using individual design processes for each LPB part.

One possibility for optimization is to have a certain section design the whole LPB; however, gathering knowledge and integrating the design environment of each LPB part is difficult. Dedicated professional technicians of individual LPB parts, who have the best knowledge and performance of their own part's design tools, intend to create design optimization by having proper interoperable information exchanges among all LPB parties. In order to achieve a design that optimizes the balance between cost and performance, information about and the results of design should be well shared among cooperating LPB design sections.

The Japan Electronics and Information Technology Industries Association (JEITA) LPB Interoperable Design Process Working Group (LPB-WG) was established to identify the solution. The LPB-WG intends to make a standard for an exchange format to make it easy to exchange information between each of the LPB design departments, so that optimal design will be carried out quickly.

The LPB interoperable design process has the following issues:

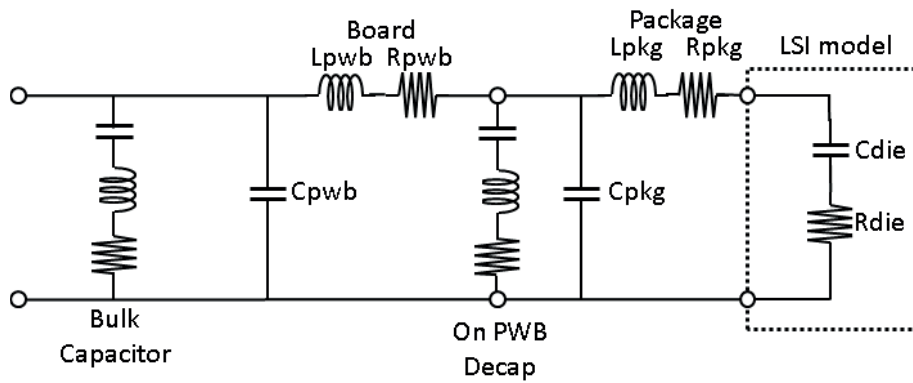
- Netlist not unified on each LPB
- Complexity of the representation of the relationship as a whole arrangement of the LPB
- Differences in how to give the design constraints, lack of design information, and many discrepancies in design rules.
- Databases not unified in each LPB, or among different vendors
- No unified terms

Various problems caused by these issues include the following:

- A large effort is required for conversion of formats.
- The occurrence of conversion errors and connection errors is difficult to detect because there is a lack of the information needed to do so.
- It takes a long time to gather information, resulting in a long period of design and analysis.
- It is difficult to make optimal design changes because the entire verification process is difficult.
- EDA tool cost increase because of additional development required to support multiple formats.
- It is time-consuming for designers to communicate their intentions in a way that others understand.

Based on this analysis, the LPB-WG has established an interface format that can address these issues.

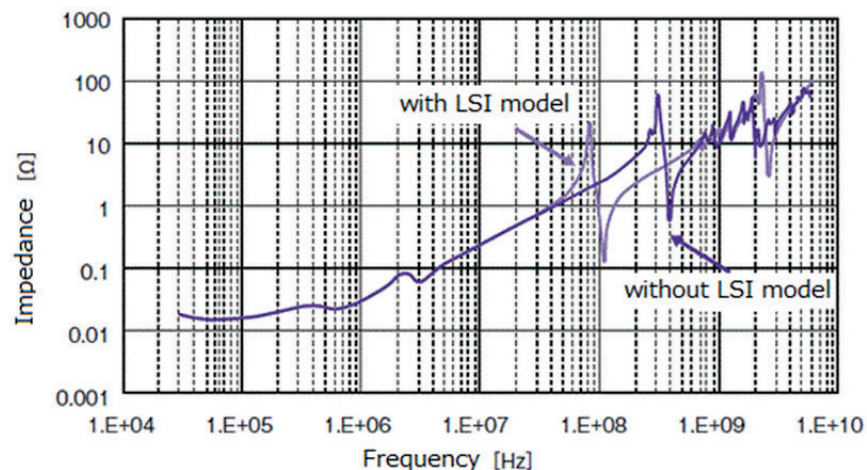
As the one of the case studies of the LPB interoperable design process, the power distribution network (PDN) should be designed with information about the other LPB parts to reduce the noise (see Figure i).



Reprinted with permission from JEITA.

Figure i—Power distribution network

Resonance is caused by a capacitance and inductance present in the various parts in the LPB PDN. Impedance at the resonant frequency will be extremely large. If each part of the overall LPB design is not accurately simulated in the PDN model, the power supply circuit cannot be correctly designed (see Figure ii).



Reprinted with permission from JEITA.

Figure ii—Example of PDN impedance

In order to run properly, this simulation should align a variety of information, such as the circuit model of power distribution network (PDN) of LSI, shape information about the package and board, electrical parameters of materials, and models of the components. It is difficult to make an efficient design when the specification or format of the design information is different in each part of the LPB, and the necessary parameters are not shared. When the format of the interface methods and models of the simulation are not consistent, the setup time and the cost of design/verification are enormous, which has become a barrier to cooperation in LPB design. The LPB-WG was established in JEITA to explore ways to create a mutual LPB interface to enable a more efficient co-design environment.

Format for LSI-Package-Board Interoperable Design

IMPORTANT NOTICE: IEEE Standards documents are not intended to ensure safety, security, health, or environmental protection, or ensure against interference with or from other devices or networks. Implementers of IEEE Standards documents are responsible for determining and complying with all appropriate safety, security, environmental, health, and interference protection practices and all applicable laws and regulations.

This IEEE document is made available for use subject to important notices and legal disclaimers. These notices and disclaimers appear in all publications containing this document and may be found under the heading “Important Notice” or “Important Notices and Disclaimers Concerning IEEE Documents.” They can also be obtained on request from IEEE or viewed at <http://standards.ieee.org/IPR/disclaimers.html>.

1. Overview

1.1 Scope

This standard defines a common interoperable format that will be used for the design of a) large-scale integration (LSI), b) packages for such LSI, and c) printed circuit boards on which the packaged LSI are interconnected. Collectively, such designs are referred to as “LSI-Package-Board” (LPB) designs. The format provides a common way to specify information/data about the project management, netlists, components, design rules, and geometries used in LPB designs.

1.2 Purpose

The general purpose of this standard is to develop a common format that LPB design tools can use to exchange information/data seamlessly, as opposed to having to work with multiple different input and output formats.

1.3 Key characteristics of the LSI-Package-Board Format

LPB format will facilitate the exchange of design information. This functionality provides the ability to plan the entire design at an early stage. In effect, post-design analysis will be possible throughout the entire