

INTERNATIONAL STANDARD

NORME INTERNATIONALE



**Engineering data exchange format for use in industrial automation systems
engineering – Automation markup language –
Part 1: Architecture and general requirements**

**Format d'échange de données techniques pour une utilisation dans l'ingénierie
des systèmes d'automatisation industrielle – Automation markup language –
Partie 1: Architecture et exigences générales**



THIS PUBLICATION IS COPYRIGHT PROTECTED
Copyright © 2018 IEC, Geneva, Switzerland

All rights reserved. Unless otherwise specified, no part of this publication may be reproduced or utilized in any form or by any means, electronic or mechanical, including photocopying and microfilm, without permission in writing from either IEC or IEC's member National Committee in the country of the requester. If you have any questions about IEC copyright or have an enquiry about obtaining additional rights to this publication, please contact the address below or your local IEC member National Committee for further information.

Droits de reproduction réservés. Sauf indication contraire, aucune partie de cette publication ne peut être reproduite ni utilisée sous quelque forme que ce soit et par aucun procédé, électronique ou mécanique, y compris la photocopie et les microfilms, sans l'accord écrit de l'IEC ou du Comité national de l'IEC du pays du demandeur. Si vous avez des questions sur le copyright de l'IEC ou si vous désirez obtenir des droits supplémentaires sur cette publication, utilisez les coordonnées ci-après ou contactez le Comité national de l'IEC de votre pays de résidence.

IEC Central Office
3, rue de Varembe
CH-1211 Geneva 20
Switzerland

Tel.: +41 22 919 02 11
info@iec.ch
www.iec.ch

About the IEC

The International Electrotechnical Commission (IEC) is the leading global organization that prepares and publishes International Standards for all electrical, electronic and related technologies.

About IEC publications

The technical content of IEC publications is kept under constant review by the IEC. Please make sure that you have the latest edition, a corrigenda or an amendment might have been published.

IEC Catalogue - webstore.iec.ch/catalogue

The stand-alone application for consulting the entire bibliographical information on IEC International Standards, Technical Specifications, Technical Reports and other documents. Available for PC, Mac OS, Android Tablets and iPad.

IEC publications search - webstore.iec.ch/advsearchform

The advanced search enables to find IEC publications by a variety of criteria (reference number, text, technical committee,...). It also gives information on projects, replaced and withdrawn publications.

IEC Just Published - webstore.iec.ch/justpublished

Stay up to date on all new IEC publications. Just Published details all new publications released. Available online and also once a month by email.

Electropedia - www.electropedia.org

The world's leading online dictionary of electronic and electrical terms containing 21 000 terms and definitions in English and French, with equivalent terms in 16 additional languages. Also known as the International Electrotechnical Vocabulary (IEV) online.

IEC Glossary - std.iec.ch/glossary

67 000 electrotechnical terminology entries in English and French extracted from the Terms and Definitions clause of IEC publications issued since 2002. Some entries have been collected from earlier publications of IEC TC 37, 77, 86 and CISPR.

IEC Customer Service Centre - webstore.iec.ch/csc

If you wish to give us your feedback on this publication or need further assistance, please contact the Customer Service Centre: sales@iec.ch.

A propos de l'IEC

La Commission Electrotechnique Internationale (IEC) est la première organisation mondiale qui élabore et publie des Normes internationales pour tout ce qui a trait à l'électricité, à l'électronique et aux technologies apparentées.

A propos des publications IEC

Le contenu technique des publications IEC est constamment revu. Veuillez vous assurer que vous possédez l'édition la plus récente, un corrigendum ou amendement peut avoir été publié.

Catalogue IEC - webstore.iec.ch/catalogue

Application autonome pour consulter tous les renseignements bibliographiques sur les Normes internationales, Spécifications techniques, Rapports techniques et autres documents de l'IEC. Disponible pour PC, Mac OS, tablettes Android et iPad.

Recherche de publications IEC -

webstore.iec.ch/advsearchform

La recherche avancée permet de trouver des publications IEC en utilisant différents critères (numéro de référence, texte, comité d'études,...). Elle donne aussi des informations sur les projets et les publications remplacées ou retirées.

IEC Just Published - webstore.iec.ch/justpublished

Restez informé sur les nouvelles publications IEC. Just Published détaille les nouvelles publications parues. Disponible en ligne et aussi une fois par mois par email.

Electropedia - www.electropedia.org

Le premier dictionnaire en ligne de termes électroniques et électriques. Il contient 21 000 termes et définitions en anglais et en français, ainsi que les termes équivalents dans 16 langues additionnelles. Egalement appelé Vocabulaire Electrotechnique International (IEV) en ligne.

Glossaire IEC - std.iec.ch/glossary

67 000 entrées terminologiques électrotechniques, en anglais et en français, extraites des articles Termes et Définitions des publications IEC parues depuis 2002. Plus certaines entrées antérieures extraites des publications des CE 37, 77, 86 et CISPR de l'IEC.

Service Clients - webstore.iec.ch/csc

Si vous désirez nous donner des commentaires sur cette publication ou si vous avez des questions contactez-nous: sales@iec.ch.

INTERNATIONAL STANDARD

NORME INTERNATIONALE



**Engineering data exchange format for use in industrial automation systems
engineering – Automation markup language –
Part 1: Architecture and general requirements**

**Format d'échange de données techniques pour une utilisation dans l'ingénierie
des systèmes d'automatisation industrielle – Automation markup language –
Partie 1: Architecture et exigences générales**

INTERNATIONAL
ELECTROTECHNICAL
COMMISSION

COMMISSION
ELECTROTECHNIQUE
INTERNATIONALE

ICS 25.040.40; 35.060; 35.240.50

ISBN 978-2-8322-5521-6

**Warning! Make sure that you obtained this publication from an authorized distributor.
Attention! Veuillez vous assurer que vous avez obtenu cette publication via un distributeur agréé.**

CONTENTS

| | |
|--|----|
| FOREWORD..... | 7 |
| INTRODUCTION..... | 9 |
| 1 Scope..... | 11 |
| 2 Normative references | 11 |
| 3 Terms, definitions and abbreviations | 12 |
| 3.1 Terms and definitions..... | 12 |
| 3.2 Abbreviations..... | 14 |
| 4 Conformity..... | 5 |
| 5 AML architecture specification | 15 |
| 5.1 General..... | 15 |
| 5.2 General AML architecture | 15 |
| 5.3 Sub document versions and AML superior document information | 16 |
| 5.4 Meta information about the AML source tool | 17 |
| 5.5 AML relations specification | 18 |
| 5.5.1 General | 18 |
| 5.5.2 Class-instance-relations | 18 |
| 5.5.3 Instance-instance-relations..... | 18 |
| 5.5.4 Identification of objects..... | 20 |
| 5.6 AML document reference specification..... | 20 |
| 5.6.1 General | 20 |
| 5.6.2 Referencing COLLADA documents | 20 |
| 5.6.3 Referencing PLCopen XML documents..... | 20 |
| 5.6.4 Referencing additional documents in the scope of IEC 62714 (all parts) | 20 |
| 5.6.5 Referencing documents outside of the scope of IEC 62714 (all parts)..... | 20 |
| 5.6.6 Referencing CAEX attributes to items in external documents..... | 21 |
| 6 AML base libraries..... | 21 |
| 6.1 General..... | 21 |
| 6.2 General provisions | 21 |
| 6.3 AML interface class library – AutomationMLInterfaceClassLib..... | 22 |
| 6.3.1 General..... | 22 |
| 6.3.2 InterfaceClass AutomationMLBaseInterface..... | 24 |
| 6.3.3 InterfaceClass Order | 24 |
| 6.3.4 InterfaceClass Port..... | 25 |
| 6.3.5 InterfaceClass PPRConnector | 25 |
| 6.3.6 InterfaceClass ExternalDataConnector | 26 |
| 6.3.7 InterfaceClass COLLADAInterface | 26 |
| 6.3.8 InterfaceClass PLCopenXMLInterface | 27 |
| 6.3.9 InterfaceClass ExternalDataReference | 27 |
| 6.3.10 InterfaceClass Communication | 27 |
| 6.3.11 InterfaceClass SignalInterface | 28 |
| 6.4 AML basic role class library – AutomationMLBaseRoleClassLib..... | 28 |
| 6.4.1 General | 28 |
| 6.4.2 RoleClass AutomationMLBaseRole..... | 30 |
| 6.4.3 RoleClass Group | 31 |
| 6.4.4 RoleClass Facet | 31 |
| 6.4.5 RoleClass Resource | 31 |

| | | |
|-----------------------|---|----|
| 6.4.6 | RoleClass Product | 32 |
| 6.4.7 | RoleClass Process | 32 |
| 6.4.8 | RoleClass Structure | 33 |
| 6.4.9 | RoleClass ProductStructure | 33 |
| 6.4.10 | RoleClass ProcessStructure | 34 |
| 6.4.11 | RoleClass ResourceStructure | 34 |
| 6.4.12 | RoleClass ExternalData | 34 |
| 6.5 | AML basic attribute type library | 35 |
| 6.5.1 | General | 35 |
| 6.5.2 | Attributes of the AutomationMLBaseAttributeTypeLib | 36 |
| 7 | Modelling of user-defined data | 39 |
| 7.1 | General | 39 |
| 7.2 | User-defined attributes | 39 |
| 7.3 | User-defined AttributeTypes | 39 |
| 7.4 | User-defined InterfaceClasses | 40 |
| 7.5 | User-defined RoleClasses | 41 |
| 7.6 | User-defined SystemUnitClasses | 42 |
| 7.7 | User-defined InstanceHierarchies | 43 |
| 8 | Extended AML concepts | 44 |
| 8.1 | General overview | 44 |
| 8.2 | AML Port interface | 44 |
| 8.3 | AML Facet object | 44 |
| 8.4 | AML Group object | 45 |
| 8.5 | Splitting of AML top-level data into different documents | 45 |
| 8.6 | Internationalization, AML multilingual expression | 45 |
| 8.7 | Version information of AML objects | 46 |
| 8.8 | Modelling of structured attribute lists or arrays | 46 |
| 8.9 | AML Container | 46 |
| Annex A (informative) | General introduction into the Automation Markup Language | 48 |
| A.1 | General Automation Markup Language concepts | 48 |
| A.1.1 | The Automation Markup Language architecture | 48 |
| A.1.2 | Modelling of plant topology information | 49 |
| A.1.3 | Referencing geometry and kinematics information | 51 |
| A.1.4 | Referencing logic information | 51 |
| A.1.5 | Referencing documents outside of the scope of IEC 62714 | 52 |
| A.1.6 | Interlinking CAEX attributes and attributes in external documents | 53 |
| A.1.7 | Modelling of relations | 54 |
| A.2 | Extended AML concepts and examples | 57 |
| A.2.1 | General overview | 57 |
| A.2.2 | AML Port concept | 57 |
| A.2.3 | AML Facet concept | 60 |
| A.2.4 | AML Group concept | 62 |
| A.2.5 | Process-Product-Resource concept | 66 |
| A.2.6 | AML multilingual expression concept | 74 |
| A.2.7 | Attribute lists and arrays | 75 |
| Annex B (informative) | XML representation of standard AML base libraries | 79 |
| Bibliography | | 81 |

| | |
|--|----|
| Figure 1 – Overview of the engineering data exchange format AML | 9 |
| Figure 2 – AML document version information | 17 |
| Figure 3 – XML text of the AML source tool information | 17 |
| Figure 4 – Example of a relation as block diagram and as object tree | 19 |
| Figure 5 – Example relation between the objects “PLC1” and “Rob1” | 19 |
| Figure 6 – XML text of the example relation between the objects “PLC1” and “Rob1” | 19 |
| Figure 7 – AML basic interface class library | 23 |
| Figure 8 – XML description of the AML basic interface class library | 24 |
| Figure 9 – AML basic role class library | 29 |
| Figure 10 – AutomationMLBaseRoleClassLib | 30 |
| Figure 11 – XML text of the AutomationMLBaseRoleClassLib | 30 |
| Figure 12 – AML basic attribute type library | 35 |
| Figure 13 – XML text of the AutomationMLBaseAttributeTypeLib | 36 |
| Figure 14 – Example of a user-defined attribute | 39 |
| Figure 15 – Examples for user-defined AttributeTypes | 40 |
| Figure 16 – XML code of the examples for user-defined AttributeTypes | 40 |
| Figure 17 – Example of a user-defined InterfaceClass in a user-defined InterfaceClassLib | 41 |
| Figure 18 – XML code of the example of a user-defined InterfaceClass in a user-defined InterfaceClassLib | 41 |
| Figure 19 – Example of a user-defined RoleClass in a user-defined RoleClassLib | 42 |
| Figure 20 – XML code of the example of a user-defined RoleClass in a user-defined RoleClassLib | 42 |
| Figure 21 – Examples for different user-defined SystemUnitClasses | 42 |
| Figure 22 – XML code of the examples for different user-defined SystemUnitClasses | 43 |
| Figure 23 – Example of a user-defined InstanceHierarchy | 43 |
| Figure 24 – AML representation of a user-defined InstanceHierarchy | 44 |
| Figure A.1 – AML general architecture | 48 |
| Figure A.2 – Plant topology with AML | 50 |
| Figure A.3 – Reference from CAEX to a COLLADA document | 51 |
| Figure A.4 – Reference from a CAEX to a PLCopen XML document | 51 |
| Figure A.5 – Example of referencing an external document | 52 |
| Figure A.6 – XML text of the example for referencing an external document | 52 |
| Figure A.7 – Example of referencing a CAEX attribute to an item in an external document | 53 |
| Figure A.8 – XML text of the example for referencing a CAEX attribute to an item in an external document | 54 |
| Figure A.9 – Relations in AML | 55 |
| Figure A.10 – XML description of the relations example | 56 |
| Figure A.11 – XML text of the SystemUnitClassLib of the relations example | 56 |
| Figure A.12 – XML text of the InstanceHierarchy of the relations example | 57 |
| Figure A.13 – Port concept | 58 |
| Figure A.14 – Example describing the AML Port concept | 58 |
| Figure A.15 – XML description of the AML Port concept | 59 |
| Figure A.16 – XML text describing the AML Port concept | 60 |

| | |
|--|----|
| Figure A.17 – Definition of a user-defined AML Port class “UserDefinedPort” | 60 |
| Figure A.18 – AML Facet example | 61 |
| Figure A.19 – XML text of the AML Facet example | 62 |
| Figure A.20 – AML Group example | 63 |
| Figure A.21 – XML text for the AML Group example | 63 |
| Figure A.22 – Combination of the Facet and Group concept | 64 |
| Figure A.23 – XML text view for the combined Facet-Group example | 65 |
| Figure A.24 – Generic HMI template “B” visualizing a process variable “Y” of a conveyor | 66 |
| Figure A.25 – Generated HMI result “B” visualizing both conveyors with individual process variables | 66 |
| Figure A.26 – Base elements of the Product-Process-Resource concept | 67 |
| Figure A.27 – PPRConnector interface | 67 |
| Figure A.28 – Example for the Product-Process-Resource concept | 68 |
| Figure A.29 – AML roles required for the Process-Product-Resource concept | 68 |
| Figure A.30 – Elements of the example | 69 |
| Figure A.31 – Links within the example | 69 |
| Figure A.32 – Links of the resource centric view on the example | 70 |
| Figure A.33 – InstanceHierarchy of the example in AML | 71 |
| Figure A.34 – InternalElements of the example | 72 |
| Figure A.35 – InternalLinks of the example | 72 |
| Figure A.36 – InstanceHierarchy of the example in XML | 73 |
| Figure A.37 – Example describing the AML multilingual expression concept | 74 |
| Figure A.38 – XML description of the AML multilingual expression concept | 74 |
| Figure A.39 – XML text describing the AML multilingual expression concept | 74 |
| Figure A.40 – AML model of a multilingual AttributeType | 75 |
| Figure A.41 – XML code of the a multilingual AttributeType | 75 |
| Figure A.42 – Attribute list “SupportedFrequencies” | 76 |
| Figure A.43 – XML code for the attribute list “SupportedFrequencies” | 76 |
| Figure A.44 – Example C. EX model of the array “Edges” | 77 |
| Figure A.45 – XML code for the attribute array “Edges” | 78 |
| Figure B.1 – XML text of the standard AML interface class library, role class library and attribute type library | 80 |
| Table 1 – Abbreviations | 15 |
| Table 2 – Interface classes of the AutomationMLInterfaceClassLib | 22 |
| Table 3 – InterfaceClass AutomationMLBaseInterface | 24 |
| Table 4 – InterfaceClass Order | 25 |
| Table 5 – Optional attributes for AML Port interfaces | 25 |
| Table 6 – InterfaceClass PPRConnector | 26 |
| Table 7 – InterfaceClass ExternalDataConnector | 26 |
| Table 8 – InterfaceClass COLLADAInterface | 26 |
| Table 9 – InterfaceClass PLCopenXMLInterface | 27 |
| Table 10 – InterfaceClass ExternalDataReference | 27 |

| | |
|---|----|
| Table 11 – InterfaceClass Communication | 28 |
| Table 12 – InterfaceClass SignalInterface..... | 28 |
| Table 13 – RoleClass AutomationMLBaseRole | 31 |
| Table 14 – RoleClass Group | 31 |
| Table 15 – RoleClass Facet..... | 31 |
| Table 16 – RoleClass Resource..... | 32 |
| Table 17 – RoleClass Product..... | 32 |
| Table 18 – RoleClass Process | 33 |
| Table 19 – RoleClass Structure | 33 |
| Table 20 – RoleClass ProductStructure | 33 |
| Table 21 – RoleClass ProcessStructure | 34 |
| Table 22 – RoleClass ResourceStructure..... | 34 |
| Table 23 – RoleClass ExternalData..... | 34 |
| Table 24 – Attribute Types of the AutomationMLBaseAttributeTypeLib..... | 36 |
| Table 25 – Sub-attributes of the attribute “Cardinality” | 38 |
| Table 26 – Sub-attributes of the attribute “AssociatedValue”..... | 38 |
| Table A.1 – Overview of major extended AML concepts | 57 |

Currently in preview, click buy full version

INTERNATIONAL ELECTROTECHNICAL COMMISSION

**ENGINEERING DATA EXCHANGE FORMAT FOR USE IN
INDUSTRIAL AUTOMATION SYSTEMS ENGINEERING –
AUTOMATION MARKUP LANGUAGE –****Part 1: Architecture and general requirements**

FOREWORD

- 1) The International Electrotechnical Commission (IEC) is a worldwide organization for standardization, comprising all national electrotechnical committees (IEC National Committees). The object of IEC is to promote international co-operation on all questions concerning standardization in the electrical and electronic fields. To this end and in addition to other activities, IEC publishes International Standards, Technical Specifications, Technical Reports, Publicly Available Specifications (PAS) and Guides (hereafter referred to as "IEC Publication(s)"). Their preparation is entrusted to technical committees; any IEC National Committee interested in the subject dealt with may participate in this preparatory work. International, governmental and non-governmental organizations liaising with the IEC also participate in this preparation. IEC collaborates closely with the International Organization for Standardization (ISO) in accordance with the conditions determined by agreement between the two organizations.
- 2) The formal decisions or agreements of IEC on technical matters express, as nearly as possible, an international consensus of opinion on the relevant subjects since each technical committee has representation from all interested IEC National Committees.
- 3) IEC Publications have the form of recommendations for international use and are accepted by IEC National Committees in that sense. While all reasonable efforts are made to ensure that the technical content of IEC Publications is accurate, IEC cannot be held responsible for the way in which they are used or for any misinterpretation by any end user.
- 4) In order to promote international uniformity, IEC National Committees undertake to apply IEC Publications transparently to the maximum extent possible in their national and regional publications. Any divergence between any IEC Publication and the corresponding national or regional publication shall be clearly indicated in the latter.
- 5) IEC itself does not provide any attestation of conformity. Independent certification bodies provide conformity assessment services and, in some areas, issue to IEC marks of conformity. IEC is not responsible for any services carried out by independent certification bodies.
- 6) All users should ensure that they have the latest edition of this publication.
- 7) No liability shall attach to IEC or its directors, employees, servants or agents including individual experts and members of its technical committees and IEC National Committees for any personal injury, property damage or other damage of any nature whatsoever, whether direct or indirect, or for costs (including legal fees) and expenses arising out of the publication, use of, or reliance upon, this IEC Publication or any other IEC Publications.
- 8) Attention is drawn to the normative references cited in this publication. Use of the referenced publications is indispensable for the correct application of this publication.
- 9) Attention is drawn to the possibility that some of the elements of this IEC Publication may be the subject of patent rights. IEC shall not be held responsible for identifying any or all such patent rights.

International standard IEC 62714-1 has been prepared by subcommittee 65E: Devices and integration in enterprise systems, of IEC technical committee 65: Industrial-process measurement, control and automation.

This second edition cancels and replaces the first edition published in 2014. This edition constitutes a technical revision.

This edition includes the following significant technical changes with respect to the previous edition:

- a) use of CAEX 3.0 according to IEC 62424:2016 which provides technical improvements as attribute libraries, nested interfaces, new fields for indicating the source of an object, a refinement of the mirror concept and native support of multiple roles, native meta information about the CAEX file source tool, identification of instances via unique IDs instead of paths, etc.,

- b) improved modelling of references to documents outside of the scope of the present standard,
- c) modelling of references between CAEX attributes and items in external documents, e.g. within an Excel sheet,
- d) revised role libraries,
- e) modified Port concept,
- f) modelling of multilingual expressions,
- g) modelling of structured attribute lists or array,
- h) a new AML container format,
- i) a new standard AML attribute library.

The text of this International Standard is based on the following documents:

| FDIS | Report on voting |
|--------------|------------------|
| 65E/582/FDIS | 65E/586/RVD |

Full information on the voting for the approval of this International Standard can be found in the report on voting indicated in the above table.

This document has been drafted in accordance with the ISO/IEC Directives, Part 2.

A list of all parts in the IEC 62714 series, published under the general title *Engineering data exchange format for use in industrial automation systems engineering – Automation markup language*, can be found on the IEC website.

The committee has decided that the contents of this document will remain unchanged until the stability date indicated on the IEC website under "<http://webstore.iec.ch>" in the data related to the specific document. At this date, the document will be

- reconfirmed,
- withdrawn,
- replaced by a revised edition, or
- amended.

IMPORTANT – The 'four inside' logo on the cover page of this publication indicates that it contains colours which are considered to be useful for the correct understanding of its contents. Users should therefore print this document using a colour printer.

INTRODUCTION

IEC 62714 is a solution for data exchange focusing on the domain of automation engineering.

The data exchange format defined in the IEC 62714 series (Automation Markup Language, AML) is an XML schema based data format for plant engineering data. AML has been developed in order to support the data exchange in a heterogeneous engineering tools landscape. The goal of AML is to interconnect engineering tools in their different disciplines, e.g. mechanical plant engineering, electrical design, process engineering, process control engineering, HMI development, PLC programming, robot programming, etc. The application of IEC 62714 is industry independent. It is applicable in all industries that require data exchange in their engineering tool chain, e.g. in discrete industry or process industry.

AML stores engineering information following the object-oriented paradigm and allows modelling of physical and logical plant components as data objects encapsulating different aspects. An object may consist of other sub-objects, and can itself be part of a larger composition or aggregation. Typical objects in plant automation comprise information on topology, geometry, kinematics and logic, whereas logic comprises sequencing, behaviour and control. Therefore, an important focus in the data exchange in engineering is the exchange of object oriented data structures, geometry, kinematics and logic.

AML combines existing industry data formats that are designed for the storage and exchange of different aspects of engineering information. These data formats are used on an “as-is” basis within their own specifications and are not branched for AML needs.

The core of AML is the top-level data format CAEX. CAEX is utilized to interconnect the different data formats. Therefore, AML has an inherent distributed document architecture.

Figure 1 illustrates the basic AML architecture and the distribution of topology, geometry, kinematics and logic information.

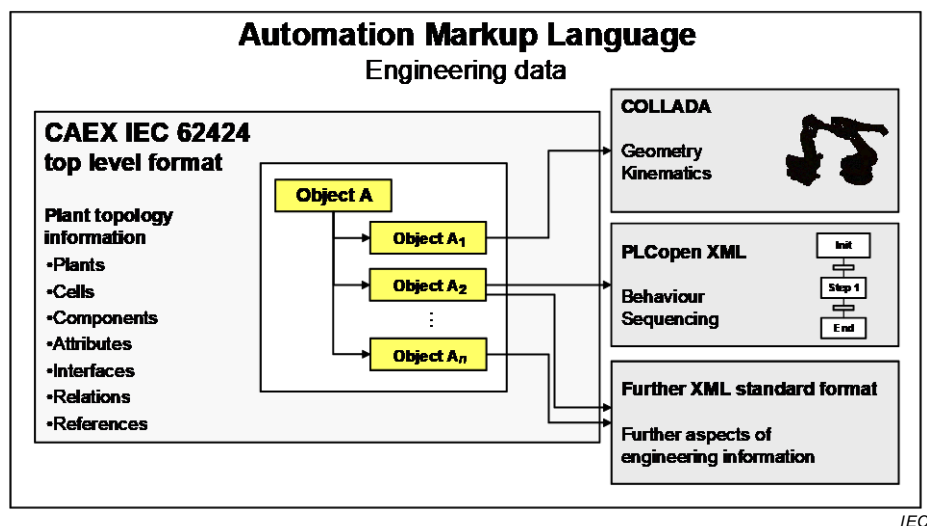


Figure 1 – Overview of the engineering data exchange format AML

Due to the different aspects of AML, the IEC 62714 series consists of different parts focusing on different aspects:

- IEC 62714-1: Architecture and general requirements

This part specifies the general AML architecture, the modelling of engineering data, classes, instances, relations, references, hierarchies, basic AML libraries and extended AML concepts. It is the basis of all future parts, and it provides mechanisms to reference other subformats.

- IEC 62714-2: Role class libraries
This part specifies additional AML libraries.
- IEC 62714-3: Geometry and kinematics
This part specifies the modelling of geometry and kinematics information.
- IEC 62714-4¹: Logic
This part specifies the modelling of logics, sequencing, behaviour and control related information.

Further parts will be added in the future in order to interconnect further data standards to AML.

As long as no further parts describe the integration of further standards, it is important to focus on a limited set of sub data formats. Otherwise, it would open up the usage of any data format and data exchange would not work.

Clause 1 defines the scope for IEC 62714.

Clause 2 provides normative references.

Clause 3 provides terms, definitions and abbreviations.

Clause 4 defines the conformity to IEC 62714.

Clause 5 describes general architecture specifications for IEC 62714.

Clause 6 defines the basic AML libraries.

Clause 7 describes how to model user-defined data.

Clause 8 describes extended AML concepts.

Annex A gives an informative introduction, use cases and examples regarding AML.

Annex B gives an informative XML representation of the libraries defined in this part of IEC 62714.

¹ Under consideration.

ENGINEERING DATA EXCHANGE FORMAT FOR USE IN INDUSTRIAL AUTOMATION SYSTEMS ENGINEERING – AUTOMATION MARKUP LANGUAGE –

Part 1: Architecture and general requirements

1 Scope

This part of IEC 62714 specifies general requirements and the architecture of automation markup language (AML) for the modelling of engineering information, which is exchanged between engineering tools for industrial automation and control systems. Its provisions apply to the export/import applications of related tools.

This part of IEC 62714 does not define details of the data exchange procedure or implementation requirements for the import/export tools.

2 Normative references

The following documents are referred to in the text in such a way that some or all of their content constitutes requirements of this document. For dated references, only the edition cited applies. For undated references, the latest edition of the referenced document (including any amendments) applies.

IEC 62424:2016, *Representation of process control engineering – Requests in P&I diagrams and data exchange between P&ID tools and PCE-CAE tools*

IEC 62714 (all parts), *Engineering data exchange format for use in industrial automation systems engineering – Automation markup language*

ISO/PAS 17506, *Industrial automation systems and integration – COLLADA digital asset schema specification for 3D visualization of industrial data*

ISO/IEC 29500-2, *Information technology – Document description and processing languages – Office Open XML File Formats – Part 2: Open Packaging Conventions*

IETF RFC 2046, *Multipurpose Internet Mail Extensions (MIME) Part Two: Media Types* [viewed 2017-11-13]. Available at <<http://www.ietf.org>>

IETF RFC 4122, *A Universally Unique Identifier (UUID) URN Namespace* [viewed 2017-11-13]. Available at <<http://www.ietf.org>>

IETF RFC 5646, *Tags for Identifying Languages* [viewed 2017-11-13]. Available at <<http://www.ietf.org>>

COLLADA 1.4.1:March 2008, *COLLADA – Digital Asset Schema Release 1.4.1* [viewed 2017-11-13]. Available at <http://www.khronos.org/files/collada_spec_1_4.pdf>

PLCopen XML 2.0:December 3rd 2008 and PLCopen XML 2.0.1:May 8th 2009, *XML formats for IEC 61131-3* [viewed 2017-11-13]. Available at <<http://www.plcopen.org>>