

INTERNATIONAL STANDARD



Semiconductor devices – Micro-electromechanical devices
Part 27: Bond strength test for glass frit bonded structures using micro-chevron-
tests (MCT)



THIS PUBLICATION IS COPYRIGHT PROTECTED
Copyright © 2017 IEC, Geneva, Switzerland

All rights reserved. Unless otherwise specified, no part of this publication may be reproduced or utilized in any form or by any means, electronic or mechanical, including photocopying and microfilm, without permission in writing from either IEC or IEC's member National Committee in the country of the requester. If you have any questions about IEC copyright or have an enquiry about obtaining additional rights to this publication, please contact the address below or your local IEC member National Committee for further information.

IEC Central Office
3, rue de Varembe
CH-1211 Geneva 20
Switzerland

Tel.: +41 22 919 02 11
Fax: +41 22 919 03 00
info@iec.ch
www.iec.ch

About the IEC

The International Electrotechnical Commission (IEC) is the leading global organization that prepares and publishes International Standards for all electrical, electronic and related technologies.

About IEC publications

The technical content of IEC publications is kept under constant review by the IEC. Please make sure that you have the latest edition, a corrigenda or an amendment might have been published.

IEC Catalogue - webstore.iec.ch/catalogue

The stand-alone application for consulting the entire bibliographical information on IEC International Standards, Technical Specifications, Technical Reports and other documents. Available for PC, Mac OS, Android Tablets and iPad.

IEC publications search - www.iec.ch/searchpub

The advanced search enables to find IEC publications by a variety of criteria (reference number, text, technical committee,...). It also gives information on projects, replaced and withdrawn publications.

IEC Just Published - webstore.iec.ch/justpublished

Stay up to date on all new IEC publications. Just Published details all new publications released. Available online and also once a month by email.

Electropedia - www.electropedia.org

The world's leading online dictionary of electronic and electrical terms containing 20 000 terms and definitions in English and French, with equivalent terms in 16 additional languages. Also known as the International Electrotechnical Vocabulary (IEV) online.

IEC Glossary - www.iec.ch/glossary

65 000 electrotechnical terminology entries in English and French extracted from the Terms and Definitions clause of IEC publications issued since 2002. Some entries have been collected from earlier publications of IEC TC 37, 77, 86 and CISPR.

IEC Customer Service Centre - webstore.iec.ch/csc

If you wish to give us your feedback on this publication or need further assistance, please contact the Customer Service Centre: csc@iec.ch.

INTERNATIONAL STANDARD



Semiconductor devices – Micro-electromechanical devices
Part 27: Bond strength test for glass frit bonded structures using micro-chevron-
tests (MCT)

INTERNATIONAL
ELECTROTECHNICAL
COMMISSION

ICS 31.080.99

ISBN 978-2-8322-3831-8

Warning! Make sure that you obtained this publication from an authorized distributor.

CONTENTS

FOREWORD.....	3
INTRODUCTION.....	5
1 Scope.....	6
2 Normative references	7
3 Terms, definitions, symbols and abbreviated terms.....	7
3.1 Terms and definitions.....	7
3.2 Symbols and abbreviated terms	7
4 Principle	7
5 Test setup	8
5.1 General.....	8
5.2 Actuator	8
5.3 Force transducers	8
5.4 Mounting.....	8
5.5 Data acquisition	8
6 Specimens.....	9
6.1 Sample design	9
6.2 Determination and verification of the specimen geometry.....	11
7 Conduction of the test.....	11
8 Test parameter	12
8.1 Test velocity	12
8.2 Specimen alignment.....	13
8.3 Environmental conditions	13
9 Analysis and evaluation.....	13
9.1 General requirements for test series	13
9.2 Valid test	13
9.3 Calculation of the fracture toughness of the glass frit connection	14
9.4 Statistical evaluation	15
10 Test report.....	15
Bibliography.....	16
Figure 1 – Test setup of the micro-chevron-test	6
Figure 2 – Standard geometry design of glass frit specimen.....	10
Figure 3 – Design of the load application elements	11
Figure 4 – Permissible deviation for stud application.....	12
Figure 5 – Connection of the free sample parts as a result of the application of the applied force initiation elements.....	12
Figure 6 – Exemplary measurement graph of a valid attempt	14
Table 1 – Geometry factors in relation to substrate thickness	14

INTERNATIONAL ELECTROTECHNICAL COMMISSION

**SEMICONDUCTOR DEVICES –
MICRO-ELECTROMECHANICAL DEVICES**

**Part 27: Bond strength test for glass frit bonded
structures using micro-chevron-tests (MCT)**

FOREWORD

- 1) The International Electrotechnical Commission (IEC) is a worldwide organization for standardization comprising all national electrotechnical committees (IEC National Committees). The object of IEC is to promote international co-operation on all questions concerning standardization in the electrical and electronic fields. To this end and in addition to other activities, IEC publishes International Standards, Technical Specifications, Technical Reports, Publicly Available Specifications (PAS) and Guides (hereafter referred to as "IEC Publication(s)"). Their preparation is entrusted to technical committees; any IEC National Committee interested in the subject dealt with may participate in this preparatory work. International, governmental and non-governmental organizations liaising with the IEC also participate in this preparation. IEC collaborates closely with the International Organization for Standardization (ISO) in accordance with conditions determined by agreement between the two organizations.
- 2) The formal decisions or agreements of IEC on technical matters express, as nearly as possible, an international consensus of opinion on the relevant subjects since each technical committee has representation from all interested IEC National Committees.
- 3) IEC Publications have the form of recommendations for international use and are accepted by IEC National Committees in that sense. While all reasonable efforts are made to ensure that the technical content of IEC Publications is accurate, IEC cannot be held responsible for the way in which they are used or for any misinterpretation by any end user.
- 4) In order to promote international uniformity, IEC National Committees undertake to apply IEC Publications transparently to the maximum extent possible in their national and regional publications. Any divergence between any IEC Publication and the corresponding national or regional publication shall be clearly indicated in the latter.
- 5) IEC itself does not provide any attestation of conformity. Independent certification bodies provide conformity assessment services and, in some areas, accept IEC marks of conformity. IEC is not responsible for any services carried out by independent certification bodies.
- 6) All users should ensure that they have the latest edition of this publication.
- 7) No liability shall attach to IEC or its directors, employees, servants or agents including individual experts and members of its technical committees and IEC National Committees for any personal injury, property damage or other damage of any nature whatsoever, whether direct or indirect, or for costs (including legal fees) and expenses arising out of the publication, use of, or reliance upon, this IEC Publication or any other IEC Publications.
- 8) Attention is drawn to the normative references cited in this publication. Use of the referenced publications is indispensable for the correct application of this publication.
- 9) Attention is drawn to the possibility that some of the elements of this IEC Publication may be the subject of patent rights. IEC shall not be held responsible for identifying any or all such patent rights.

International Standard IEC 62047-27 has been prepared by subcommittee 47F: Microelectromechanical systems, of IEC technical committee 47: Semiconductor devices.

The text of this standard is based on the following documents:

CDV	Report on voting
47F/230A/CDV	47F/259/RVC

Full information on the voting for the approval of this International Standard can be found in the report on voting indicated in the above table.

This document has been drafted in accordance with the ISO/IEC Directives, Part 2.

A list of all parts in the IEC 62047 series, published under the general title *Semiconductor devices – Micro-electromechanical devices*, can be found on the IEC website.

The committee has decided that the contents of this document will remain unchanged until the stability date indicated on the IEC website under "<http://webstore.iec.ch>" in the data related to the specific document. At this date, the document will be

- reconfirmed,
- withdrawn,
- replaced by a revised edition, or
- amended.

A bilingual version of this publication may be issued at a later date.

IMPORTANT – The 'colour inside' logo on the cover page of this publication indicates that it contains colours which are considered to be useful for the correct understanding of its contents. Users should therefore print this document using a colour printer.

INTRODUCTION

MEMS devices, e.g. for automotive applications, have to ensure lifecycles of up to 15 years or more. In order to guarantee functionality and reliability of the used interconnection technologies, qualified test methods are required for evaluating the quality and strength of the bonding interfaces. One of the preferred interconnection technologies for MEMS encapsulation is glass frit bonding, using an additional intermediate bond layer.

The micro-chevron-test is an experimental method to determine the fracture toughness of brittle materials or bond interfaces using specifically designed test chips (micro-chevron-samples) under defined load conditions. It was established for characterizing the strength of wafer bonds without additional intermediate bond layers. By analysis of test results from a series of tests at the Fraunhofer Institute for Mechanics of Materials and the Fraunhofer Institute for Electronic Nano Systems with different geometry and layout of the test probes, the micro-chevron-test was established for the bonding reliability of glass frit bonded devices as well.

SEMICONDUCTOR DEVICES – MICRO-ELECTROMECHANICAL DEVICES

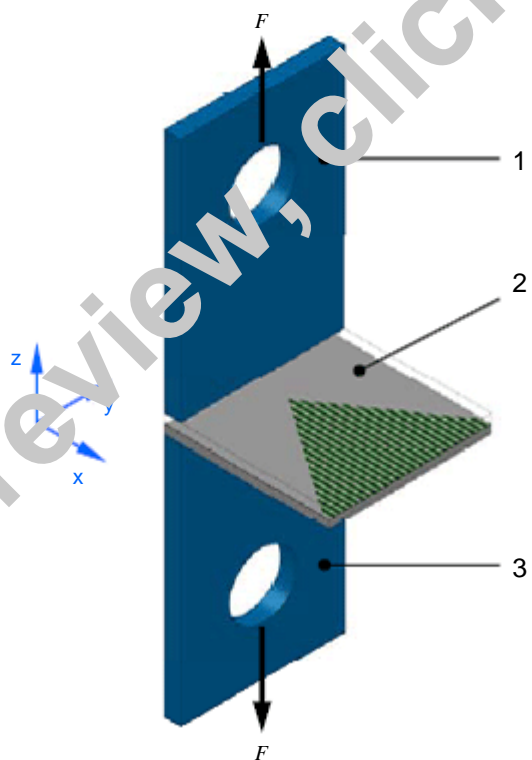
Part 27: Bond strength test for glass frit bonded structures using micro-chevron-tests (MCT)

1 Scope

This part of IEC 62047 specifies a method for assessing the bond strength of glass frit bonded structures using micro-chevron-tests (MCT). It describes suitable sample geometry and provides guidance for the design of deviating sample geometries.

The micro-chevron-test is an experimental method to determine the fracture toughness K_{IC} of brittle materials or bond interfaces using specifically designed test chips (micro-chevron-samples) under defined load conditions (crack opening mode I). Owing to its high precision and low variance, it is suitable for analysing the influence of different process parameters on bond strength as well as for quality assurance.

The exemplary setup of the micro-chevron-test is given in Figure 1.



IEC

Key

- 1 upper glued stud for application of tensile force
- 2 micro-chevron-test sample with patterned glass-frit-interface
- 3 lower glued stud for application of tensile force
- F applied force

Figure 1 – Test setup of the micro-chevron-test