

# INTERNATIONAL STANDARD

## NORME INTERNATIONALE



**Devices and integration in enterprise systems – Function blocks (FB) for process control and electronic device description language (EDDL) – Part 3: EDDL syntax and semantics**

**Les dispositifs et leur intégration dans les systèmes de l'entreprise – Blocs fonctionnels (FB) pour les procédés industriels et le langage de description électronique de produit (EDDL) – Partie 3: Sémantique et syntaxe EDDL**



## THIS PUBLICATION IS COPYRIGHT PROTECTED

Copyright © 2020 IEC, Geneva, Switzerland

All rights reserved. Unless otherwise specified, no part of this publication may be reproduced or utilized in any form or by any means, electronic or mechanical, including photocopying and microfilm, without permission in writing from either IEC or IEC's member National Committee in the country of the requester. If you have any questions about IEC copyright or have an enquiry about obtaining additional rights to this publication, please contact the address below or your local IEC member National Committee for further information.

Droits de reproduction réservés. Sauf indication contraire, aucune partie de cette publication ne peut être reproduite ni utilisée sous quelque forme que ce soit et par aucun procédé, électronique ou mécanique, y compris la photocopie et les microfilms, sans l'accord écrit de l'IEC ou du Comité national de l'IEC du pays du demandeur. Si vous avez des questions sur le copyright de l'IEC ou si vous désirez obtenir des droits supplémentaires sur cette publication, utilisez les coordonnées ci-après ou contactez le Comité national de l'IEC de votre pays de résidence.

IEC Central Office  
3, rue de Varembe  
CH-1211 Geneva 20  
Switzerland

Tel.: +41 22 919 02 11  
[info@iec.ch](mailto:info@iec.ch)  
[www.iec.ch](http://www.iec.ch)

### About the IEC

The International Electrotechnical Commission (IEC) is the leading global organization that prepares and publishes International Standards for all electrical, electronic and related technologies.

### About IEC publications

The technical content of IEC publications is kept under constant review by the IEC. Please make sure that you have the latest edition, a corrigendum or an amendment might have been published.

#### IEC publications search - [webstore.iec.ch/advsearchform](http://webstore.iec.ch/advsearchform)

The advanced search enables to find IEC publications by a variety of criteria (reference number, text, technical committee,...). It also gives information on projects, replaced and withdrawn publications.

#### IEC Just Published - [webstore.iec.ch/justpublished](http://webstore.iec.ch/justpublished)

Stay up to date on all new IEC publications. Just Published details all new publications released. Available online and once a month by email.

#### IEC Customer Service Centre - [webstore.iec.ch/csc](http://webstore.iec.ch/csc)

If you wish to give us your feedback on this publication or need further assistance, please contact the Customer Service Centre: [sales@iec.ch](mailto:sales@iec.ch).

#### Electropedia - [www.electropedia.org](http://www.electropedia.org)

The world's leading online dictionary on electrotechnology, containing more than 22 000 terminological entries in English and French, with equivalent terms in 16 additional languages. Also known as the International Electrotechnical Vocabulary (IEV) online.

#### IEC Glossary - [std.iec.ch/glossary](http://std.iec.ch/glossary)

67 000 electrotechnical terminology entries in English and French extracted from the Terms and Definitions clause of IEC publications issued since 2002. Some entries have been collected from earlier publications of IEC TC 37, 77, 86 and CISPR.

---

### A propos de l'IEC

La Commission Electrotechnique Internationale (IEC) est la première organisation mondiale qui élabore et publie des Normes internationales pour tout ce qui a trait à l'électricité, à l'électronique et aux technologies apparentées.

### A propos des publications IEC

Le contenu technique des publications IEC est constamment revu. Veuillez vous assurer que vous possédez l'édition la plus récente, un corrigendum ou amendement peut avoir été publié.

#### Recherche de publications IEC -

[webstore.iec.ch/advsearchform](http://webstore.iec.ch/advsearchform)

La recherche avancée permet de trouver des publications IEC en utilisant différents critères (numéro de référence, texte, comité d'études,...). Elle donne aussi des informations sur les projets et les publications remplacées ou retirées.

#### IEC Just Published - [webstore.iec.ch/justpublished](http://webstore.iec.ch/justpublished)

Restez informé sur les nouvelles publications IEC. Just Published détaille les nouvelles publications parues. Disponible en ligne et une fois par mois par email.

#### Service Clients - [webstore.iec.ch/csc](http://webstore.iec.ch/csc)

Si vous désirez nous donner des commentaires sur cette publication ou si vous avez des questions contactez-nous: [sales@iec.ch](mailto:sales@iec.ch).

#### Electropedia - [www.electropedia.org](http://www.electropedia.org)

Le premier dictionnaire d'électrotechnologie en ligne au monde, avec plus de 22 000 articles terminologiques en anglais et en français, ainsi que les termes équivalents dans 16 langues additionnelles. Egalement appelé Vocabulaire Electrotechnique International (IEV) en ligne.

#### Glossaire IEC - [std.iec.ch/glossary](http://std.iec.ch/glossary)

67 000 entrées terminologiques électrotechniques, en anglais et en français, extraites des articles Termes et Définitions des publications IEC parues depuis 2002. Plus certaines entrées antérieures extraites des publications des CE 37, 77, 86 et CISPR de l'IEC.

# INTERNATIONAL STANDARD

## NORME INTERNATIONALE



**Devices and integration in enterprise systems – Function blocks (FB) for process control and electronic device description language (EDDL) – Part 3: EDDL syntax and semantics**

**Les dispositifs et leur intégration dans les systèmes de l'entreprise – Blocs fonctionnels (FB) pour les procédés industriels et le langage de description électronique de produit (EDDL) – Partie 3: Sémantique et syntaxe EDDL**

INTERNATIONAL  
ELECTROTECHNICAL  
COMMISSION

COMMISSION  
ELECTROTECHNIQUE  
INTERNATIONALE

ICS 25.040.40; 35.240.50

ISBN 978-2-8322-8468-1

**Warning! Make sure that you obtained this publication from an authorized distributor.  
Attention! Veuillez vous assurer que vous avez obtenu cette publication via un distributeur agréé.**

## CONTENTS

FOREWORD.....	21
INTRODUCTION.....	24
1 Scope.....	25
2 Normative references .....	25
3 Terms, definitions, abbreviated terms and acronyms .....	26
3.1 Terms and definitions.....	26
3.2 Abbreviated terms and acronyms .....	28
4 Conformance statement.....	29
5 EDD and EDDL model .....	29
5.1 Overview of EDD and EDDL.....	29
5.2 EDD architecture .....	29
5.3 Concepts of EDD .....	29
5.4 Principles of the EDD development process.....	30
5.4.1 General .....	30
5.4.2 EDD source generation.....	30
5.4.3 EDD preprocessing.....	31
5.4.4 EDD compilation.....	31
5.5 Interrelations between the lexical structure and formal definitions.....	31
5.6 Builtins.....	31
5.7 Profiles .....	31
6 Conventions .....	31
6.1 General.....	31
6.2 Conventions for basic construct description .....	32
6.3 Conventions for lexical structure .....	32
7 Overview .....	33
7.1 EDDL features .....	33
7.2 Syntax representation .....	34
7.3 EDD language elements .....	34
7.4 Basic construction elements.....	34
7.4.1 General .....	34
7.4.2 AXIS .....	34
7.4.3 BLOB.....	34
7.4.4 BLOCK_A.....	35
7.4.5 BLOCK_B.....	35
7.4.6 CHART.....	35
7.4.7 COLLECTION.....	35
7.4.8 COMMAND.....	36
7.4.9 COMPONENT.....	36
7.4.10 COMPONENT_FOLDER.....	37
7.4.11 COMPONENT_REFERENCE.....	37
7.4.12 COMPONENT_RELATION.....	37
7.4.13 EDIT_DISPLAY .....	38
7.4.14 FILE .....	38
7.4.15 GRAPH.....	38
7.4.16 GRID .....	39
7.4.17 IMAGE.....	39

7.4.18	IMPORT .....	39
7.4.19	INTERFACE .....	39
7.4.20	LIKE .....	39
7.4.21	LIST .....	40
7.4.22	MENU .....	40
7.4.23	METHOD .....	41
7.4.24	PLUGIN .....	41
7.4.25	RECORD .....	41
7.4.26	REFERENCE_ARRAY .....	42
7.4.27	Relations .....	42
7.4.28	RESPONSE_CODES .....	43
7.4.29	SOURCE .....	43
7.4.30	TEMPLATE .....	44
7.4.31	VALUE_ARRAY .....	44
7.4.32	VARIABLE .....	44
7.4.33	VARIABLE_LIST .....	45
7.4.34	WAVEFORM .....	45
7.5	Common attributes .....	46
7.6	Special elements .....	46
7.7	Rules for instances .....	46
7.8	Rules for a list of VARIABLES .....	46
8	EDD identification information .....	47
8.1	General structure .....	47
8.2	DD_REVISION .....	48
8.3	DEVICE_REVISION .....	48
8.4	DEVICE_TYPE .....	49
8.5	EDD_PROFILE .....	49
8.6	EDD_VERSION .....	50
8.7	LAYOUT_TYPE .....	50
8.8	MANUFACTURER .....	50
8.9	MANUFACTURER_EXTENSION .....	51
9	Data modelling .....	51
9.1	VARIABLE .....	51
9.1.1	General structure .....	51
9.1.2	CLASS .....	53
9.1.3	CONSTANT_UNIT .....	56
9.1.4	DEFAULT_VALUE .....	57
9.1.5	INITIAL_VALUE .....	57
9.1.6	POST_EDIT_ACTIONS .....	58
9.1.7	POST_READ_ACTIONS .....	58
9.1.8	POST_READ_UPDATE_ACTIONS .....	59
9.1.9	POST_USERCHANGE_ACTIONS .....	59
9.1.10	POST_WRITE_ACTIONS .....	60
9.1.11	PRE_EDIT_ACTIONS .....	60
9.1.12	PRE_READ_ACTIONS .....	60
9.1.13	PRE_WRITE_ACTIONS .....	61
9.1.14	REFRESH_ACTIONS .....	61
9.1.15	TYPE .....	62
9.2	REFERENCE_ARRAY .....	81

9.2.1	General structure.....	81
9.2.2	ELEMENTS .....	84
9.2.3	item-type .....	84
9.3	VALUE_ARRAY .....	84
9.3.1	General structure.....	84
9.3.2	NUMBER_OF_ELEMENTS .....	85
9.3.3	TYPE.....	86
9.4	LIST.....	87
9.4.1	General structure.....	87
9.4.2	CAPACITY.....	88
9.4.3	COUNT.....	88
9.4.4	TYPE.....	89
9.5	COLLECTION .....	90
9.5.1	General structure.....	90
9.5.2	item-type .....	91
9.6	FILE.....	92
9.6.1	General structure.....	92
9.6.2	IDENTITY .....	93
9.6.3	ON_UPDATE_ACTIONS .....	94
9.6.4	SHARED.....	94
9.7	Relations .....	95
9.7.1	REFRESH .....	95
9.7.2	SEMANTIC_MAP.....	96
9.7.3	UNIT.....	98
9.7.4	WRITE_AS_ONE.....	99
9.8	BLOB.....	100
9.8.1	General structure.....	100
9.8.2	IDENTITY .....	101
10	Communication.....	102
10.1	COMMAND .....	102
10.1.1	General structure.....	102
10.1.2	Command addressing.....	103
10.1.3	API.....	104
10.1.4	BLOCK.....	104
10.1.5	HEADER.....	105
10.1.6	INDEX.....	105
10.1.7	NUMBER.....	105
10.1.8	OPERATION.....	106
10.1.9	SLOT.....	107
10.1.10	SUB_SLOT.....	107
10.1.11	TRANSACTION .....	108
10.2	RECORD .....	114
10.3	RESPONSE_CODES .....	115
10.4	VARIABLE_LIST .....	116
11	User interface.....	117
11.1	MENU.....	117
11.1.1	General structure.....	117
11.1.2	ACCESS.....	118
11.1.3	EXIT_ACTIONS.....	119

11.1.4	INIT_ACTIONS .....	119
11.1.5	ITEMS .....	119
11.1.6	POST_EDIT_ACTIONS .....	121
11.1.7	POST_READ_ACTIONS .....	122
11.1.8	POST_WRITE_ACTIONS .....	122
11.1.9	PRE_EDIT_ACTIONS .....	123
11.1.10	PRE_READ_ACTIONS .....	123
11.1.11	PRE_WRITE_ACTIONS .....	123
11.1.12	STYLE .....	124
11.1.13	Sequence diagrams for actions .....	125
11.2	EDIT_DISPLAY .....	127
11.2.1	General structure .....	127
11.2.2	EDIT_ITEMS .....	127
11.2.3	DISPLAY_ITEMS .....	128
11.2.4	POST_EDIT_ACTIONS .....	128
11.2.5	PRE_EDIT_ACTIONS .....	129
11.3	IMAGE .....	129
11.3.1	General structure .....	129
11.3.2	LINK .....	131
11.3.3	PATH .....	131
11.4	GRID .....	132
11.4.1	General structure .....	132
11.4.2	ORIENTATION .....	134
11.4.3	VECTORS .....	135
11.5	CHART .....	136
11.5.1	General structure .....	136
11.5.2	CYCLE_TIME .....	143
11.5.3	LENGTH .....	144
11.5.4	TYPE .....	144
11.5.5	Sequence diagram for actions .....	146
11.5.6	CHART legend/help rules .....	147
11.6	SOURCE .....	149
11.6.1	General structure .....	149
11.6.2	EXIT_ACTIONS .....	150
11.6.3	INIT_ACTIONS .....	151
11.6.4	REFRESH_ACTIONS .....	151
11.6.5	Y_AXIS .....	152
11.7	AXIS .....	152
11.7.1	General structure .....	152
11.7.2	MIN_VALUE, MAX_VALUE .....	153
11.7.3	SCALING .....	154
11.7.4	CONSTANT_UNIT .....	154
11.8	GRAPH .....	155
11.8.1	General structure .....	155
11.8.2	CYCLE_TIME .....	163
11.8.3	X_AXIS .....	164
11.8.4	Sequence diagram for actions .....	164
11.9	WAVEFORM .....	165
11.9.1	General structure .....	165

11.9.2	EXIT_ACTIONS .....	167
11.9.3	INIT_ACTIONS .....	167
11.9.4	KEY_POINTS .....	168
11.9.5	REFRESH_ACTIONS .....	169
11.9.6	TYPE .....	169
11.9.7	Y_AXIS .....	172
11.10	PLUGIN .....	173
11.10.1	General structure .....	173
11.10.2	UUID .....	173
12	METHODs .....	174
12.1	General structure .....	174
12.2	ACCESS .....	175
12.3	CLASS .....	176
12.4	TYPE .....	177
13	Device modelling .....	178
13.1	BLOCK_A .....	178
13.1.1	General structure .....	178
13.1.2	AXIS_ITEMS .....	180
13.1.3	CHARACTERISTICS .....	181
13.1.4	CHARTS .....	181
13.1.5	CHART_ITEMS .....	182
13.1.6	COLLECTION_ITEMS .....	182
13.1.7	EDIT_DISPLAY_ITEMS .....	182
13.1.8	FILES .....	183
13.1.9	FILE_ITEMS .....	183
13.1.10	GRAPHS .....	183
13.1.11	GRAPH_ITEMS .....	184
13.1.12	GRIDS .....	184
13.1.13	GRID_ITEMS .....	184
13.1.14	IMAGE_ITEMS .....	185
13.1.15	ITEM_ARRAY_ITEMS .....	185
13.1.16	LISTS .....	185
13.1.17	LIST_ITEMS .....	186
13.1.18	LOCAL_PARAMETERS .....	186
13.1.19	MENUS .....	186
13.1.20	MENU_ITEMS .....	187
13.1.21	METHODS .....	187
13.1.22	METHOD_ITEMS .....	188
13.1.23	PARAMETERS .....	188
13.1.24	PARAMETER_LISTS .....	188
13.1.25	PLUGINS .....	189
13.1.26	PLUGIN_ITEMS .....	189
13.1.27	REFRESH_ITEMS .....	190
13.1.28	SEMANTIC_MAP_ITEMS .....	190
13.1.29	SOURCE_ITEMS .....	190
13.1.30	UNIT_ITEMS .....	191
13.1.31	WAVEFORM_ITEMS .....	191
13.1.32	WRITE_AS_ONE_ITEMS .....	191
13.2	BLOCK_B .....	192

13.2.1	General structure.....	192
13.2.2	NUMBER.....	192
13.2.3	TYPE.....	193
13.3	LIKE.....	193
13.4	IMPORT.....	194
13.5	TEMPLATE.....	197
13.5.1	General structure.....	197
13.5.2	DEFAULT_VALUES.....	198
13.6	COMPONENT.....	199
13.6.1	General structure.....	199
13.6.2	BYTE_ORDER.....	200
13.6.3	CAN_DELETE.....	201
13.6.4	CHECK_CONFIGURATION.....	201
13.6.5	COMPONENT_RELATIONS.....	201
13.6.6	CONNECTION_POINT.....	202
13.6.7	DETECT.....	202
13.6.8	EDD.....	202
13.6.9	INITIAL_VALUES.....	203
13.6.10	REDUNDANCY.....	203
13.6.11	SCAN.....	204
13.6.12	SCAN_LIST.....	204
13.6.13	PRODUCT_URI.....	204
13.7	COMPONENT_FOLDER.....	205
13.8	COMPONENT_REFERENCE.....	205
13.9	COMPONENT_RELATION.....	206
13.9.1	General structure.....	206
13.9.2	COMPONENTS.....	207
13.9.3	RELATION_TYPE.....	208
13.9.4	ADDRESSING.....	209
13.9.5	MAXIMUM_NUMBER.....	210
13.9.6	MINIMUM_NUMBER.....	210
13.9.7	REQUIRED_INTERFACE.....	210
13.10	INTERFACE.....	211
13.10.1	General structure.....	211
13.10.2	DECLARATION.....	211
14	Common attributes.....	212
14.1	CLASSIFICATION.....	212
14.2	COMPONENT_PARENT.....	214
14.3	COMPONENT_PATH.....	214
14.4	DEFINITION.....	214
14.5	EMPHASIS.....	215
14.6	HANDLING.....	216
14.7	HEIGHT.....	216
14.8	HELP.....	217
14.9	LABEL.....	218
14.10	LINE_COLOR.....	218
14.11	LINE_TYPE.....	219
14.12	MEMBERS.....	220
14.13	PRIVATE.....	221

14.14	PROTOCOL	221
14.15	RESPONSE_CODES	222
14.16	SUPPLIED_INTERFACE	223
14.17	VALIDITY	223
14.18	VISIBILITY	223
14.19	WIDTH	224
14.20	WRITE_MODE	224
15	Redefinitions	225
15.1	Overview	225
15.2	AXIS	227
15.3	BLOB	228
15.4	BLOCK_A	228
15.5	BLOCK_B	230
15.6	CHART	230
15.7	COLLECTION	230
15.8	COMMAND	231
15.9	COMPONENT	231
15.10	COMPONENT_FOLDER	232
15.11	COMPONENT_REFERENCE	233
15.12	COMPONENT_RELATION	233
15.13	EDIT_DISPLAY	234
15.14	FILE	234
15.15	GRAPH	235
15.16	GRID	235
15.17	IMAGE	236
15.18	INTERFACE	236
15.19	LIST	237
15.20	MENU	237
15.21	METHOD	238
15.22	PLUGIN	239
15.23	RECORD	239
15.24	REFERENCE_ARRAY	239
15.25	RESPONSE_CODES	240
15.26	SOURCE	240
15.27	TEMPLATE	241
15.28	VALUE_ARRAY	241
15.29	VARIABLE	242
15.30	VARIABLE_LIST	243
15.31	WAVEFORM	244
16	Referencing	245
16.1	Referencing an EDD instance	245
16.2	Referencing AXIS of a GRAPH, SOURCE, WAVEFORM	245
16.3	Referencing bits of a BIT_ENUMERATED_VARIABLE	245
16.4	Referencing members of a CHART	246
16.5	Referencing members of a COLLECTION	246
16.6	Referencing COMPONENT instances	246
16.7	Referencing COMPONENT types	247
16.8	Referencing members of a FILE	247
16.9	Referencing members of a GRAPH	248

16.10	Referencing elements of a LIST .....	248
16.11	Referencing members of a RECORD .....	248
16.12	Referencing elements of a REFERENCE_ARRAY .....	249
16.13	Referencing members of a SOURCE .....	249
16.14	Referencing elements of a VALUE_ARRAY .....	249
16.15	Referencing members of a VARIABLE_LISTS .....	250
16.16	Referencing BLOCK_A CHARACTERISTICS .....	250
16.17	Referencing elements of BLOCK_A LOCAL_PARAMETERS .....	250
16.18	Referencing elements of BLOCK_A PARAMETERS .....	251
16.19	Referencing elements of BLOCK_A PARAMETER_LISTS .....	251
16.20	Referencing CHARACTERISTICS of specific BLOCK_A instance .....	251
16.21	Referencing CHARTS of specific BLOCK_A instance .....	252
16.22	Referencing FILES of specific BLOCK_A instance .....	252
16.23	Referencing GRAPHS of specific BLOCK_A instance .....	253
16.24	Referencing GRIDS of specific BLOCK_A instance .....	253
16.25	Referencing LISTS of specific BLOCK_A instance .....	253
16.26	Referencing LOCAL_PARAMETERS of specific BLOCK_A instance .....	254
16.27	Referencing MENUS of specific BLOCK_A instance .....	254
16.28	Referencing METHODS of specific BLOCK_A instance .....	255
16.29	Referencing PARAMETERS of specific BLOCK_A instance .....	255
16.30	Referencing PLUGINS of specific BLOCK_A instance .....	256
17	Strings .....	256
17.1	Specifying a string as a string literal .....	256
17.2	Specifying a string as a string variable .....	257
17.3	Specifying a string as an enumeration value .....	257
17.4	Specifying a string as a dictionary reference .....	257
17.5	Referencing HELP and LABEL attributes of EDD instances .....	258
17.6	String operations .....	258
18	Conditional expression .....	259
18.1	General structure .....	259
18.2	IF conditional .....	259
18.3	SELECT conditional .....	260
19	Expression .....	260
19.1	General structure .....	260
19.2	Primary expressions .....	261
19.3	Unary expressions .....	263
19.4	Binary expressions .....	264
19.4.1	General structure .....	264
19.4.2	Multiplicative operators .....	264
19.4.3	Additive operators .....	264
19.4.4	Shift operators .....	265
19.4.5	Relational operators .....	265
19.4.6	Equality operators .....	265
19.4.7	Bitwise AND operator (&) .....	265
19.4.8	Bitwise XOR operator (^) .....	266
19.4.9	Bitwise OR operator ( ) .....	266
19.4.10	Logical AND operator (&&) .....	266
19.4.11	Logical OR operator (  ) .....	266
19.4.12	Conditional evaluation .....	266

20	Text dictionary .....	266
Annex A (normative)	EDDL formal definition .....	268
A.1	EDDL preprocessor .....	268
A.1.1	General structure .....	268
A.1.2	Directives .....	268
A.1.3	Predefined macros .....	271
A.1.4	NEWLINE characters .....	272
A.1.5	Comments .....	272
A.2	Conventions .....	272
A.2.1	Integer constants .....	272
A.2.2	Floating-point constants .....	272
A.2.3	String literals .....	273
A.2.4	Using language and country codes in string literals .....	273
A.3	Operators .....	274
A.4	Keywords .....	278
A.5	Symbols and symbol scope .....	282
A.6	Terminals .....	282
A.7	Formal EDDL syntax .....	283
A.7.1	General .....	283
A.7.2	EDD identification information .....	283
A.7.3	AXIS .....	285
A.7.4	BLOCK_A and BLOCK_B .....	286
A.7.5	CHART .....	290
A.7.6	COLLECTION .....	291
A.7.7	COMMAND .....	292
A.7.8	COMPONENT .....	295
A.7.9	COMPONENT_FOLDER .....	298
A.7.10	COMPONENT_REFERENCE .....	298
A.7.11	COMPONENT_RELATION .....	299
A.7.12	EDIT_DISPLAY .....	300
A.7.13	FILE .....	302
A.7.14	GRAPH .....	302
A.7.15	GRID .....	302
A.7.16	IMAGE .....	303
A.7.17	INTERFACE .....	304
A.7.18	LIST .....	304
A.7.19	IMPORT .....	305
A.7.20	LIKE .....	307
A.7.21	MENU .....	309
A.7.22	METHOD .....	310
A.7.23	RECORD .....	312
A.7.24	REFERENCE_ARRAY .....	312
A.7.25	Relations .....	313
A.7.26	RESPONSE_CODES .....	315
A.7.27	SOURCE .....	316
A.7.28	TEMPLATE .....	316
A.7.29	VALUE_ARRAY .....	316
A.7.30	VARIABLE .....	317
A.7.31	VARIABLE_LIST .....	328

A.7.32	WAVEFORM.....	328
A.7.33	Common attributes .....	330
A.7.34	Expression .....	334
A.7.35	C-Grammar.....	336
A.7.36	Redefinition .....	340
A.7.37	References .....	365
A.7.38	PLUGIN .....	367
A.7.39	BLOB.....	368
A.7.40	SEMANTIC_MAP.....	368
A.8	Formal dictionary syntax .....	369
Annex B (normative)	Data types.....	370
B.1	METHOD DEFINITION data types.....	370
B.2	VARIABLE TYPE data types .....	370
B.2.1	General .....	370
B.2.2	Coding of data DATE .....	372
B.2.3	Coding of data DATE_AND_TIME.....	373
B.2.4	Coding of data DURATION .....	373
B.2.5	Coding of data TIME .....	374
B.2.6	Coding of data TIME_VALUE.....	374
B.2.7	Coding of PACKED_ASCII (6-BIT ASCII) DATA FORMAT.....	375
B.2.8	Coding of BOOLEAN .....	376
B.2.9	Coding of BIT_ENUMERATED.....	376
Annex C (informative)	EDD example .....	378
C.1	EDD example of a temperature transmitter.....	378
C.2	EDD example.....	379
Bibliography	.....	392
Figure 1	– Position of IEC 61804 in relation to other standards and products.....	24
Figure 2	– EDD generation process .....	30
Figure 3	– BLOCK_A .....	35
Figure 4	– CHART .....	35
Figure 5	– COLLECTION .....	36
Figure 6	– COMMAND .....	36
Figure 7	– COMPONENT .....	37
Figure 8	– COMPONENT_FOLDER .....	37
Figure 9	– COMPONENT_REFERENCE .....	37
Figure 10	– COMPONENT_RELATION .....	38
Figure 11	– EDIT_DISPLAY .....	38
Figure 12	– FILE.....	38
Figure 13	– GRAPH .....	39
Figure 14	– GRID.....	39
Figure 15	– IMAGE .....	39
Figure 16	– LIKE.....	40
Figure 17	– LIST .....	40
Figure 18	– MENU .....	41
Figure 19	– RECORD.....	41

Figure 20 – REFERENCE_ARRAY .....	42
Figure 21 – REFRESH .....	42
Figure 22 – SEMANTIC_MAP .....	43
Figure 23 – UNIT .....	43
Figure 24 – WRITE_AS_ONE.....	43
Figure 25 – SOURCE.....	44
Figure 26 – VALUE_ARRAY .....	44
Figure 27 – VARIABLE .....	45
Figure 28 – VARIABLE_LIST .....	45
Figure 29 – WAVEFORM .....	45
Figure 30 – REFERENCE_ARRAY example.....	83
Figure 31 – Abstract COMMAND definition example .....	83
Figure 32 – EDD examples of SEMANTIC_MAP .....	98
Figure 33 – Example of an item mask .....	111
Figure 34 – Example of a single item mask .....	111
Figure 35 – Mapping example with a single item mask .....	112
Figure 36 – Example of multiple item masks .....	112
Figure 37 – Mapping example with a multiple item mask .....	112
Figure 38 – INFO qualifier.....	113
Figure 39 – INDEX qualifier .....	113
Figure 40 – INFO and INDEX qualifier .....	114
Figure 41 – Examples of MENU STYLES.....	125
Figure 42 – MENU activation .....	126
Figure 43 – EDD example of an IMAGE .....	130
Figure 44 – EDD example of an IMAGE with the LINK attribute.....	130
Figure 45 – EDD example of a GRID.....	134
Figure 46 – Result of the EDD example .....	134
Figure 47 – Example of a chart with one curve in a dialog.....	138
Figure 48 – Example of a chart with two SOURCES .....	139
Figure 49 – Displaying example of a chart with two SOURCES.....	140
Figure 50 – Example of a chart with three horizontal bars .....	141
Figure 51 – Displaying example of a chart with three horizontal bars .....	141
Figure 52 – Example of a chart in a dialog .....	143
Figure 53 – Trend CHART types examples .....	146
Figure 54 – Meter CHART types examples.....	146
Figure 55 – CHART activation.....	147
Figure 56 – Legend/help for SOURCES with single and multiple VARIABLES – Y_AXIS not defined.....	148
Figure 57 – Legend/help for SOURCES arrangement of multiple SOURCES with shared Y_AXIS.....	149
Figure 58 – A graph and the visual elements .....	156
Figure 59 – Example of a graph .....	159
Figure 60 – Multiple used axes .....	160
Figure 61 – EDD with device-supported zooming and scrolling .....	163

Figure 62 – GRAPH activation .....	165
Figure 63 – EDDL import mechanisms .....	195
Figure 64 – Example of TEMPLATE usage .....	198
Figure 65 – REQUIRED_RANGES usage.....	208
Figure 66 – NEXT_COMPONENT usage.....	209
Figure C.1 – Example of an operator screen using EDD.....	378
Table 1 – Format for the basic construct table .....	32
Table 2 – Contents of the basic construct table.....	32
Table 3 – Attribute usage descriptions .....	32
Table 4 – Rules for lexical convention.....	33
Table 5 – EDD sources .....	33
Table 6 – EDD identification information attributes.....	47
Table 7 – DD_REVISION attribute .....	48
Table 8 – DEVICE_REVISION attribute.....	48
Table 9 – DEVICE_TYPE attribute .....	49
Table 10 – EDD_PROFILE attribute .....	49
Table 11 – EDD_VERSION attribute .....	50
Table 12 – LAYOUT_TYPE attribute .....	50
Table 13 – MANUFACTURER attribute .....	51
Table 14 – MANUFACTURER_EXT attribute.....	51
Table 15 – VARIABLE attributes .....	52
Table 16 – CLASS attributes.....	53
Table 17 – CONSTANT_UNIT attribute .....	56
Table 18 – POST_EDIT_ACTIONS, PRE_EDIT_ACTIONS, POST_READ_ACTIONS, PRE_READ_ACTIONS, POST_WRITE_ACTIONS, PRE_WRITE_ACTIONS, REFRESH_ACTIONS attributes .....	58
Table 19 – POST_USERCHANGE_ACTIONS, POST_RQSTUPDATE_ACTIONS attributes .....	59
Table 20 – TYPE overview.....	62
Table 21 – MIN_VALUE, MAX_VALUE attribute.....	63
Table 22 – TYPE attributes for DOUBLE, FLOAT, INTEGER, UNSIGNED_INTEGER.....	65
Table 23 – Default display format conversion type .....	65
Table 24 – Default width/precision based on VARIABLE and format conversion type .....	66
Table 25 – TYPE attributes for DATE, DATE_AND_TIME, DURATION, TIME, TIME_VALUE.....	69
Table 26 – TYPE attributes for BIT_ENUMERATED .....	71
Table 27 – size attribute .....	72
Table 28 – status–class attributes.....	72
Table 29 – ALL, AO, DV, TV attributes .....	74
Table 30 – TYPE attributes for ENUMERATED .....	75
Table 31 – TYPE attributes for INDEX .....	76
Table 32 – TYPE attributes for ASCII, EUC, PACKED_ASCII, PASSWORD, VISIBLE .....	78
Table 33 – String handling .....	78

Table 34 – TYPE attributes for OCTET .....	79
Table 35 – TYPE attributes for BITSTRING.....	81
Table 36 – REFERENCE_ARRAY attributes .....	82
Table 37 – ELEMENTS attribute .....	84
Table 38 – VALUE_ARRAY attributes .....	85
Table 39 – NUMBER_OF_ELEMENTS attribute .....	86
Table 40 – TYPE attribute.....	86
Table 41 – LIST attributes.....	87
Table 42 – CAPACITY attribute.....	88
Table 43 – COUNT attribute.....	89
Table 44 – TYPE attribute.....	90
Table 45 – COLLECTION attributes .....	91
Table 46 – item-type .....	91
Table 47 – FILE attributes.....	93
Table 48 – IDENTITY attribute .....	94
Table 49 – ON_UPDATE_ACTIONS attribute.....	94
Table 50 – SHARED attribute .....	94
Table 51 – REFRESH overview .....	95
Table 52 – REFRESH attributes.....	96
Table 53 – SEMANTIC_MAP overview.....	97
Table 54 – SEMANTIC_MAP attributes .....	97
Table 55 – UNIT overview.....	99
Table 56 – UNIT attributes .....	99
Table 57 – WRITE_AS_ONE overview .....	100
Table 58 – WRITE_AS_ONE attribute .....	100
Table 59 – BLOB attributes.....	101
Table 60 – IDENTITY attribute .....	101
Table 61 – COMMAND attributes .....	103
Table 62 – API attribute .....	104
Table 63 – BLOCK_B attribute .....	105
Table 64 – HEADER attribute .....	105
Table 65 – INDEX attribute .....	105
Table 66 – NUMBER attribute.....	106
Table 67 – OPERATION attribute.....	106
Table 68 – PROFIBUS and PROFINET communication mapping.....	107
Table 69 – SLOT attribute.....	107
Table 70 – SUB_SLOT attribute.....	107
Table 71 – TRANSACTION attributes.....	108
Table 72 – REPLY and REQUEST attributes.....	109
Table 73 – POST_RQSTRECEIVE_ACTIONS attributes .....	114
Table 74 – RECORD attributes .....	115
Table 75 – RESPONSE_CODES overview .....	116
Table 76 – RESPONSE_CODES attributes .....	116

Table 77 – VARIABLE_LIST attributes .....	117
Table 78 – MENU attributes .....	118
Table 79 – ACCESS attribute .....	118
Table 80 – MENU ITEMS .....	120
Table 81 – MENU ITEMS qualifiers .....	121
Table 82 – EXIT_ACTIONS, INIT_ACTIONS, POST_EDIT_ACTIONS, PRE_EDIT_ACTIONS, POST_READ_ACTIONS, PRE_READ_ACTIONS, POST_WRITE_ACTIONS, PRE_WRITE_ACTIONS attributes .....	122
Table 83 – STYLE attribute .....	124
Table 84 – EDIT_DISPLAY attributes .....	127
Table 85 – EDIT_ITEMS attribute .....	128
Table 86 – DISPLAY_ITEM attributes .....	128
Table 87 – POST_EDIT_ACTIONS, PRE_EDIT_ACTIONS attribute .....	129
Table 88 – IMAGE attributes .....	130
Table 89 – LINK attribute .....	131
Table 90 – PATH attribute .....	131
Table 91 – Image formats .....	132
Table 92 – GRID attributes .....	132
Table 93 – ORIENTATION attribute .....	135
Table 94 – VECTORS attribute .....	135
Table 95 – CHART attributes .....	137
Table 96 – CYCLE_TIME attribute .....	144
Table 97 – LENGTH attribute .....	144
Table 98 – TYPE attribute .....	145
Table 99 – SOURCE attributes .....	150
Table 100 – Y_AXIS attribute .....	152
Table 101 – AXIS attributes .....	153
Table 102 – MIN_VALUE, MAX_VALUE attribute .....	154
Table 103 – SCALING attribute .....	154
Table 104 – GRAPH attributes .....	157
Table 105 – CYCLE_TIME attribute .....	164
Table 106 – X_AXIS attribute .....	164
Table 107 – WAVEFORM attributes .....	166
Table 108 – EXIT_ACTIONS, INIT_ACTIONS, REFRESH_ACTIONS attribute .....	167
Table 109 – KEY_POINTS attribute .....	168
Table 110 – X_VALUES, Y_VALUES attribute .....	169
Table 111 – TYPE attribute .....	170
Table 112 – XY attribute .....	170
Table 113 – YT attribute .....	171
Table 114 – HORIZONTAL attribute .....	172
Table 115 – VERTICAL attribute .....	172
Table 116 – Y_AXIS attribute .....	173
Table 117 – PLUGIN attributes .....	173
Table 118 – UUID attribute .....	174

Table 119 – METHOD attributes .....	175
Table 120 – Parameter types .....	175
Table 121 – ACCESS attributes .....	176
Table 122 – CLASS attributes .....	176
Table 123 – TYPE attributes .....	178
Table 124 – BLOCK_A attributes .....	180
Table 125 – AXIS_ITEMS attribute .....	181
Table 126 – CHARACTERISTICS attribute .....	181
Table 127 – CHARTS attribute .....	181
Table 128 – CHART_ITEMS attribute .....	182
Table 129 – COLLECTION_ITEMS attribute .....	182
Table 130 – EDIT_DISPLAY_ITEMS attribute .....	182
Table 131 – FILES attribute .....	183
Table 132 – FILE_ITEMS attribute .....	183
Table 133 – GRAPHS attribute .....	184
Table 134 – GRAPH_ITEMS attribute .....	184
Table 135 – GRIDS attribute .....	184
Table 136 – GRID_ITEMS attribute .....	185
Table 137 – IMAGE_ITEMS attribute .....	185
Table 138 – ITEM_ARRAY_ITEMS attribute .....	185
Table 139 – LISTS attribute .....	186
Table 140 – LIST_ITEMS attribute .....	186
Table 141 – MENUS attribute .....	187
Table 142 – MENU_ITEMS attribute .....	187
Table 143 – METHODS attribute .....	187
Table 144 – METHOD_ITEMS attribute .....	188
Table 145 – PARAMETERS attributes .....	188
Table 146 – PARAMETER_LISTS attributes .....	189
Table 147 – PLUGINS attribute .....	189
Table 148 – PLUGIN_ITEMS attribute .....	189
Table 149 – REFRESH_ITEMS attribute .....	190
Table 150 – SEMANTIC_MAP_ITEMS attribute .....	190
Table 151 – SOURCE_ITEMS attribute .....	190
Table 152 – UNIT_ITEMS attribute .....	191
Table 153 – WAVEFORM_ITEMS attribute .....	191
Table 154 – WRITE_AS_ONE_ITEMS attribute .....	191
Table 155 – BLOCK_B attributes .....	192
Table 156 – NUMBER attributes .....	193
Table 157 – TYPE attributes .....	193
Table 158 – LIKE overview .....	194
Table 159 – LIKE attributes .....	194
Table 160 – IMPORT overview .....	196
Table 161 – Importing device description .....	196

Table 162 – TEMPLATE attributes .....	198
Table 163 – DEFAULT_VALUES attribute .....	198
Table 164 – COMPONENT attributes .....	200
Table 165 – BYTE_ORDER attribute .....	200
Table 166 – CAN_DELETE attribute .....	201
Table 167 – CHECK_CONFIGURATION attribute .....	201
Table 168 – COMPONENT_RELATIONS attribute .....	202
Table 169 – CONNECTION_POINT attribute .....	202
Table 170 – DETECT attribute .....	202
Table 171 – EDD attribute .....	203
Table 172 – INITIAL_VALUES attribute .....	203
Table 173 – REDUNDANCY attribute .....	203
Table 174 – SCAN attribute .....	204
Table 175 – SCAN_LIST attribute .....	204
Table 176 – PRODUCT_URI attribute .....	204
Table 177 – COMPONENT_FOLDER attributes .....	205
Table 178 – COMPONENT_REFERENCE attributes .....	206
Table 179 – COMPONENT_RELATION attributes .....	207
Table 180 – COMPONENTS attribute .....	208
Table 181 – RELATION_TYPE attribute .....	209
Table 182 – ADDRESSING attribute .....	209
Table 183 – MAXIMUM_NUMBER attribute .....	210
Table 184 – MINIMUM_NUMBER attribute .....	210
Table 185 – REQUIRED_INTERFACE attribute .....	210
Table 186 – INTERFACE attributes .....	211
Table 187 – DECLARATION attribute .....	212
Table 188 – CLASSIFICATION attributes .....	212
Table 189 – COMPONENT_PARENT attribute .....	214
Table 190 – COMPONENT_PATH attribute .....	214
Table 191 – DEFINITION attribute .....	215
Table 192 – EMPHASIS attribute .....	216
Table 193 – HANDLING attribute .....	216
Table 194 – HEIGHT/WIDTH attribute .....	217
Table 195 – HELP attribute .....	218
Table 196 – LABEL attribute .....	218
Table 197 – LINE_COLOR attribute .....	219
Table 198 – Standard RGB color values .....	219
Table 199 – LINE_TYPE attribute .....	220
Table 200 – MEMBERS attributes .....	221
Table 201 – PRIVATE attributes .....	221
Table 202 – PROTOCOL attribute .....	222
Table 203 – RESPONSE_CODES attribute .....	222
Table 204 – SUPPLIED_INTERFACE attribute .....	223

Table 205 – VALIDITY attributes .....	223
Table 206 – VISIBILITY attributes .....	224
Table 207 – WRITE_MODE attributes .....	225
Table 208 – Redefinition attributes .....	227
Table 209 – Redefinition rules for AXIS attributes .....	228
Table 210 – Redefinition rules for BLOB attributes .....	228
Table 211 – Redefinition rules for BLOCK_A attributes .....	229
Table 212 – Redefinition rules for BLOCK_B attributes .....	230
Table 213 – Redefinition rules for CHART attributes .....	230
Table 214 – Redefinition rules for COLLECTION attributes .....	231
Table 215 – Redefinition rules for COMMAND attributes .....	231
Table 216 – Redefinition rules for COMPONENT attributes .....	232
Table 217 – Redefinition rules for COMPONENT_FOLDER attributes .....	232
Table 218 – Redefinition rules for COMPONENT_REFERENCE attributes .....	233
Table 219 – Redefinition rules for COMPONENT_RELATION attributes .....	234
Table 220 – Redefinition rules for EDIT_DISPLAY attributes .....	234
Table 221 – Redefinition rules for FILE attributes .....	235
Table 222 – Redefinition rules for GRAPH attributes .....	235
Table 223 – Redefinition rules for GRID attributes .....	236
Table 224 – Redefinition rules for IMAGE attributes .....	236
Table 225 – Redefinition rules for INTERFACE attributes .....	236
Table 226 – Redefinition rules for LIST attributes .....	237
Table 227 – Redefinition rules for MENU attributes .....	238
Table 228 – Redefinition rules for METHOD attributes .....	238
Table 229 – Redefinition rules for PLUGIN attributes .....	239
Table 230 – Redefinition rules for RECORD attributes .....	239
Table 231 – Redefinition rules for REFERENCE_ARRAY attributes .....	240
Table 232 – Redefinition rules for RESPONSE_CODES attributes .....	240
Table 233 – Redefinition rules for SOURCE attributes .....	241
Table 234 – Redefinition rules for TEMPLATE attributes .....	241
Table 235 – Redefinition rules for VALUE_ARRAY attributes .....	242
Table 236 – Redefinition rules for VARIABLE attributes .....	243
Table 237 – Redefinition rules for VARIABLE_LIST attributes .....	244
Table 238 – Redefinition rules for WAVEFORM attributes .....	244
Table 239 – Referencing an EDD instance .....	245
Table 240 – Referencing AXIS of a GRAPH. SOURCE, WAVEFORM .....	245
Table 241 – Referencing elements of VARIABLE .....	246
Table 242 – Referencing members of CHART .....	246
Table 243 – Referencing members of COLLECTION .....	246
Table 244 – Referencing a COMPONENT instance .....	247
Table 245 – Referencing a COMPONENT type .....	247
Table 246 – Referencing members of FILE .....	247
Table 247 – Referencing members of GRAPH .....	248

Table 248 – Referencing elements of LIST .....	248
Table 249 – Referencing elements of RECORD .....	249
Table 250 – Referencing members of REFERENCE_ARRAY .....	249
Table 251 – Referencing members of SOURCE .....	249
Table 252 – Referencing elements of VALUE_ARRAY .....	250
Table 253 – Referencing members of VARIABLE_LISTS .....	250
Table 254 – Referencing BLOCK_A CHARACTERISTICS .....	250
Table 255 – Referencing members of BLOCK_A LOCAL_PARAMETER.....	251
Table 256 – Referencing members of a BLOCK_A PARAMETERS.....	251
Table 257 – Referencing members of BLOCK_A PARAMETER_LISTS .....	251
Table 258 – Referencing CHARACTERISTICS of specific BLOCK_A instance .....	252
Table 259 – Referencing CHARTS of specific BLOCK_A instance .....	252
Table 260 – Referencing FILES of specific BLOCK_A instance .....	252
Table 261 – Referencing GRAPHS of specific BLOCK_A instance .....	253
Table 262 – Referencing GRIDS of specific BLOCK_A instance.....	253
Table 263 – Referencing LISTS of specific BLOCK_A instance .....	254
Table 264 – Referencing LOCAL_PARAMETERS of specific BLOCK_A instance .....	254
Table 265 – Referencing MENUS of specific BLOCK_A instance .....	255
Table 266 – Referencing METHODS of specific BLOCK_A instance .....	255
Table 267 – Referencing PARAMETERS of specific BLOCK_A instance .....	256
Table 268 – Referencing PLUGINS of specific BLOCK_A instance .....	256
Table 269 – String as a string literal.....	256
Table 270 – String as a string variable.....	257
Table 271 – String as an enumeration value .....	257
Table 272 – String as a dictionary reference .....	258
Table 273 – Referencing HELP and LABEL attributes of EDD instances .....	258
Table 274 – String operation.....	258
Table 275 – IF conditional.....	259
Table 276 – SELECT conditional .....	260
Table 277 – Primary expressions .....	261
Table 278 – Attribute values of VARIABLES.....	262
Table 279 – AXIS attribute values .....	263
Table 280 – BLOB attribute values.....	263
Table 281 – LIST attribute values .....	263
Table 282 – ARRAY attribute values .....	263
Table 283 – Unary expressions.....	264
Table 284 – Multiplicative operators.....	264
Table 285 – Additive operators .....	265
Table 286 – Shift operators.....	265
Table 287 – Relational operators .....	265
Table 288 – Equality operators .....	265
Table 289 – Text dictionary attributes .....	267
Table A.1 – Conventions for integer constants .....	272

Table A.2 – Using escape sequences in string literals.....	273
Table A.3 – Language code examples for string literals .....	274
Table A.4 – Precedence and associativity for EDDL operators .....	275
Table A.5 – Operations for VARIABLEs or METHOD local variables .....	276
Table A.6 – EDDL keywords .....	278
Table B.1 – METHOD DEFINITION data types.....	370
Table B.2 – VARIABLE TYPEs.....	371
Table B.3 – DATE coding.....	373
Table B.4 – DATE_AND_TIME coding.....	373
Table B.5 – DURATION coding.....	373
Table B.6 – DURATION coding for ISA100.....	374
Table B.7 – TIME coding.....	374
Table B.8 – TIME coding for ISA100 .....	374
Table B.9 – TIME_VALUE coding (four octets).....	375
Table B.10 – TIME_VALUE coding (eight octets) .....	375
Table B.11 – PACKED_ASCII coding .....	376
Table B.12 – BOOLEAN coding .....	376
Table B.13 – BIT_ENUMERATED coding.....	377
Table B.14 – BIT_ENUMERATED coding for FF.....	377

## INTERNATIONAL ELECTROTECHNICAL COMMISSION

---

**DEVICES AND INTEGRATION IN ENTERPRISE SYSTEMS –  
FUNCTION BLOCKS (FB) FOR PROCESS CONTROL AND  
ELECTRONIC DEVICE DESCRIPTION LANGUAGE (EDDL) –****Part 3: EDDL syntax and semantics****FOREWORD**

- 1) The International Electrotechnical Commission (IEC) is a worldwide organization for standardization comprising all national electrotechnical committees (IEC National Committees). The object of IEC is to promote international co-operation on all questions concerning standardization in the electrical and electronic fields. To this end and in addition to other activities, IEC publishes International Standards, Technical Specifications, Technical Reports, Publicly Available Specifications (PAS) and Guides (hereafter referred to as "IEC Publication(s)"). Their preparation is entrusted to technical committees; any IEC National Committee interested in the subject dealt with may participate in this preparatory work. International, governmental and non-governmental organizations liaising with IEC also participate in this preparation. IEC collaborates closely with the International Organization for Standardization (ISO) in accordance with conditions determined by agreement between the two organizations.
- 2) The formal decisions or agreements of IEC on technical matters express, as nearly as possible, an international consensus of opinion on the relevant subjects since each technical committee has representation from all interested IEC National Committees.
- 3) IEC Publications have the form of recommendations for international use and are accepted by IEC National Committees in that sense. While all reasonable efforts are made to ensure that the technical content of IEC Publications is accurate, IEC cannot be held responsible for the way in which they are used or for any misinterpretation by any end user.
- 4) In order to promote international uniformity, IEC National Committees undertake to apply IEC Publications transparently to the maximum extent possible in their national and regional publications. Any divergence between any IEC Publication and the corresponding national or regional publication shall be clearly indicated in the latter.
- 5) IEC itself does not provide any attestation of conformity. Independent certification bodies provide conformity assessment services and, in some areas, access to IEC marks of conformity. IEC is not responsible for any services carried out by independent certification bodies.
- 6) All users should ensure that they have the latest edition of this publication.
- 7) No liability shall attach to IEC or its directors, employees, servants or agents including individual experts and members of its technical committees and IEC National Committees for any personal injury, property damage or other damage of any nature whatsoever, whether direct or indirect, or for costs (including legal fees) and expenses arising out of the publication, use of, or reliance upon, this IEC Publication or any other IEC Publications.
- 8) Attention is drawn to the Normative references cited in this publication. Use of the referenced publications is indispensable for the correct application of this publication.
- 9) Attention is drawn to the possibility that some of the elements of this IEC Publication may be the subject of patent rights. IEC shall not be held responsible for identifying any or all such patent rights.

International Standard IEC 61804-3 has been prepared by subcommittee 65E: Devices and integration in enterprise systems, of IEC technical committee 65: Industrial-process measurement, control and automation.

This fourth edition cancels and replaces the third edition published in 2015. This edition constitutes a technical revision.

This edition was developed by merging material from multiple variants of existing EDDL specifications including those from FieldComm Group (FOUNDATION™ Fieldbus<sup>1</sup>, HART®<sup>2</sup>), PROFIBUS™<sup>3</sup> Nutzerorganisation e.V. (PNO), and ISA100\_Wireless™<sup>4</sup> Compliance Institute (ISA100 WCI). Any places where there may be a profile deviation are now indicated in the context where the related deviation is found. As a result, the formatting and numbering of this edition may be different from any of the individual specifications from which this edition was derived.

This edition includes the following significant technical changes with respect to the previous edition:

- Communication profiles ISA100 and GPE were added.
- EDD Identification Information has a new LAYOUT\_TYPE attribute.
- New construct SEMANTIC\_MAP was added.
- CLASS attribute values LOCAL\_A and LOCAL\_B were added.
- Extended LIST functionality to support device managed lists.

The text of this standard is based on the following documents:

CDV	Report on voting
65E/631/CDV	65E/689/RVC

Full information on the voting for the approval of this standard can be found in the report on voting indicated in the above table.

This publication has been drafted in accordance with the ISO/IEC Directives, Part 2.

Headings ending with '(void)' are used to retain the numbering of previous editions.

A list of all parts in IEC 61804 series, published under the general title *Devices and integration in enterprise systems – Function blocks (FB) for process control and electronic device description language (EDDL)*, can be found on the IEC website.

Future parts of IEC 61804 will carry the new general title as cited above. Titles of existing parts will be updated at the time of the next edition.

---

<sup>1</sup> FOUNDATION™ Fieldbus is the trademark of FieldComm Group. This information is given for the convenience of users of this document and does not constitute an endorsement by IEC of the product named. Equivalent products may be used if they can be shown to lead to the same results.

<sup>2</sup> HART® is the registered trademark of FieldComm Group. This information is given for the convenience of users of this document and does not constitute an endorsement by IEC of the product named. Equivalent products may be used if they can be shown to lead to the same results.

<sup>3</sup> PROFIBUS and PROFINET are the trademarks of the PROFIBUS Nutzerorganisation e.V. This information is given for the convenience of users of this document and does not constitute an endorsement by IEC of the product named. Equivalent products may be used if they can be shown to lead to the same results.

<sup>4</sup> ISA100\_Wireless™ is the trademark of ISA100 Wireless Compliance Institute. This information is given for the convenience of users of this document and does not constitute an endorsement by IEC of the product named. Equivalent products may be used if they can be shown to lead to the same results.

The committee has decided that the contents of this publication will remain unchanged until the stability date indicated on IEC web site under "<http://webstore.iec.ch>" in the data related to the specific publication. At this date, the publication will be

- reconfirmed,
- withdrawn,
- replaced by a revised edition, or
- amended.

**IMPORTANT – The 'colour inside' logo on the cover page of this publication indicates that it contains colours which are considered to be useful for the correct understanding of its contents. Users should therefore print this document using a colour printer.**

## INTRODUCTION

The EDDL fills the gap between the conceptual function block specification of IEC 61804-2 and a product implementation. It allows the manufacturers to use the same description method for devices based on different technologies and platforms. Figure 1 shows these aspects.

IEC 61804 has the general title "Devices and integration in enterprise systems – Function blocks (FB) for process control and electronic device description language (EDDL)" and consists of the following parts:

Part 2: Specification of FB concept

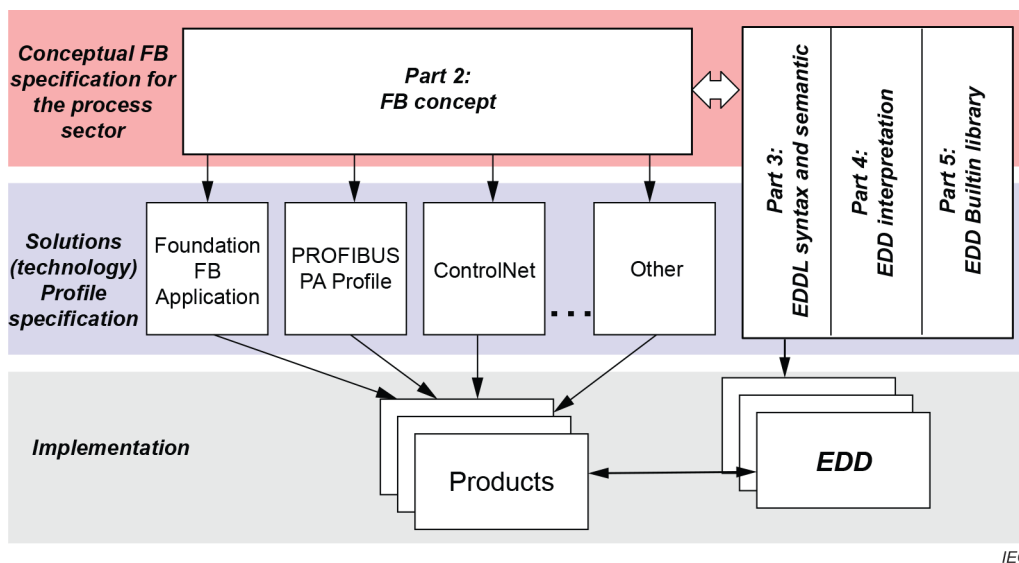
Part 3: EDDL syntax and semantics

Part 4: EDD interpretation

Part 5: EDDL builtin library

Part 6: Meeting the requirements for integrating fieldbus devices in engineering tools for field devices

The EDDL may also be used for the description of product properties in other domains such as industrial automation. Industrial automation may include devices such as generic digital and analog input/output modules, motion controllers, human-machine interfaces, sensors, closed-loop controllers, encoders, hydraulic valves, and programmable controllers.



IEC

Figure 1 – Position of IEC 61804 in relation to other standards and products

# DEVICES AND INTEGRATION IN ENTERPRISE SYSTEMS – FUNCTION BLOCKS (FB) FOR PROCESS CONTROL AND ELECTRONIC DEVICE DESCRIPTION LANGUAGE (EDDL) –

## Part 3: EDDL syntax and semantics

### 1 Scope

This part of IEC 61804 specifies the electronic device description language (EDDL) technology, which enables the integration of real product details using the tools of the engineering life cycle.

This document specifies EDDL as a generic language for describing the properties of automation system components. EDDL is capable of describing

- device parameters and their dependencies;
- device functions, for example, simulation mode, calibration;
- graphical representations, for example, menus;
- interactions with control devices;
- graphical representations:
  - enhanced user interface,
  - graphing system;
- persistent data store.

EDDL is used to create electronic device description (EDD) for e.g. concrete devices, common usable profiles or libraries. This EDD is used with appropriate tools to generate an interpretative code to support parameter handling, operation, and monitoring of automation system components such as remote I/Os, controllers, sensors, and programmable controllers. Tool implementation is outside the scope of this document.

This document specifies the semantic and lexical structure in a syntax-independent manner. A specific syntax is defined in Annex A, but it is possible to use the semantic model also with different syntaxes.

IEC 61804-4 specifies EDD interpretation for EDD applications and EDDs to support EDD interoperability.

IEC 61804-5 specifies the EDDL builtin library and provides the profiles of the various fieldbuses.

### 2 Normative references

The following documents are referred to in the text in such a way that some or all of their content constitutes requirements of this document. For dated references, only the edition cited applies. For undated references, the latest edition of the referenced document (including any amendments) applies.

IEC 60050-351, *International Electrotechnical Vocabulary (IEV) – Part 351: Control technology*

IEC 61804-2, *Function blocks (FB) for process control – Part 2: Specification of FB concept*