

# INTERNATIONAL STANDARD

## NORME INTERNATIONALE

---

**Low voltage surge protective devices –  
Part 21: Surge protective devices connected to tele-communications and  
signalling networks – Performance requirements and testing methods**

**Parafoudres basse tension –  
Partie 21: Parafoudres connectés aux réseaux de signaux et de  
télécommunications – Prescriptions de fonctionnement et méthodes d'essais**

INTERNATIONAL  
ELECTROTECHNICAL  
COMMISSION

COMMISSION  
ELECTROTECHNIQUE  
INTERNATIONALE

PRICE CODE  
CODE PRIX

**CL**

## CONTENTS

FOREWORD.....	5
INTRODUCTION.....	7
1 General.....	8
1.1 Scope.....	8
1.2 SPD configurations.....	8
1.3 Use of this standard.....	10
2 Normative references.....	13
3 Definitions.....	14
4 Service and test conditions.....	17
4.1 Service conditions.....	17
4.1.1 Normal service conditions.....	17
4.1.2 Abnormal service conditions.....	18
4.2 Test temperature and humidity.....	18
4.3 SPD testing.....	18
4.4 Waveform tolerances.....	19
5 Requirements.....	19
5.1 General requirements.....	19
5.1.1 Identification and documentation.....	19
5.1.2 Marking.....	19
5.2 Electrical requirements.....	20
5.2.1 Voltage-limiting requirements.....	20
5.2.2 Current-limiting requirements.....	21
5.2.3 Transmission requirements.....	22
5.3 Mechanical requirements.....	22
5.3.1 Terminals and connectors.....	23
5.3.2 Mechanical strength (mounting).....	24
5.3.3 Resistance to ingress of solid objects and to harmful ingress of water.....	24
5.3.4 Protection against direct contact.....	24
5.3.5 Fire resistance.....	24
5.4 Environmental requirements.....	24
5.4.1 High temperature and humidity endurance.....	24
5.4.2 Environmental cycling with impulse surges.....	25
5.4.3 Environmental cycling with a.c. surges.....	25
6 Type test.....	25
6.1 General tests.....	25
6.1.1 Identification and documentation.....	25
6.1.2 Marking.....	25
6.2 Electrical tests.....	26
6.2.1 Voltage-limiting tests.....	26
6.2.2 Current-limiting tests.....	32
6.2.3 Transmission tests.....	35
6.3 Mechanical tests.....	37
6.3.1 Terminals and connectors.....	37
6.3.2 Mechanical strength (mounting).....	39
6.3.3 Resistance to ingress of solid objects and to harmful ingress of water.....	39
6.3.4 Protection against direct contact.....	39

6.3.5	Fire resistance.....	40
6.4	Environmental tests.....	41
6.4.1	High temperature and humidity endurance.....	41
6.4.2	Environmental cycling with impulse surges.....	41
6.4.3	Environmental cycling with a.c. surges.....	42
6.5	Acceptance tests.....	42
Annex A (informative) Devices with current-limiting components only.....		56
Annex B (Void).....		57
Annex C (Void).....		58
Annex D (informative) Measurement accuracy.....		59
Annex E (informative) Determination of let-through current ( $I_p$ ).....		60
Bibliography.....		63
Figure 1 – SPD configurations.....		9
Figure 16 – Examples of multi-line SPDs with a common protective element.....		28
Figure 2 – Test circuits for impulse reset time.....		43
Figure 3 – Test circuits for a.c. durability and overstressed fault mode.....		44
Figure 4 – Test circuits for impulse durability and overstressed fault mode.....		45
Figure 5 – Test circuits for rated current, series resistance, response time, current reset time, maximum interrupting voltage and operating duty test.....		46
Figure 6 – Test circuits for a.c. durability.....		47
Figure 7 – Test circuits for impulse durability.....		48
Figure 8 – Test circuits for insertion loss.....		49
Figure 9 – Test circuit for return loss.....		49
Figure 10 – Test circuits for longitudinal balance.....		50
Figure 11 – Test circuit for bit error ratio test.....		51
Figure 12 – Test circuit for near-end crosstalk.....		52
Figure 13 – Test circuits for high temperature/humidity endurance and environmental cycling.....		53
Figure 14 – Environmental cycling schedule A with RH ≥ 90 %.....		54
Figure 15 – Environmental cycling B.....		55
Figure A.1 – Configurations of devices with current-limiting component(s) only.....		56
Figure E.1 – Determination of differential mode let-through current.....		60
Figure E.2 – Determination of common mode let-through current.....		61
Figure E.3 – Determination of differential mode let-through current.....		61
Figure E.4 – Determination of differential mode let-through current.....		61
Figure E.5 – Determination of common mode max. let-through current.....		61
Figure E.6 – Determination of common mode max. let-through current at multi-terminal SPDs.....		62

Table 1 – General SPD requirements.....	11
Table 2 – Waveform tolerances.....	19
Table 3 – Voltage and current waveforms for impulse-limiting voltage.....	27
Table 4 – Source voltages and currents for impulse reset test .....	29
Table 5 – Preferred values of currents for a.c. durability test .....	30
Table 6 – Test currents for response time.....	32
Table 7 – Preferred values of current for operating duty tests .....	34
Table 8 – Preferred values of a.c. test currents.....	34
Table 9 – Preferred values of impulse current.....	35
Table 10 – Standard parameters for figure 8.....	35
Table 11 – Impedance values for longitudinal balance test.....	36
Table 12 – Test times for BER test .....	37
Table 13 – Connectable cross-sectional areas of copper conductors for screw-type terminals or screwless-type terminals .....	38
Table 14 – Pulling force (screwless terminals) .....	38
Table 15 – Preferred values of test-time duration for high temperature and humidity endurance.....	41
Table 16 – Preferred values of temperature and duration for environmental cycling tests.....	42

Currently in preview, click buy full version

## INTERNATIONAL ELECTROTECHNICAL COMMISSION

## LOW VOLTAGE SURGE PROTECTIVE DEVICES –

**Part 21: Surge protective devices connected to telecommunications  
and signalling networks –  
Performance requirements and testing methods**

## FOREWORD

- 1) The International Electrotechnical Commission (IEC) is a worldwide organization for standardization comprising all national electrotechnical committees (IEC National Committees). The object of IEC is to promote international co-operation on all questions concerning standardization in the electrical and electronic fields. To this end and in addition to other activities, IEC publishes International Standards, Technical Specifications, Technical Reports, Publicly Available Specifications (PAS) and Guides (hereafter referred to as “IEC Publication(s)”). Their preparation is entrusted to technical committees; any IEC National Committee interested in the subject dealt with may participate in this preparatory work. International governmental and non-governmental organizations liaising with the IEC also participate in this preparation. IEC collaborates closely with the International Organization for Standardization (ISO) in accordance with conditions determined by agreement between the two organizations.
- 2) The formal decisions or agreements of IEC on technical matters express, as nearly as possible, an international consensus of opinion on the relevant subjects since each technical committee has representation from all interested IEC National Committees.
- 3) IEC Publications have the form of recommendations for international use and are accepted by IEC National Committees in that sense. While all reasonable efforts are made to ensure that the technical content of IEC Publications is accurate, IEC cannot be held responsible for the way in which they are used or for any misinterpretation by any end user.
- 4) In order to promote international uniformity, IEC National Committees undertake to apply IEC Publications transparently to the maximum extent possible in their national and regional publications. Any divergence between any IEC Publication and the corresponding national or regional publication shall be clearly indicated in the latter.
- 5) IEC provides no marking procedure to indicate its approval and cannot be rendered responsible for any equipment declared to be in conformity with an IEC Publication.
- 6) All users should ensure that they have the latest edition of this publication.
- 7) No liability shall attach to IEC or its directors, employees, servants or agents including individual experts and members of its technical committees and IEC National Committees for any personal injury, property damage or other damage of any nature whatsoever, whether direct or indirect, or for costs (including legal fees) and expenses arising out of the publication, use of, or reliance upon, this IEC Publication or any other IEC Publications.
- 8) Attention is drawn to the normative references cited in this publication. Use of the referenced publications is indispensable for the correct application of this publication.
- 9) Attention is drawn to the possibility that some of the elements of this IEC Publication may be the subject of patent rights. IEC shall not be held responsible for identifying any or all such patent rights.

International Standard IEC 61643-21 has been prepared by subcommittee 37A: Low-voltage surge protective devices, of IEC technical committee 37: Surge arresters.

This consolidated version of IEC 61643-21 consists of the first edition (2000) [documents 37A/101/FDIS and 37A/104/RVD], its amendment 1 (2008) [documents 37A/200/FDIS and 37A/201/RVD] and its corrigendum of March 2001.

The technical content is therefore identical to the base edition and its amendment and has been prepared for user convenience.

It bears the edition number 1.1.

A vertical line in the margin shows where the base publication has been modified by amendment 1.

The committee has decided that the contents of the base publication and its amendments will remain unchanged until the maintenance result date indicated on the IEC web site under "<http://webstore.iec.ch>" in the data related to the specific publication. At this date, the publication will be

- reconfirmed,
- withdrawn,
- replaced by a revised edition, or
- amended.

Currently in preview, click buy full version

## INTRODUCTION

The purpose of this International Standard is to identify the requirements for Surge Protective Devices (SPDs) used in protecting telecommunication and signalling systems, for example, low-voltage data, voice, and alarm circuits. All of these systems may be exposed to the effects of lightning and power line faults, either through direct contact or induction. These effects may subject the system to overvoltages or overcurrents or both, whose levels are sufficiently high to harm the system. SPDs are intended to provide protection against overvoltages and overcurrents caused by lightning and power line faults. This standard describes tests and requirements which establish methods for testing SPDs and determining their performance.

The SPDs addressed in this International Standard may contain overvoltage protection components only, or a combination of overvoltage and overcurrent protection components. Protection devices containing overcurrent protection components only are not within the coverage of this standard. However, devices with only overcurrent protection components are covered in annex A.

An SPD may comprise several overvoltage and overcurrent protection components. All SPDs are tested on a "black box" basis, i.e., the number of terminals of the SPD determines the testing procedure, not the number of components in the SPD. The SPD configurations are described in 1.2. In the case of multiple line SPDs, each line may be tested independently of the others, but there may also be a need to test all lines simultaneously.

This standard covers a wide range of testing conditions and requirements; the use of some of these is at the discretion of the user. How the requirements of this standard relate to the different types of SPD is described in 1.3. Whilst this is a performance standard and certain capabilities are demanded of the SPDs, failure rates and their interpretation are left to the user. Selection and application principles are covered in IEC 61643-22.

If the SPD is known to be a single component device, it has to meet the requirements of the relevant standard as well as those in this standard.

## LOW VOLTAGE SURGE PROTECTIVE DEVICES –

### Part 21: Surge protective devices connected to telecommunications and signalling networks – Performance requirements and testing methods

#### 1 General

##### 1.1 Scope

This International Standard is applicable to devices for surge protection of telecommunications and signalling networks against indirect and direct effects of lightning or other transient overvoltages.

The purpose of these SPDs is to protect modern electronic equipment connected to telecommunications and signalling networks with nominal system voltages up to 1 000 V (r.m.s.) a.c. and 1 500 V d.c.

##### 1.2 SPD configurations

The SPD configurations described in this standard are shown in figure 1. Each SPD configuration is composed of one or more voltage-limiting components and may include current-limiting components.

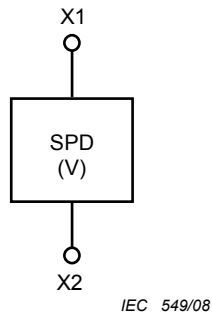


Figure 1a – Two-terminal SPD

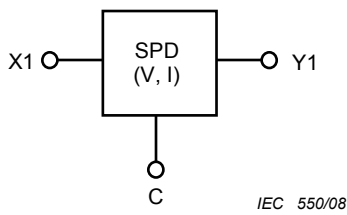


Figure 1b – Three-terminal SPD

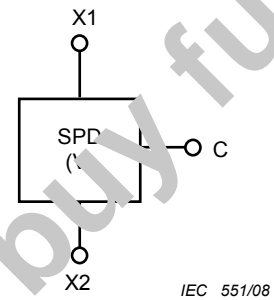


Figure 1c – Three-terminal SPD

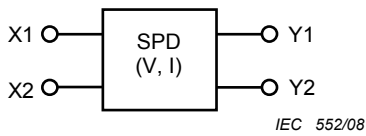


Figure 1d – Four-terminal SPD

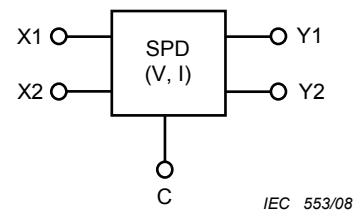


Figure 1e – Five-terminal SPD

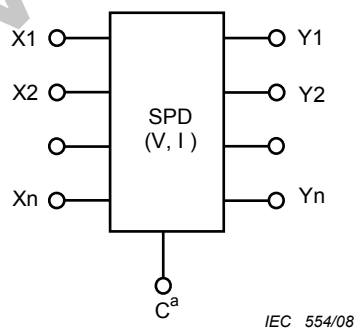


Figure 1f – Multi-terminal SPD

<sup>a</sup> The common terminal C may not be provided.

**Key**

- V                    voltage-limiting component
- V, I                 voltage-limiting components or a combination of voltage-limiting and current-limiting components
- X1, X2...Xn       line terminals
- Y1, Y2...Yn       protected line terminals
- C                    common terminal

Figure 1 – SPD configurations

### 1.3 Use of this standard

This standard considers two basic types of SPD.

The first type of SPD contains at least one voltage-limiting component and no current-limiting component(s) in a housing. All the SPD configurations of figure 1 can be of this type. These SPDs shall satisfy the requirements of 5.1, 5.2.1 and 5.3 (see table 1). The SPDs shown in figures 1b, 1d, 1e and 1f may contain a linear component between the line terminal and the corresponding protected line terminal. These SPDs shall also satisfy the applicable requirements of 5.2.2.

The second type of SPD contains both voltage-limiting and current-limiting components in a housing. SPD configurations shown in figures 1b, 1d, 1e, and 1f are applicable for SPDs with both voltage-limiting and current-limiting components. This type of SPD shall satisfy the requirements of 5.1, 5.2.1, 5.2.2 and 5.3 (see table 1). Configurations of protective devices having only current-limiting components are covered in annex A.

SPDs may need to satisfy additional requirements depending on the application. The additional requirements are described in 5.2.3 and 5.4 (see table 1).

Subclause 5.2.3 provides transmission tests that SPDs may need to conform to, depending on their communication and signalling application. Selection of the applicable transmission tests from 5.2.3 shall be made, based on the intended application of the SPDs. Table 1 provides general guidance on how to select the applicable transmission tests.

Subclause 5.4 provides the environmental requirements when the SPDs are intended only for use in uncontrolled environments as described in 4.1. SPDs shall satisfy these requirements after an agreement between the user and the manufacturer. Table 1 provides examples of what requirements different types of SPD shall satisfy.

Table 1 – General SPD requirements

Test series <sup>4</sup>	Requirement – Test	Sub-clause	Type of SPD					
			SPD with only voltage-limiting function	SPD with both voltage-limiting and current-limiting functions	SPD with voltage-limiting function and linear component between its terminals	SPD having both voltage-limiting and current-limiting functions with enhanced transmission capabilities	SPD having only voltage-limiting function but intended for use in extended range environment	SPD having both voltage-limiting and current-limiting functions but intends for use in extended range environment
1	<b>General test</b>	6.1						
	Identification and documentation	6.1.1	A	A	A	A	A	A
	Marking	6.1.2	A	A	A	A	A	A
	<b>Transmission tests</b>	6.2.3						
	Capacitance	6.2.3.1	A	O	O	O	A	O
	Insertion loss	6.2.3.2	O	A	A	A	O	A
	Return loss	6.2.3.3	O	O	O	A	O	O
	Longitudinal balance	6.2.3.4	O	O	O	A	O	O
	Bit Error Ratio (BER)	6.2.3.5	O	O	O	O	O	O
	Near-end crosstalk (NEXT)	6.2.3.6	O	O	O	A	O	O
	<b>Mechanical tests</b>	6.3						
	Terminals and connectors	6.3.1	A	A	A	A	A	A
	General testing procedure	6.3.1.1	A	A	A	A	A	A
	Terminals with screws	6.3.1.2	A	A	A	A	A	A
	Screwless terminals	6.3.1.3	A	A	A	A	A	A
	Insulating pierced connections	6.3.1.4	A	A	A	A	A	A
	Pull-out-test on SPD terminals designed for single-core conductors	6.3.1.4.1	A	A	A	A	A	A
	Pull-out-test on SPD terminals designed for multi-core cables and cords	6.3.1.4.2	A	A	A	A	A	A
	Mechanical strength (mounting)	6.3.2	A	A	A	A	A	A
	Resistance to ingress of solid objects and to harmful ingress of water	6.3.3	A	A	A	A	A	A
Protection against direct contact	6.3.4	A	A	A	A	A	A	
Fire resistance	6.3.5	A	A	A	A	A	A	

Table 1 (continued)

Test series <sup>4</sup>	Requirement – Test	Sub-clause	Type of SPD					
			SPD with only voltage-limiting function	SPD with both voltage-limiting and current-limiting functions	SPD with voltage-limiting function and linear component between its terminals	SPD having both voltage-limiting and current-limiting functions with enhanced transmission capabilities	SPD having only voltage-limiting function but intended for use in extended range environment	SPD having both voltage-limiting and current-limiting functions but intends for use in extended range environment
	<b>Environmental tests</b>	6.4						
	High temperature and humidity endurance	6.4.1	O	O	O	O	A	A
	Environmental cycling with impulse surges	6.4.2	O	O	O	O	A	A
	Environmental cycling with a.c. surges	6.4.3	O	O	O	O	A	A
2	<b>Voltage limiting tests</b>	6.2.1						
	Maximum continuous operating voltage (U <sub>c</sub> )	6.2.1.1	A	A	A	A	A	A
	Insulation resistance	6.2.1.2	A	A	A	A	A	A
	Impulse durability for voltage limiting function <sup>1</sup>	6.2.1.6	A	A	A	A	A	A
	Impulse-limiting voltage <sup>2</sup>	6.2.1.3	A	A	A	A	A	A
	Impulse reset switching types	6.2.1.4	A	A	A	A	A	A
	AC durability for voltage limiting function <sup>1</sup>	6.2.1.5	O	O	O	O	O	O
	Blind spot test multi stage SPD	6.2.1.8	A	A	A	A	A	A
	Overstressed fault mode	6.2.1.7	A	A	A	A	A	A
3	<b>Current limiting tests</b>	6.2.2						
	Rated current	6.2.2.1	N.A.	A	A	A	N.A.	A
	Series resistance	6.2.2.2	N.A.	A	A	A	N.A.	A
	Current response time	6.2.2.3	N.A.	A	N.A.	A <sup>3</sup>	N.A.	A <sup>3</sup>
	Current reset time	6.2.2.4	N.A.	A	N.A.	A <sup>3</sup>	N.A.	A <sup>3</sup>
	Maximum interrupting voltage	6.2.2.5	N.A.	A	N.A.	A <sup>3</sup>	N.A.	A <sup>3</sup>
	Operating duty test	6.2.2.6	N.A.	A	N.A.	A <sup>3</sup>	N.A.	A <sup>3</sup>
	AC durability for current limiting function <sup>1</sup>	6.2.2.7	N.A.	A	N.A.	A <sup>3</sup>	N.A.	A <sup>3</sup>
	Impulse durability for current limiting function <sup>1</sup>	6.2.2.8	N.A.	A	N.A.	A <sup>3</sup>	N.A.	A <sup>3</sup>
4	<b>Acceptance tests</b>	6.5	O	O	O	O	O	O
A	Applicable.							
N.A.	Not applicable.							
O	Optional.							
<sup>1</sup>	For each category of test impulse a new set of samples can be used.							
<sup>2</sup>	It is admissible to measure the impulse-limiting voltage 6.2.1.3 while testing impulse durability 4.2.1.6.							
<sup>3</sup>	Test not applicable if there is a linear component between its terminals.							
<sup>4</sup>	Each test series is carried out on three samples.							

## 2 Normative references

The following referenced documents are indispensable for the application of this document. For dated references, only the edition cited applies. For undated references, the latest edition of the referenced document (including any amendments) applies.

IEC 60050(702):1992, *International Electrotechnical Vocabulary – Chapter 702: Oscillations, signals and related devices*

IEC 60050(726):1982, *International Electrotechnical Vocabulary – Chapter 726: Transmission lines and waveguides*

IEC 60060-1:1989, *High-voltage test techniques – Part 1: General definitions and test requirements*

IEC 60068-2-30:1980, *Environmental testing – Part 2: Tests – Test Db and guidance: Damp heat, cyclic (12 + 12-hour cycle)*

IEC 60529, *Degrees of protection provided by enclosures (IP code)*

IEC 60695-2-1/1:1994, *Fire hazard testing – Part 2: Test methods – Section 1/sheet 1: Glow-wire end-product test and guidance*

IEC 60950:1999, *Safety of information technology equipment*

IEC 60999-1:1999, *Connecting devices – Electrical copper conductors – Safety requirements for screw-type and screwless-type clamping units – Part 1: General requirements and particular requirements for clamping units for conductors from 0,2 mm<sup>2</sup> up to 35 mm<sup>2</sup> (included)*

IEC 61000-4-5, *Electromagnetic compatibility (EMC) – Part 4: Testing and measurement techniques – Section 5 – Surge immunity test*

IEC 61083-1, *Digital recorders for measurements in high voltage impulse tests – Part 1: Requirements for digital recorders*

IEC 61180-1:1992, *High-voltage test techniques for low-voltage equipment – Part 1: Definitions, test and procedure requirements*

IEC 61643-1, *Surge protective devices connected to low-voltage power distribution systems – Part 1: Performance requirements and testing methods*

IEC 61643-22:2004, *Low-voltage surge protective devices – Part 22: Surge protection devices connected to telecommunications and signalling networks – Selection and application principles*

ITU-T Recommendation K.30:1993, *Positive temperature coefficient (PTC) thermistors*

ITU-T Recommendation K.55:2002, *Overvoltage and overcurrent requirements for insulation displacement connectors (IDC) terminations*

ITU-T Recommendation K.65:2004, *Overvoltage and overcurrent requirements for termination modules with contacts for test ports or SPDs*

ITU-T Recommendation O.9:1999, *Measuring arrangements to assess the degree of unbalance about earth*

## SOMMAIRE

AVANT-PROPOS .....	67
INTRODUCTION .....	69
1 Généralités .....	70
1.1 Domaine d'application .....	70
1.2 Configuration des parafoudres .....	70
1.3 Utilisation de cette norme .....	72
2 Références normatives .....	75
3 Définitions .....	76
4 Conditions d'utilisation et d'essais .....	80
4.1 Conditions d'utilisation .....	80
4.1.1 Conditions normales .....	80
4.1.2 Conditions anormales .....	81
4.2 Conditions d'essais (température et humidité) .....	81
4.3 Conditions d'essai des parafoudres .....	81
4.4 Tolérances des formes d'ondes .....	82
5 Prescriptions .....	82
5.1 Prescriptions générales .....	82
5.1.1 Identification et documentation .....	82
5.1.2 Marquage .....	83
5.2 Prescriptions électriques .....	83
5.2.1 Prescription de limitation de tension .....	83
5.2.2 Prescriptions de limitation en courant .....	84
5.2.3 Prescriptions de transmission .....	85
5.3 Prescriptions mécaniques .....	86
5.3.1 Bornes et connecteurs .....	86
5.3.2 Contraintes mécaniques .....	87
5.3.3 Résistance à l'introduction de corps solides et d'eau .....	87
5.3.4 Protection contre les contacts directs .....	87
5.3.5 Résistance au feu .....	87
5.4 Prescriptions d'environnement .....	88
5.4.1 Hautes températures et résistance à l'humidité .....	88
5.4.2 Conditions d'ambiances cyclées avec impulsions .....	88
5.4.3 Conditions d'ambiance cyclées en courant alternatif .....	88
6 Essais de type .....	89
6.1 Essais généraux .....	89
6.1.1 Renseignements documentaires et identification .....	89
6.1.2 Marquage .....	89
6.2 Essais électriques .....	89
6.2.1 Essais de limitation de tension .....	89
6.2.2 Essais de limitation en courant .....	96
6.2.3 Essais de transmission .....	99
6.3 Essais mécaniques .....	102
6.3.1 Bornes et connecteurs .....	102
6.3.2 Contrainte mécanique (montage) .....	104
6.3.3 Résistance à l'introduction de corps solides et d'eau .....	104

6.3.4	Protection contre les contacts directs .....	104
6.3.5	Résistance au feu .....	104
6.4	Essais d'environnement .....	105
6.4.1	Hautes températures et résistance à l'humidité .....	105
6.4.2	Conditions d'ambiance cyclées avec impulsions transitoires .....	106
6.4.3	Conditions d'ambiance cyclées avec chocs en courant alternatif.....	106
6.5	Essais de réception .....	107
Annexe A (informative) Appareils n'ayant qu'une fonction de limitation en courant .....		121
Annexe B ( <i>Vacant</i> ) .....		122
Annexe C ( <i>Vacant</i> ).....		123
Annexe D (informative) Exactitude de mesure .....		124
Annexe E (informative) Détermination du courant conventionnel de non-fonctionnement ( $I_p$ ) .....		125
Bibliographie .....		128
Figure 1 – Configurations des parafoudres .....		71
Figure 16 – Exemples de parafoudres à lignes multiples à élément de protection commun.....		92
Figure 2 – Circuit d'essai pour le temps de réamorçage en impulsion .....		108
Figure 3 – Circuits d'essais pour l'endurance en courant alternatif et le mode de défaut par surcharge .....		109
Figure 4 – Circuit d'essai pour l'endurance aux impulsions et le mode de défaut par surcharge.....		110
Figure 5 – Circuit d'essai pour le courant assigné, résistance série, temps de réponse, temps de réamorçage en courant, tension de coupure maximale et essai de fonctionnement.....		111
Figure 6 – Circuits d'essai pour l'endurance en courant alternatif.....		112
Figure 7 –Circuit d'essai pour l'endurance en impulsionnel .....		113
Figure 8 –Circuit d'essai pour la perte d'insertion.....		114
Figure 9 – Circuit d'essai pour le facteur d'adaptation (en réflexion).....		114
Figure 10 – Circuit d'essai pour l'affaiblissement de conversion longitudinal .....		115
Figure 11 – Circuit d'essai pour le taux d'erreur binaire.....		116
Figure 12 – Circuit d'essai pour la paradiaphonie.....		117
Figure 13 – Circuit d'essai pour l'endurance aux hautes températures/humidités et l'ambiance cyclée.....		118
Figure 14 – Cycles A pour les essais de conditions d'ambiance avec un RH $\geq$ 90 %.....		119
Figure 15 – Cycle B pour les essais de conditions d'ambiance .....		120
Figure A.1 – Configurations des parafoudres n'ayant que des composants de limitation de courant.....		121
Figure E.1 – Détermination du courant conventionnel de non-fonctionnement en mode différentiel .....		125
Figure E.2 – Détermination du courant conventionnel de non-fonctionnement en mode commun .....		126
Figure E.3 – Détermination du courant conventionnel de non-fonctionnement en mode différentiel .....		126
Figure E.4 – Détermination du courant conventionnel de non-fonctionnement en mode différentiel .....		126

Figure E.5 – Détermination du courant conventionnel de non-fonctionnement maximal en mode commun .....	126
Figure E.6 – Détermination du courant conventionnel de non-fonctionnement maximal en mode commun avec des parafoudres multibornes.....	127
Tableau 1 – Exigences générales des parafoudres .....	73
Tableau 2 – Tolérances pour les formes d’ondes A/B .....	82
Tableau 3 – Formes d’ondes de courant et de tension pour la tension de limitation impulsionnelle .....	91
Tableau 4 – Sources de tension et de courant, pour les essais de réamorçage sur impulsion .....	93
Tableau 5 – Valeurs préférentielles du courant pour l’essai d’endurance en courant alternatif .....	94
Tableau 6 – Courants d’essai pour le temps de réponse .....	96
Tableau 7 – Valeurs préférentielles, pour le courant d’essai de fonctionnement .....	98
Tableau 8 – Valeurs préférentielles pour courants alternatifs .....	98
Tableau 9 – Valeurs préférentielles de courants impulsionnels .....	99
Tableau 10 – Paramètres normalisés pour la Figure 8 .....	99
Tableau 11 – Valeurs d’impédances pour l’essai d’affaiblissement de conversion longitudinale .....	101
Tableau 12 – Durée pour l’essai de TEB.....	101
Tableau 13 – Sections connectables de conducteurs en cuivre, pour des bornes à vis ou sans vis.....	102
Tableau 14 – Forces de traction (bornes sans vis).....	103
Tableau 15 – Valeurs préférentielles de périodes pour l’essai de hautes températures et de résistance à l’humidité.....	105
Tableau 16 – Valeurs préférentielles des temps et températures pour les essais de conditions d’ambiance cyclées.....	106

## COMMISSION ÉLECTROTECHNIQUE INTERNATIONALE

---

### PARAFONDRES BASSE TENSION –

#### **Partie 21: Parafoudres connectés aux réseaux de signaux et de télécommunications – Prescriptions de fonctionnement et méthodes d'essais**

#### AVANT-PROPOS

- 1) La Commission Electrotechnique Internationale (CEI) est une organisation mondiale de normalisation composée de l'ensemble des comités électrotechniques nationaux (Comités nationaux de la CEI). La CEI a pour objet de favoriser la coopération internationale pour toutes les questions de normalisation dans les domaines de l'électricité et de l'électronique. A cet effet, la CEI – entre autres activités – publie des Normes internationales, des Spécifications techniques, des Rapports techniques, des Spécifications accessibles au public (PAS) et des Guides (ci-après dénommés "Publication(s) de la CEI"). Leur élaboration est confiée à des comités d'études, aux travaux desquels tout Comité national intéressé par le sujet traité peut participer. Les organisations internationales, gouvernementales et non gouvernementales, en liaison avec la CEI, participent également aux travaux. La CEI collabore étroitement avec l'Organisation Internationale de Normalisation (ISO), selon des conditions fixées par accord entre les deux organisations.
- 2) Les décisions ou accords officiels de la CEI concernant les questions techniques représentent, dans la mesure du possible, un accord international sur les sujets étudiés, étant donné que les Comités nationaux de la CEI intéressés sont représentés dans chaque comité d'études.
- 3) Les Publications de la CEI se présentent sous la forme de recommandations internationales et sont agréées comme telles par les Comités nationaux de la CEI. Tous les efforts raisonnables sont entrepris afin que la CEI s'assure de l'exactitude du contenu technique de ses publications; la CEI ne peut pas être tenue responsable de l'éventuelle mauvaise utilisation ou interprétation qui en est faite par un quelconque utilisateur final.
- 4) Dans le but d'encourager l'uniformité internationale, les Comités nationaux de la CEI s'engagent, dans toute la mesure possible, à appliquer de façon transparente les Publications de la CEI dans leurs publications nationales et régionales. Toutes divergences entre toutes Publications de la CEI et toutes publications nationales ou régionales correspondantes doivent être indiquées en termes clairs dans ces dernières.
- 5) La CEI n'a prévu aucune procédure de marquage valant indication d'approbation et n'engage pas sa responsabilité pour les équipements déclarés conformes à une de ses Publications.
- 6) Tous les utilisateurs doivent s'assurer qu'ils sont en possession de la dernière édition de cette publication.
- 7) Aucune responsabilité ne doit être imputée à la CEI, à ses administrateurs, employés, auxiliaires ou mandataires, y compris ses experts particuliers et les membres de ses comités d'études et des Comités nationaux de la CEI, pour tout préjudice causé en cas de dommages corporels et matériels, ou de tout autre dommage de quelque nature que ce soit, directe ou indirecte, ou pour supporter les coûts (y compris les frais de justice) et les dépenses découlant de la publication ou de l'utilisation de cette Publication de la CEI ou de toute autre Publication de la CEI, ou au crédit qui lui est accordé.
- 8) L'attention est attirée sur les références normatives citées dans cette publication. L'utilisation de publications référencées est obligatoire pour une application correcte de la présente publication.
- 9) L'attention est attirée sur le fait que certains des éléments de la présente Publication de la CEI peuvent faire l'objet de droits de propriété intellectuelle ou de droits analogues. La CEI ne saurait être tenue pour responsable de ne pas avoir identifié de tels droits de propriété et de ne pas avoir signalé leur existence.

La Norme internationale CEI 61643-21 a été établie par le sous-comité 37A: Dispositifs de protection basse tension contre les surtensions, du comité d'études 37 de la CEI: Parafoudres.

Cette version consolidée de la CEI 61643-21 comprend la première édition (2000) [documents 37A/101/FDIS et 37A/104/RVD], son amendement 1 (2008) [documents 37A/200/FDIS et 37A/201/RVD] et son corrigendum de mars 2001.

Le contenu technique de cette version consolidée est donc identique à celui de l'édition de base et à son amendement; cette version a été préparée par commodité pour l'utilisateur.

Elle porte le numéro d'édition 1.1.

Une ligne verticale dans la marge indique où la publication de base a été modifiée par l'amendement 1.

Le comité a décidé que le contenu de la publication de base et de ses amendements ne sera pas modifié avant la date de maintenance indiquée sur le site web de la CEI sous "<http://webstore.iec.ch>" dans les données relatives à la publication recherchée. A cette date, la publication sera

- reconduite,
- supprimée,
- remplacée par une édition révisée, ou
- amendée.

## INTRODUCTION

La présente Norme internationale se propose de répertorier les exigences relatives aux dispositifs de protection contre les surtensions, appelés parafoudres et utilisés dans la protection des systèmes de télécommunications et de transmission de signaux, par exemple données, voix et circuits d'alarme en basse tension. Tous ces systèmes peuvent être exposés aux effets de la foudre et aux défauts des réseaux de distribution d'énergie électrique, soit par contact direct, soit par induction. Ces effets peuvent soumettre le système à des surtensions et/ou des surintensités, dont les niveaux sont suffisamment hauts pour l'endommager. Les parafoudres sont construits pour procurer une protection contre les surtensions et éventuellement les surintensités dues à la foudre et aux défauts des lignes de distribution d'énergie. Cette norme décrit les essais et les exigences définissant des méthodes pour tester les parafoudres et déterminer leurs performances.

Les parafoudres, concernés par cette norme internationale, peuvent comporter des composants de protection contre les surtensions seulement ou une combinaison de composants de protection contre les surtensions et contre les surintensités. Les protections, contenant seulement des composants contre les surintensités, ne sont pas concernées par la présente norme. Cependant, des dispositifs, n'ayant que des composants de protection contre les surintensités, sont couverts par l'annexe A.

Un parafoudre peut contenir plusieurs composants de protection contre les surtensions et contre les surintensités. Tous les parafoudres sont essayés, comme une «boîte noire», à savoir que c'est le nombre de bornes du parafoudre qui détermine la procédure d'essai et non pas le nombre de composants du parafoudre. Les configurations des parafoudres sont décrites en 1.2. Pour les parafoudres à lignes multiples, chaque ligne peut être essayée indépendamment des autres, mais il peut apparaître aussi le besoin d'essayer toutes les lignes simultanément.

Cette norme concerne une large gamme de conditions d'essais et d'exigences ; l'utilisation de certaines d'entre elles est à la discrétion de l'utilisateur. La façon d'utiliser cette norme en fonction des différents modèles de parafoudres est décrite en 1.3. Bien qu'il s'agisse d'une norme de performances et que certaines qualités soient exigées des parafoudres, les taux d'échec et leur interprétation sont du ressort de l'utilisateur. La sélection et les principes d'application sont traités dans la CEI 61643-22.

S'il est admis que le parafoudre n'a qu'un seul composant, il faut qu'il respecte les prescriptions de la norme correspondante ainsi que celles de la présente norme.

## **PARAFODRES BASSE TENSION –**

### **Partie 21: Parafoudres connectés aux réseaux de signaux et de télécommunications – Prescriptions de fonctionnement et méthodes d'essais**

#### **1 Généralités**

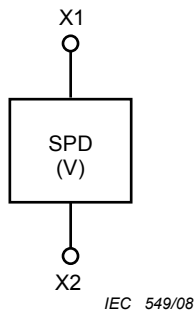
##### **1.1 Domaine d'application**

La présente Norme internationale est applicable aux dispositifs de protection (parafoudres) contre les effets directs et indirects de la foudre ou des autres surtensions transitoires, pour les réseaux de télécommunications et de transmission de signaux.

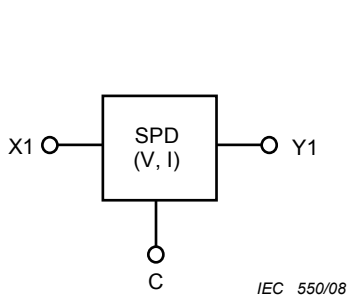
Ces parafoudres sont destinés à protéger les équipements électroniques modernes, connectés aux réseaux de télécommunications et de transmission de signaux, ayant une tension nominale de fonctionnement jusqu'à 1 000 V (efficace) en courant alternatif et 1 500 V en courant continu.

##### **1.2 Configuration des parafoudres**

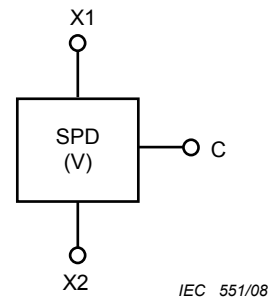
Les configurations des parafoudres décrites dans cette norme sont représentées à la figure 1. Chaque configuration de parafoudre est composée d'un ou de plusieurs composants limiteurs de tension et peut inclure des composants limiteurs de courant.



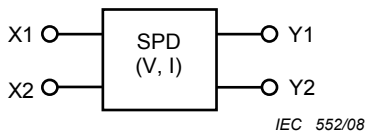
**Figure 1a – Parafoudre à 2 bornes**



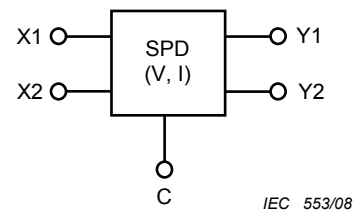
**Figure 1b – Parafoudre à 3 bornes**



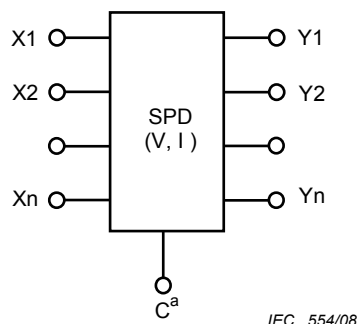
**Figure 1c – Parafoudre à 3 bornes**



**Figure 1d – Parafoudre à 4 bornes**



**Figure 1e – Parafoudre à 5 bornes**



<sup>a</sup> La borne commune C peut ne pas exister.

**Figure 1f – Parafoudre multibornes**

**Légende**

- V composant limiteur de tension
- V, I composants limiteurs de tension ou combinaison de composants limiteurs de tension et limiteurs de courant
- X1, X2...Xn bornes de lignes
- Y1, Y2...Yn bornes de lignes protégées
- C borne commune

**Figure 1 – Configurations des parafoudres**

### 1.3 Utilisation de cette norme

Cette norme traite de 2 types fondamentaux de parafoudres.

Le premier type contient au moins un composant limiteur de tension et ne contient aucun composant limiteur de courant à l'intérieur du parafoudre. Toutes les configurations de parafoudres de la figure 1 lui sont applicables. Ce type de parafoudre doit satisfaire aux exigences de 5.1, 5.2.1 et 5.3 (voir tableau 1). Cependant, si un parafoudre contient un composant linéaire entre les bornes de lignes et les bornes de lignes protégées – comme aux figures 1b, 1d, 1e et 1f, il doit aussi satisfaire aux exigences applicables du 5.2.2.

Le deuxième type contient à la fois des composants limiteurs de tension et des composants limiteurs de courant à l'intérieur du parafoudre. Les configurations de parafoudres des figures 1b, 1d, 1e et 1f lui sont applicables. Ce type de parafoudre doit satisfaire au moins aux exigences de 5.1, 5.2.1, 5.2.2 et 5.3 (voir tableau 1). Les configurations de parafoudres ne contenant que des composants limiteurs de courant sont données à l'annexe A.

Il se peut que les parafoudres aient à satisfaire à d'autres exigences, selon leurs applications. Ces exigences supplémentaires sont décrites en 5.2.3 et en 5.4 (voir tableau 1).

Le Paragraphe 5.2.3 traite de quelques essais de transmission auxquels les parafoudres peuvent avoir à se conformer, selon leurs applications en télécommunications ou en transmission de signaux. Ainsi, une sélection des essais de transmission applicables doit être faite selon 5.2.3, en fonction des objectifs d'application des parafoudres. Le Tableau 1 donne des lignes directrices pour choisir les essais de transmission applicables.

Le paragraphe 5.4 traite des exigences d'environnement, seulement quand les parafoudres sont destinés à une utilisation dans des conditions ambiantes non déterminées, telles que décrites en 4.1. Les parafoudres doivent satisfaire à ces exigences, après accord entre l'utilisateur et le fabricant. Le tableau 1 indique des exemples d'exigences que chaque type de parafoudre doit satisfaire.

Tableau 1 – Exigences générales des parafoudres

Série d'essai 4	Exigence – Essai	Paragraphe	Type de parafoudre					
			Parafoudre limiteur de tension	Parafoudre limiteur de tension et de courant	Parafoudre limiteur de tension et ayant un composant linéaire entre ses bornes	Parafoudre limiteur de tension et limiteur de courant et ayant des bornes à capacités de transmission	Parafoudre limiteur de tension, mais destiné à un environnement à conditions étendues	Parafoudre limiteur de tension et de courant, mais destiné à un environnement à conditions étendues
1	<b>Essais généraux</b>	6.1						
	Identification et documentation	6.1.1	A	A	A	A	A	A
	Marquage	6.1.2	A	A	A	A	A	A
	<b>Essais de transmission</b>	6.2.3						
	Capacité	6.2.3.1	A	O	O	O	A	O
	Perte d'insertion (ou affaiblissement)	6.2.3.2	O	A	A	A	O	A
	Facteur d'adaptation	6.2.3.3	O	O	O	A	O	O
	Affaiblissement de conversion longitudinal (ACL)	6.2.3.4	O	O	O	A	O	O
	Taux d'erreur binaire (TEB)	6.2.3.5	O	O	O	O	O	O
	Paradiaphonie	6.2.3.6	O	O	O	A	O	O
	<b>Essais mécaniques</b>	6.3						
	Bornes et connecteurs	6.3.1	A	A	A	A	A	A
	Procédure générale d'essai	6.3.1.1	A	A	A	A	A	A
	Bornes à vis	6.3.1.2	A	A	A	A	A	A
	Bornes sans vis	6.3.1.3	A	A	A	A	A	A
	Connexions à perçage d'isolant	6.3.1.4	A	A	A	A	A	A
	Essai de traction pour des bornes de parafoudres à monoconducteurs	6.3.1.4.1	A	A	A	A	A	A
	Essai de traction pour des parafoudres conçus pour des câbles multiconducteurs et des cordons	6.3.1.4.2	A	A	A	A	A	A
	Contrainte mécanique (montage)	6.3.2	A	A	A	A	A	A

Tableau 1 (suite)

Série d'essai <sup>4</sup>	Exigence – Essai	Paragraphe	Type de parafoudre					
			Parafoudre limiteur de tension	Parafoudre limiteur de tension et de courant	Parafoudre limiteur de tension et ayant un composant linéaire entre ses bornes	Parafoudre limiteur de tension et limiteur de courant et ayant des bornes à capacités de transmission	Parafoudre limiteur de tension, mais destiné à un environnement à conditions étendues	Parafoudre limiteur de tension et de courant, mais destiné à un environnement à conditions étendues
	Résistance à l'introduction de corps solides et d'eau	6.3.3	A	A	A	A	A	A
	Protection contre les contacts directs	6.3.4	A	A	A	A	A	A
	Résistance au feu	6.3.5	A	A	A	A	A	A
	<b>Essais d'environnement</b>	6.4						
	Hautes températures et résistance à l'humidité	6.4.1	O	O	O	O	A	A
	Conditions d'ambiance cyclées avec impulsions transitoires	6.4.2	O	O	O	O	A	A
	Conditions d'ambiance cyclées avec chocs en courant alternatif	6.4.3	O	O	O	O	A	A
2	<b>Essais de limitation de tension</b>	6.2.1						
	Tension maximale de service permanent $U_C$	6.2.1.1	A	A	A	A	A	A
	Résistance d'isolement	6.2.1.2	A	A	A	A	A	A
	Endurance aux impulsions pour la fonction de limitation de tension	6.2.1.6	A	A	A	A	A	A
	Tension de limitation impulsionnelle <sup>2</sup>	6.2.1.3	A	A	A	A	A	A
	Réamorçage sur impulsion	6.2.1.4	A	A	A	A	A	A
	Endurance en courant alternatif pour la fonction de limitation de tension	6.2.1.5	O	O	O	O	O	O
	Essai du point aveugle	6.2.1.8	A	A	A	A	A	A
	Mode de défaut par surcharge	6.2.1.7	A	A	A	A	A	A
3	<b>Essais de limitation de courant</b>	6.2.2						
	Courant assigné	6.2.2.1	N.A.	A	A	A	N.A.	A
	Résistance série	6.2.2.2	N.A.	A	A	A	N.A.	A
	Temps de réponse en courant	6.2.2.3	N.A.	A	N.A.	A <sup>3</sup>	N.A.	A <sup>3</sup>
	Temps de réamorçage en courant	6.2.2.4	N.A.	A	N.A.	A <sup>3</sup>	N.A.	A <sup>3</sup>
	Tension maximale de coupure	6.2.2.5	N.A.	A	N.A.	A <sup>3</sup>	N.A.	A <sup>3</sup>
	Essai de fonctionnement	6.2.2.6	N.A.	A	N.A.	A <sup>3</sup>	N.A.	A <sup>3</sup>

Tableau 1 (suite)

Série d'essai <sup>4</sup>	Exigence – Essai	Paragraphe	Type de parafoudre					
			Parafoudre limiteur de tension	Parafoudre limiteur de tension et de courant	Parafoudre limiteur de tension et ayant un composant linéaire entre ses bornes	Parafoudre limiteur de tension et limiteur de courant et ayant des bornes à capacités de transmission	Parafoudre limiteur de tension, mais destiné à un environnement à conditions étendues	Parafoudre limiteur de tension et de courant, mais destiné à un environnement à conditions étendues
	Endurance en courant alternatif pour la fonction de limitation de courant <sup>1</sup>	6.2.2.7	N.A.	A	N.A.	A <sup>3</sup>	N.A.	A <sup>3</sup>
	Endurance impulsionnelle pour la fonction de limitation de courant <sup>1</sup>	6.2.2.8	N.A.	A	N.A.	A <sup>3</sup>	N.A.	A <sup>3</sup>
4	<b>Essais de réception</b>	6.5	O	O	O	O	O	O
A	S'applique.							
N.A.	Ne s'applique pas.							
O	Optionnel.							
1	Pour chaque catégorie d'impulsion d'essai, on peut utiliser un nouveau lot d'échantillons.							
2	Il est admis de mesurer la tension de limitation impulsionnelle 6.2.1.3 au cours de l'essai d'endurance impulsionnelle 4.2.1.6.							
3	L'essai ne s'applique pas en présence d'un composant linéaire entre ses bornes.							
4	On prend trois échantillons pour chaque série d'essai.							

## 2 Références normatives

Les documents de référence suivants sont indispensables pour l'application du présent document. Pour les références datées, seule l'édition citée s'applique. Pour les références non datées, la dernière édition du document de référence s'applique (y compris les éventuels amendements).

CEI 60050(702):1992, *Vocabulaire Electrotechnique International – Chapitre 702: Oscillations, signaux et dispositifs associés*

CEI 60050(726):1982, *Vocabulaire Electrotechnique International – Chapitre 726: Lignes de transmission et guides d'ondes*

CEI 60060-1:1989, *Techniques des essais à haute tension – Partie 1: Définitions et prescriptions générales relatives aux essais*

CEI 60068-2-30:1980, *Essais d'environnement – Partie 2: Essais – Essai Db et guide: Essai cyclique de chaleur humide (cycle de 12+12 heures)*

CEI 60529, *Degrés de protection procurés par les enveloppes (code IP)*

CEI 60695-2-1/1:1994, *Essais relatifs aux risques du feu – Partie 2: Méthodes d'essai – Section 1/Feuille 1: Essai au fil incandescent sur produits finis et guide*

CEI 60950:1999, *Sécurité des matériels de traitement de l'information*

CEI 60999-1:1999, *Dispositifs de connexion – Conducteurs électriques en cuivre – Prescriptions de sécurité pour organes de serrage à vis et sans vis – Partie 1: Prescriptions générales et particulières pour les organes de serrage pour les conducteurs de 0,2 mm<sup>2</sup> à 35 mm<sup>2</sup> (inclus)*

| CEI 61000-4-5, *Compatibilité électromagnétique (CEM) – Partie 4: Techniques d'essai et de mesure – Section 5: Essai d'immunité aux ondes de choc*

| CEI 61083-1, *Enregistreurs numériques pour les mesures pendant les essais de choc à haute tension – Partie 1: Prescriptions pour des enregistreurs numériques*

CEI 61180-1:1992, *Techniques des essais à haute tension pour matériels à basse tension – Partie 1: Définitions, prescriptions et modalités relatives aux essais*

| CEI 61643-1, *Dispositifs de protection contre les surtensions connectés aux réseaux de distribution basse tension – Partie 1: Prescriptions de fonctionnement et méthodes d'essai*

| CEI 61643-22:2004, *Parafoudres basse tension – Partie 22: Parafoudres connectés aux réseaux de signaux et de télécommunications – Principes de choix et d'application*

UIT-T Recommandation K.30:1993, *Thermistances à coefficient de température positif*

| UIT-T Recommandation K.55:2002, *Prescriptions de surtension et de surintensité pour les terminaisons par connecteur autodénudant*

UIT-T Recommandation K.65:2004, *Spécifications relatives aux surtensions et aux surintensités pour les modules de terminaison avec des contacts pour les ports d'essai ou les limiteurs de surtension*

| UIT-T Recommandation O.9:1999, *Montages pour la mesure du degré de dissymétrie par rapport à la terre*