

INTERNATIONAL STANDARD

NORME INTERNATIONALE

Connectors for electrical and electronic equipment – Product requirements – Part 8-104: Power connectors – Detail specification for 2-pole circular connectors with 40 A rated current and push pull locking IP65/IP67 with metal housing

Connecteurs pour équipements électriques et électroniques – Exigences de produit – Partie 8-104: Connecteurs d'alimentation – Spécification particulière relative aux connecteurs circulaires bipolaires avec un courant assigné de 40 A et un mécanisme de verrouillage de type pousser-tirer IP65/IP67, logés dans un boîtier métallique



THIS PUBLICATION IS COPYRIGHT PROTECTED
Copyright © 2023 IEC, Geneva, Switzerland

All rights reserved. Unless otherwise specified, no part of this publication may be reproduced or utilized in any form or by any means, electronic or mechanical, including photocopying and microfilm, without permission in writing from either IEC or IEC's member National Committee in the country of the requester. If you have any questions about IEC copyright or have an enquiry about obtaining additional rights to this publication, please contact the address below or your local IEC member National Committee for further information.

Droits de reproduction réservés. Sauf indication contraire, aucune partie de cette publication ne peut être reproduite ni utilisée sous quelque forme que ce soit et par aucun procédé, électronique ou mécanique, y compris la photocopie et les microfilms, sans l'accord écrit de l'IEC ou du Comité national de l'IEC du pays du demandeur. Si vous avez des questions sur le copyright de l'IEC ou si vous désirez obtenir des droits supplémentaires sur cette publication, utilisez les coordonnées ci-après ou contactez le Comité national de l'IEC de votre pays de résidence.

IEC Secretariat
3, rue de Varembe
CH-1211 Geneva 20
Switzerland

Tel.: +41 22 919 02 11
info@iec.ch
www.iec.ch

About the IEC

The International Electrotechnical Commission (IEC) is the leading global organization that prepares and publishes International Standards for all electrical, electronic and related technologies.

About IEC publications

The technical content of IEC publications is kept under constant review by the IEC. Please make sure that you have the latest edition, a corrigendum or an amendment might have been published.

IEC publications search - webstore.iec.ch/advsearchform

The advanced search enables to find IEC publications by a variety of criteria (reference number, text, technical committee, ...). It also gives information on projects, replaced and withdrawn publications.

IEC Just Published - webstore.iec.ch/justpublished

Stay up to date on all new IEC publications. Just Published details all new publications released. Available online and once a month by email.

IEC Customer Service Centre - webstore.iec.ch/csc

If you wish to give us your feedback on this publication or request further assistance, please contact the Customer Service Centre: sales@iec.ch.

IEC Products & Services Portal - products.iec.ch

Discover our powerful search engine and read freely all the publications preview. With a subscription you will always have access to up-to-date content tailored to your needs.

Electropedia - www.electropedia.org

The world's leading online dictionary on electrotechnology, containing more than 22 300 terminological entries in English and French, with equivalent terms in 19 additional languages. Also known as the International Electrotechnical Vocabulary (IEV) online.

A propos de l'IEC

La Commission Electrotechnique Internationale (IEC) est la première organisation mondiale qui élabore et publie des Normes internationales pour tout ce qui trait à l'électricité, à l'électronique et aux technologies apparentées.

A propos des publications IEC

Le contenu technique des publications IEC est constamment revu. Veuillez vous assurer que vous possédez l'édition la plus récente, un corrigendum ou amendement peut avoir été publié.

Recherche de publications IEC -

webstore.iec.ch/advsearchform

La recherche avancée permet de trouver des publications IEC en utilisant différents critères (numéro de référence, texte, comité d'études, ...). Elle donne aussi des informations sur les projets et les publications remplacées ou retirées.

IEC Just Published - webstore.iec.ch/justpublished

Restez informé sur les nouvelles publications IEC. Just Published détaille les nouvelles publications parues. Disponible en ligne et une fois par mois par email.

Service Clients - webstore.iec.ch/csc

Si vous désirez nous donner des commentaires sur cette publication ou si vous avez des questions contactez-nous: sales@iec.ch.

IEC Products & Services Portal - products.iec.ch

Découvrez notre puissant moteur de recherche et consultez gratuitement tous les aperçus des publications. Avec un abonnement, vous aurez toujours accès à un contenu à jour adapté à vos besoins.

Electropedia - www.electropedia.org

Le premier dictionnaire d'électrotechnologie en ligne au monde, avec plus de 22 300 articles terminologiques en anglais et en français, ainsi que les termes équivalents dans 19 langues additionnelles. Egalement appelé Vocabulaire Electrotechnique International (IEV) en ligne.

INTERNATIONAL STANDARD

NORME INTERNATIONALE

**Connectors for electrical and electronic equipment – Product requirements –
Part 8-104: Power connectors – Detail specification for 2-pole circular
connectors with 40 A rated current and push-pull locking IP65/IP67 with metal
housing**

**Connecteurs pour équipements électriques et électroniques – Exigences de
produit –
Partie 8-104: Connecteurs d'alimentation – Spécification particulière relative aux
connecteurs circulaires bipolaires avec un courant assigné de 40 A et un
mécanisme de verrouillage de type pousser-tirer IP65/IP67, logés dans un boîtier
métallique**

INTERNATIONAL
ELECTROTECHNICAL
COMMISSION

COMMISSION
ELECTROTECHNIQUE
INTERNATIONALE

ICS 31.220.10

ISBN 978-2-8322-6844-5

**Warning! Make sure that you obtained this publication from an authorized distributor.
Attention! Veuillez vous assurer que vous avez obtenu cette publication via un distributeur agréé.**

CONTENTS

FOREWORD.....	5
1 Scope.....	8
2 Normative references	8
3 Terms and definitions	11
4 Technical information	11
4.1 Recommended method of termination	11
4.1.1 General	11
4.1.2 Number of contacts and contact cavities.....	11
4.2 Ratings and characteristics	11
4.3 Systems of levels.....	12
4.3.1 Performance levels	12
4.3.2 Compatibility levels.....	12
4.4 Classification into climatic categories.....	12
4.5 Creepage and clearance distances	12
4.6 Current-carrying capacity	12
4.7 Marking.....	12
5 Dimensional information	12
5.1 General.....	12
5.2 Isometric view and common features	12
5.2.1 General	12
5.2.2 Isometric view of free connector	13
5.2.3 Isometric view of fixed connector.....	13
5.3 Free connector.....	13
5.3.1 General	13
5.3.2 Dimensions.....	14
5.3.3 Terminations.....	15
5.4 Fixed connector	15
5.4.1 Dimensions (see Figure 4 and Table 2)	15
5.4.2 Termination	16
5.5 Mounting information for connectors	16
5.6 Gauges – Spring gauges and retention force gauges.....	16
6 Technical characteristics	16
6.1 Classification into climatic categories.....	16
6.2 Electrical characteristics	16
6.2.1 Creepage and clearance distances	16
6.2.2 Voltage proof.....	17
6.2.3 Current-carrying capacity.....	17
6.2.4 Electrical load and temperature	17
6.2.5 Contact resistance.....	18
6.2.6 Housing electrical continuity	18
6.2.7 Insulation resistance.....	18
6.3 Mechanical characteristics	18
6.3.1 Mechanical operation.....	18
6.3.2 Effectiveness of connector coupling devices	18
6.3.3 Gauge retention force (resilient contact)	18
6.3.4 Engaging and separating forces.....	19

6.3.5	Contact retention in insert.....	19
6.3.6	Polarizing and keying method.....	19
6.4	Dynamic stress tests.....	19
6.4.1	Vibration (sine).....	19
6.4.2	Shock.....	19
6.4.3	Free fall (repeated).....	20
6.4.4	IP degree of protection.....	20
6.4.5	Glow-wire flammability test method for end-products (GWEPT).....	20
6.5	Climatic tests.....	20
6.5.1	Rapid change of temperature.....	20
6.5.2	Dry heat.....	20
6.5.3	Low temperature.....	20
6.5.4	Low air pressure.....	21
6.5.5	Damp heat, cyclic.....	21
6.5.6	Damp heat, steady state.....	21
6.5.7	Corrosion, salt mist.....	21
6.5.8	Flowing mixed gas corrosion.....	21
6.6	Environmental aspects.....	21
6.6.1	Marking of insulation material (plastic).....	21
6.6.2	Design/use of material.....	21
7	Test schedule.....	22
7.1	General.....	22
7.2	Test schedules.....	22
7.2.1	Basic (minimum) test schedule.....	22
7.2.2	Full test schedule.....	22
7.3	Test procedures and measurement methods.....	33
7.4	Pre-conditioning.....	33
7.5	Wiring and mounting of test specimens.....	33
7.5.1	Wiring.....	33
7.5.2	Mounting.....	33
	Figure 1 – Free connector.....	13
	Figure 2 – Fixed connector.....	13
	Figure 3 – Free connector.....	14
	Figure 4 – Fixed connector.....	15
	Figure 5 – Gauge for contact.....	16
	Figure 6 – Current-temperature derating (6 mm ² wire size).....	17
	Table 1 – Free connector dimensions.....	14
	Table 2 – Fixed connector dimensions.....	15
	Table 3 – Gauge dimensions.....	16
	Table 4 – Climatic category.....	16
	Table 5 – Voltage proof.....	17
	Table 6 – Number of test specimens.....	22
	Table 7 – Test group P.....	23
	Table 8 – Test group AP.....	24

Table 9 – Test group BP	27
Table 10 – Test group CP	29
Table 11 – Test group DP	30
Table 12 – Test group EP	32
Table 13 – Test group GP.....	32

Currently in preview, click buy full version

INTERNATIONAL ELECTROTECHNICAL COMMISSION

**CONNECTORS FOR ELECTRICAL AND ELECTRONIC EQUIPMENT –
PRODUCT REQUIREMENTS –****Part 8-104: Power connectors –
Detail specification for 2-pole circular connectors with 40 A
rated current and push-pull locking IP65/IP67 with metal housing**

FOREWORD

- 1) The International Electrotechnical Commission (IEC) is a worldwide organization for standardization comprising all national electrotechnical committees (IEC National Committees). The object of IEC is to promote international co-operation on all questions concerning standardization in the electrical and electronic fields. To this end and in addition to other activities, IEC publishes International Standards, Technical Specifications, Technical Reports, Publicly Available Specifications (PAS) and Guides (hereafter referred to as "IEC Publication(s)"). Their preparation is entrusted to technical committees; any IEC National Committee interested in the subject dealt with may participate in this preparatory work. International, governmental and non-governmental organizations liaising with the IEC also participate in this preparation. IEC collaborates closely with the International Organization for Standardization (ISO) in accordance with conditions determined by agreement between the two organizations.
- 2) The formal decisions or agreements of IEC on technical matters express, as nearly as possible, an international consensus of opinion on the relevant subjects since each technical committee has representation from all interested IEC National Committees.
- 3) IEC Publications have the form of recommendations for international use and are accepted by IEC National Committees in that sense. While all reasonable efforts are made to ensure that the technical content of IEC Publications is accurate, IEC cannot be held responsible for the way in which they are used or for any misinterpretation by any end user.
- 4) In order to promote international uniformity, IEC National Committees undertake to apply IEC Publications transparently to the maximum extent possible in their national and regional publications. Any divergence between any IEC Publication and the corresponding national or regional publication shall be clearly indicated in the latter.
- 5) IEC itself does not provide any attestation of conformity. Independent certification bodies provide conformity assessment services and, in some areas, issue IEC marks of conformity. IEC is not responsible for any services carried out by independent certification bodies.
- 6) All users should ensure that they have the latest edition of this publication.
- 7) No liability shall attach to IEC or its directors, employees, servants or agents including individual experts and members of its technical committees and IEC National Committees for any personal injury, property damage or other damage of any nature whatsoever, whether direct or indirect, or for costs (including legal fees) and expenses arising out of the publication, use of, or reliance upon, this IEC Publication or any other IEC Publications.
- 8) Attention is drawn to the normative references cited in this publication. Use of the referenced publications is indispensable for the correct application of this publication.
- 9) Attention is drawn to the possibility that some of the elements of this IEC Publication may be the subject of patent rights. IEC shall not be held responsible for identifying any or all such patent rights.

IEC 61076-8-104 has been prepared by subcommittee 48B: Electrical connectors, of IEC technical committee 48: Electrical connectors and mechanical structures for electrical and electronic equipment. It is an International Standard.

The text of this International Standard is based on the following documents:

Draft	Report on voting
48B/2953/CDV	48B/2991/RVC

Full information on the voting for its approval can be found in the report on voting indicated in the above table.

The language used for the development of this International Standard is English.

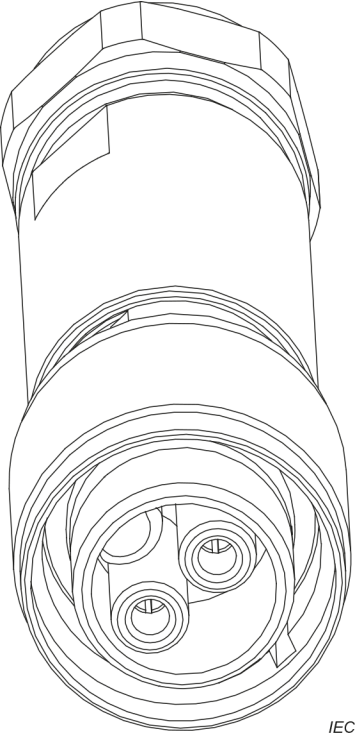
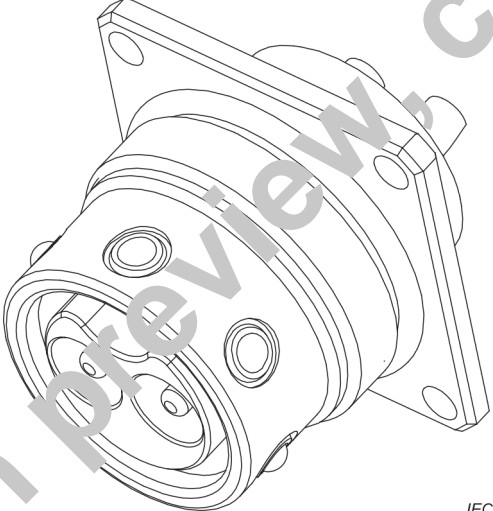
This document was drafted in accordance with ISO/IEC Directives, Part 2, and developed in accordance with ISO/IEC Directives, Part 1 and ISO/IEC Directives, IEC Supplement, available at www.iec.ch/members_experts/refdocs. The main document types developed by IEC are described in greater detail at www.iec.ch/publications.

A list of all parts of IEC 61076 series, under the general title *Connectors for electrical and electronic equipment – Product requirements*, can be found on the IEC website.

Future standards in this series will carry the new general title as cited above. Titles of existing standards in this series will be updated at the time of the next edition.

The committee has decided that the contents of this document will remain unchanged until the stability date indicated on the IEC website under webstore.iec.ch in the data related to the specific document. At this date, the document will be

- reconfirmed,
- withdrawn,
- replaced by a revised edition, or
- amended.

The International Electrotechnical Commission IEC SC 48B – Electrical connectors		IEC 61076-8-104
Detail specification in accordance with IEC 61076-8		
Free connector	 <p>IEC</p>	For rated current of 40 A; 2-pole; Female contacts; Push-pull locking; 360° shielding.
Fixed connector	 <p>IEC</p>	For rated current of 40 A; 2-pole; Male contacts; Push-pull locking; 360° shielding.

CONNECTORS FOR ELECTRICAL AND ELECTRONIC EQUIPMENT – PRODUCT REQUIREMENTS –

Part 8-104: Power connectors – Detail specification for 2-pole circular connectors with 40 A rated current and push-pull locking IP65/IP67 with metal housing

1 Scope

This part of IEC 61076-8 describes free and fixed 2-pole circular power connectors with 40 A rated current, rated voltage up to and including 50 V AC/DC, and push-pull locking IP65/IP67 metal housings (hereinafter referred to as connectors) for use in electrical and electronic equipment. It includes overall dimensions, interface dimensions, technical characteristics, performance requirements and test methods.

2 Normative references

The following documents are referred to in the text in such a way that some or all of their content constitutes requirements of this document. For dated references, only the edition cited applies. For undated references, the latest edition of the referenced document (including any amendments) applies.

IEC 60050-581, *International Electrotechnical Vocabulary (IEV) – Part 581: Electromechanical components for electronic equipment*

IEC 60068-1, *Environmental testing – Part 1: General and guidance*

IEC 60068-2-60, *Environmental testing – Part 2-60: Tests – Test Ke: Flowing mixed gas corrosion test*

IEC 60228, *Conductors of insulated cables*

IEC 60352-2, *Solderless connections – Part 2: Crimped connections – General requirements, test methods and practical guidance*

IEC 60352-3, *Solderless connections – Part 3: Accessible insulation displacement (ID) connections – General requirements, test methods and practical guidance*

IEC 60352-4, *Solderless connections – Part 4: Non-accessible insulation displacement (ID) connections – General requirements, test methods and practical guidance*

IEC 60352-5, *Solderless connections – Part 5: Press-in connections – General requirements, test methods and practical guidance*

IEC 60352-6, *Solderless connections – Part 6: Insulation piercing connections – General requirements, test methods and practical guidance*

IEC 60352-7, *Solderless connections – Part 7: Spring clamp connections – General requirements, test methods and practical guidance*

IEC 60512-1-1, *Connectors for electronic equipment – Tests and measurements – Part 1-1: General examination-Test 1a: Visual examination*