

INTERNATIONAL STANDARD



**Railway applications – Fixed installations – Electric traction overhead contact
lines systems**



THIS PUBLICATION IS COPYRIGHT PROTECTED
Copyright © 2024 IEC, Geneva, Switzerland

All rights reserved. Unless otherwise specified, no part of this publication may be reproduced or utilized in any form or by any means, electronic or mechanical, including photocopying and microfilm, without permission in writing from either IEC or IEC's member National Committee in the country of the requester. If you have any questions about IEC copyright or have an enquiry about obtaining additional rights to this publication, please contact the address below or your local IEC member National Committee for further information.

IEC Secretariat
3, rue de Varembe
CH-1211 Geneva 20
Switzerland

Tel.: +41 22 919 02 11
info@iec.ch
www.iec.ch

About the IEC

The International Electrotechnical Commission (IEC) is the leading global organization that prepares and publishes International Standards for all electrical, electronic and related technologies.

About IEC publications

The technical content of IEC publications is kept under constant review by the IEC. Please make sure that you have the latest edition, a corrigendum or an amendment might have been published.

IEC publications search - webstore.iec.ch/advsearchform

The advanced search enables to find IEC publications by a variety of criteria (reference number, text, technical committee, ...). It also gives information on projects, replaced and withdrawn publications.

IEC Just Published - webstore.iec.ch/justpublished

Stay up to date on all new IEC publications. Just Published details all new publications released. Available online and once a month by email.

IEC Customer Service Centre - webstore.iec.ch/csc

If you wish to give us your feedback on this publication or need further assistance, please contact the Customer Service Centre: sales@iec.ch.

IEC Products & Services Portal - products.iec.ch

Discover our powerful search engine and read freely all the publications previews, graphical symbols and the glossary. With a subscription you will always have access to up to date content tailored to your needs.

Electropedia - www.electropedia.org

The world's leading online dictionary on electrotechnology, containing more than 22 500 terminological entries in English and French, with equivalent terms in 25 additional languages. Also known as the International Electrotechnical Vocabulary (IEV) online.

INTERNATIONAL STANDARD



Railway applications – Fixed installations – Electric traction overhead contact lines systems

INTERNATIONAL
ELECTROTECHNICAL
COMMISSION

ICS 45.060.01

ISBN 978-2-8322-8244-1

Warning! Make sure that you obtained this publication from an authorized distributor.

CONTENTS

FOREWORD.....	9
1 Scope.....	11
2 Normative references	11
3 Terms, definitions, symbols and abbreviated terms.....	14
3.1 Terms and definition	14
3.1.1 Systems	14
3.1.2 Conductors	18
3.1.3 Return circuit.....	19
3.1.4 Electrical	20
3.1.5 Geometrical.....	21
3.1.6 Structures.....	23
3.1.7 Foundations.....	24
3.1.8 Current collectors	24
3.1.9 Current collection	25
3.1.10 Testing	25
3.1.11 Miscellaneous.....	26
3.2 Symbols.....	26
3.3 Abbreviated terms.....	29
4 Fundamental design data	29
4.1 General.....	29
4.2 Line characteristics.....	29
4.3 Electrical power system design	30
4.4 Vehicle characteristics	30
4.5 Current collectors	30
4.6 Environmental conditions	31
4.7 Design life.....	31
5 System requirements.....	31
5.1 Design of electrical system	31
5.1.1 General	31
5.1.2 Temperature rise in conductors	31
5.1.3 Clearances between live parts of contact lines and earth.....	33
5.1.4 Clearances between adjacent live AC contact lines of differing voltage phases.....	35
5.2 Design of overhead contact line for current collection systems.....	36
5.2.1 General	36
5.2.2 Elasticity and its variation	37
5.2.3 Vertical movement of contact point	37
5.2.4 Calculated wave propagation velocity	37
5.2.5 Quality of current collection	38
5.2.6 Fatigue of contact wire	40
5.3 Mechanical design of contact wire loads	40
5.3.1 Permissible tensile stress σ_w	40
5.3.2 Maximum temperature K_{temp}	40
5.3.3 Allowable wear K_{wear}	41
5.3.4 Wind loads K_{wind}	41
5.3.5 Ice loads K_{ice}	41

5.3.6	Efficiency of tensioning devices K_{eff}	41
5.3.7	Termination fittings K_{clamp}	42
5.3.8	Joints K_{joint}	42
5.4	Mechanical design of catenary wire loads	42
5.4.1	Permissible tensile loading F_{W}	42
5.4.2	Maximum temperature K_{temp}	42
5.4.3	Wind loads K_{wind}	43
5.4.4	Ice loads K_{ice}	43
5.4.5	Efficiency and accuracy of tensioning device K_{eff}	44
5.4.6	Termination fittings K_{clamp}	44
5.4.7	Additional vertical load K_{load}	44
5.5	Mechanical design of other stranded conductors	44
5.6	Mechanical design of solid wires	44
5.7	Mechanical design of ropes of non-conducting materials.....	44
5.7.1	General	44
5.7.2	Permissible tensile loading F_{W}	44
5.7.3	Wind loads K_{wind}	45
5.7.4	Ice loads K_{ice}	45
5.7.5	Termination clamps K_{clamp}	45
5.7.6	Vertical loads K_{load}	45
5.7.7	Minimum bending radius K_{radius}	45
5.8	Suspension systems	45
5.9	Tensioning device for flexible overhead contact lines	46
5.10	Geometry of overhead equipment	46
5.10.1	Lateral deviation of contact wire	46
5.10.2	Uplift.....	47
5.10.3	Variation in contact wire height.....	47
5.10.4	Contact wire height.....	48
5.10.5	Tolerances of lateral contact wire position	50
5.10.6	Span length.....	50
5.11	Contact line arrangement above turnouts and crossings	50
5.12	Overlap arrangements	51
5.13	Specific requirements for overhead contact lines for trolleybus systems	51
5.13.1	General	51
5.13.2	Line characteristics.....	51
5.13.3	Vehicle characteristics.....	53
5.13.4	Current collector system	53
5.13.5	Static contact forces	53
5.13.6	Trolleybus in the vicinity of tramways.....	53
5.14	Tolerances and limits	54
6	Structures and foundations	55
6.1	Basis of design	55
6.1.1	General	55
6.1.2	Basic requirements	55
6.1.3	Design with regard to structural limits	56
6.1.4	Classification of actions	56

6.1.5	Reliability levels.....	57
6.1.6	Models for structural analysis and resistance.....	57
6.1.7	Design values and verification methods.....	57
6.1.8	Wall anchors.....	59
6.2	Actions on overhead contact lines.....	59
6.2.1	General.....	59
6.2.2	Permanent loads.....	60
6.2.3	Variable loads.....	60
6.2.4	Wind loads.....	60
6.2.5	Ice loads.....	64
6.2.6	Combined wind and ice loads.....	64
6.2.7	Temperature effects.....	65
6.2.8	Construction and maintenance loads.....	65
6.2.9	Accidental loads.....	65
6.2.10	Special actions.....	65
6.3	Types of structures and related load cases.....	66
6.3.1	Load cases and load combinations.....	66
6.3.2	Type of structures and application of load cases.....	67
6.3.3	Partial factors for actions.....	70
6.4	Design of cross-span supports and structures.....	71
6.4.1	Analysis of internal forces and moments.....	71
6.4.2	Analysis of resistance.....	71
6.4.3	Material partial factors.....	72
6.4.4	Verification of resistance.....	72
6.4.5	Verification of serviceability.....	72
6.4.6	Material for structures.....	72
6.4.7	Corrosion protection and finishes.....	73
6.5	Foundations.....	73
6.5.1	General.....	73
6.5.2	Design of foundations.....	73
6.5.3	Calculation of actions.....	74
6.5.4	Geotechnical design.....	74
6.5.5	Partial factors for foundations.....	77
6.5.6	Verification of stability.....	77
6.5.7	Calculation of displacements.....	78
6.5.8	Materials for foundations.....	78
6.5.9	Structural details.....	79
6.5.10	Protection against corrosion and weathering.....	79
6.5.11	Electrical design.....	80
6.5.12	Installation of foundations.....	80
7	Assembly and Component requirements.....	81
7.1	General.....	81
7.1.1	Design life.....	81
7.1.2	Component identification.....	81
7.1.3	Corrosion and erosion.....	81
7.2	Supporting assemblies.....	81
7.3	Contact wire.....	82
7.4	Other conductors and ropes.....	82
7.5	Tensioning devices.....	82

7.6	Mechanical midpoints.....	83
7.6.1	General	83
7.6.2	Catenary wire fixed points	83
7.6.3	Contact wire fixed points.....	83
7.7	Droppers.....	83
7.7.1	Mechanical requirements	83
7.7.2	Electrical requirements	84
7.8	Clamps and line fittings.....	84
7.8.1	Mechanical requirements	84
7.8.2	Electrical requirements	84
7.9	Electrical connectors.....	85
7.10	Insulators.....	85
7.10.1	General requirements	85
7.10.2	Mechanical requirements	85
7.10.3	Insulator surface.....	86
7.11	Sectioning devices	86
7.11.1	Definition	86
7.11.2	Mechanical requirements	86
7.11.3	Electrical requirements	86
7.12	Disconnectors and drives	86
7.13	Protection devices	87
7.13.1	Covers and obstacles	87
7.13.2	Surge protection and voltage limiting devices	87
7.14	Specific components for trolleybus systems	87
7.14.1	General	87
7.14.2	Turnouts and crossings	88
7.15	Automatic earthing and short-circuiting equipment	88
7.16	Monitoring devices	88
8	Testing	89
8.1	Testing of components and assemblies – General	89
8.2	Support assemblies	89
8.2.1	Type test	89
8.2.2	Sampling test.....	98
8.2.3	Routine test.....	100
8.3	Contact wire	100
8.4	Other conductors	100
8.5	Tensioning devices	100
8.5.1	Tests required	100
8.5.2	Type tests for tensioning devices with balance weights.....	101
8.5.3	Type tests for tensioning device without balance weight	102
8.6	Mechanical midpoints.....	102
8.7	Droppers.....	102
8.7.1	Tests required	102
8.7.2	Mechanical fatigue test.....	102
8.7.3	Mechanical tests.....	105
8.8	Clamps, splices and other fittings.....	105
8.9	Electrical connectors.....	105
8.9.1	General	105
8.9.2	Mechanical fatigue tests	106

8.10	Insulators	106
8.11	Sectioning devices	107
8.11.1	Type test	107
8.11.2	Field test	108
8.11.3	Sampling tests	108
8.11.4	Routine tests	108
8.12	Disconnectors and drives	108
8.13	Surge protection and voltage limiting devices	108
8.14	Specific components for trolleybus systems	108
8.15	System test	109
8.15.1	Demonstration of conformity	109
8.15.2	Acceptance tests	109
8.15.3	Commissioning tests	110
9	Minimum documentation	110
9.1	General	110
9.2	System specification	110
9.3	Basic design	110
9.4	Installation design	110
9.5	Installation and maintenance	111
Annex A (informative)	Structural details	112
Annex B (informative)	Information on wind load calculation	113
B.1	Peak velocity pressure calculation	113
B.2	Drag factors C_{str}	114
Annex C (informative)	Recommendations for ultimate limit state (ULS) design	115
C.1	General	115
C.2	Material partial factors for structural calculations	115
C.3	Design limits for pre-stressed concrete poles	115
C.4	Partial factors for foundations	116
Annex D (informative)	Geotechnical soil investigation and soil characteristics	117
Annex E (informative)	Overhead contact line for electric vehicles with pantographs on electrified roads	119
E.1	General OCL properties and road characteristics	119
E.2	Electrical properties of the OCL	119
E.3	Capacity and service life of the OCL system	120
E.4	OCL properties	120
E.4.1	OCL mechanical properties, horizontal and vertical dimensions	120
E.4.2	Design of begin and end of OCLs	122
E.4.3	Uplift and dynamic properties of the OCL	123
E.5	Contact forces	123
E.6	ERS clearance requirements	124
E.6.1	General	124
E.6.2	Contact wire clamps	126
E.6.3	Miscellaneous structure gauges and clearance requirements	126
E.6.4	Structure gauge width – Lateral clearance requirements	127
E.6.5	Clearance under bridges or height-limiting structures	127
Annex F (informative)	Information on uniformity of elasticity of OCL within a span length	128
Annex G (informative)	Seismic actions for OCS poles on viaducts	129

Annex H (normative) Special national conditions.....	130
Bibliography.....	133
Figure 1 – Scope of contact line systems.....	11
Figure 2 – Static electrical clearance in air between live parts of an insulator and earthed equipment.....	35
Figure 3 – Relationship between contact wire heights and pantograph operating position.....	49
Figure 4 – Position of return wire in relation to right-of-way.....	52
Figure 5 – Wind action on lattice steel structures.....	63
Figure 6 – Definition of drag factors for double channel pole.....	64
Figure 7 – Description of dimensions and minimum conductor lengths.....	96
Figure 8 – Potential measuring points.....	97
Figure 9 – Potential measuring points at a T-type infeed terminal.....	98
Figure 10 – Example of a tensioning device measurement test.....	101
Figure 11 – Examples of a dropper test cycle.....	104
Figure 12 – Example of a dropper tension test assembly.....	105
Figure 13 – Example of a test cycle for an electrical connection.....	106
Figure E.1 – Overlap span (plan view, exemplary design for anchoring, representation without electrical connections).....	122
Figure E.2 – Defined points along the OCL (side view, idealized).....	122
Figure E.3 – Clearance gauge overview.....	124
Figure E.4 – Clearance gauge detail.....	125
Figure G.1 – Simulation method for evaluation for the safety of poles against earthquakes.....	129
Table 1 – Temperature limits for material mechanical properties.....	32
Table 2 – Typical electrical clearances.....	34
Table 3 – Typical clearances between adjacent live AC contact line systems of differing voltage phase.....	36
Table 4 – Contact force limits.....	39
Table 5 – Factor K_{ten} for contact wires.....	40
Table 6 – Factor K_{wind} for contact wires.....	41
Table 7 – Factor K_{ice} for contact wires.....	41
Table 8 – Factor K_{temp} for stranded conductors.....	43
Table 9 – Factor K_{wind} for stranded conductors.....	43
Table 10 – Factor K_{ice} for stranded conductors.....	43
Table 11 – Factor K_{radius} for ropes of non-conducting materials.....	45
Table 12 – Recommended maximum contact wire gradients for flexible contact lines.....	47
Table 13 – Important parameters to assist in the definition of tolerances and limits.....	54
Table 14 – Parameters for wind load calculation.....	61
Table 15 – Load cases to be considered for each type of structures.....	69
Table 16 – Partial factors for actions to be considered.....	71

Table 17 – Tightening torques M_t for regularly used bolts	90
Table 18 – Examples of bolt connections	91
Table 19 – Assignment of the strength of bolt and nut.....	91
Table 20 – Conversion factor for tightening torques	92
Table 21 – Minimum conductor lengths	96
Table A.1 – Recommended dimensions of connections and edge distances of jointing components	112
Table B.1 – Recommended values for gust response factor G_q	113
Table B.2 – Recommended values for terrain factor G_t	113
Table B.3 – Recommended values for factor C_{str} for different pole types.....	114
Table C.1 – Recommended values for partial factors γ_M for steel structures	115
Table C.2 – Recommended values for partial factors γ_M for concrete structures	115
Table C.3 – Recommended values for partial factors γ_M for foundations	116
Table D.1 – Geotechnical characteristic parameters of some standard soils according to EN 50341-1:2012, Table M.2	118
Table E.1 – Standard contact wire specifications	120
Table E.2 – Contact wire vertical position parameters, all values measured perpendicular to the idealized top of the road surface	121
Table E.3 – Contact wire horizontal position parameters	121
Table E.4 – Defined points along the OCL (side view).....	123
Table E.5 – Contact forces pantograph – OCL	123
Table E.6 – Clearance gauge overview description	125
Table E.7 – Pantograph clearance definitions	126
Table F.1 – Uniformity u of elasticity	128
Table H.1 – Typical tolerances of overhead contact line system.....	130

INTERNATIONAL ELECTROTECHNICAL COMMISSION

**RAILWAY APPLICATIONS – FIXED INSTALLATIONS –
ELECTRIC TRACTION OVERHEAD CONTACT LINE SYSTEMS****FOREWORD**

- 1) The International Electrotechnical Commission (IEC) is a worldwide organization for standardization comprising all national electrotechnical committees (IEC National Committees). The object of IEC is to promote international co-operation on all questions concerning standardization in the electrical and electronic fields. To this end and in addition to other activities, IEC publishes International Standards, Technical Specifications, Technical Reports, Publicly Available Specifications (PAS) and Guides (hereafter referred to as “IEC Publication(s)”). Their preparation is entrusted to technical committees; any IEC National Committee interested in the subject dealt with may participate in this preparatory work. International, governmental and non-governmental organizations liaising with the IEC also participate in this preparation. IEC collaborates closely with the International Organization for Standardization (ISO) in accordance with conditions determined by agreement between the two organizations.
- 2) The formal decisions or agreements of IEC on technical matters express, as nearly as possible, an international consensus of opinion on the relevant subjects since each technical committee has representation from all interested IEC National Committees.
- 3) IEC Publications have the form of recommendations for international use and are accepted by IEC National Committees in that sense. While all reasonable efforts are made to ensure that the technical content of IEC Publications is accurate, IEC cannot be held responsible for the way in which they are used or for any misinterpretation by any end user.
- 4) In order to promote international uniformity, IEC National Committees undertake to apply IEC Publications transparently to the maximum extent possible in their national and regional publications. Any divergence between any IEC Publication and the corresponding national or regional publication shall be clearly indicated in the latter.
- 5) IEC itself does not provide any attestation of conformity. Independent certification bodies provide conformity assessment services and, in some areas, access to IEC marks of conformity. IEC is not responsible for any services carried out by independent certification bodies.
- 6) All users should ensure that they have the latest edition of this publication.
- 7) No liability shall attach to IEC or its directors, employees, servants or agents including individual experts and members of its technical committees and IEC National Committees for any personal injury, property damage or other damage of any nature whatsoever, whether direct or indirect, or for costs (including legal fees) and expenses arising out of the publication, use of, or reliance upon, this IEC Publication or any other IEC Publications.
- 8) Attention is drawn to the Normative references cited in this publication. Use of the referenced publications is indispensable for the correct application of this publication.
- 9) IEC draws attention to the possibility that the implementation of this document may involve the use of (a) patent(s). IEC takes no position concerning the evidence, validity or applicability of any claimed patent rights in respect thereof. As of the date of publication of this document, IEC had not received notice of (a) patent(s), which may be required to implement this document. However, implementers are cautioned that this may not represent the latest information, which may be obtained from the patent database available at <https://patents.iec.ch>. IEC shall not be held responsible for identifying any or all such patent rights.

IEC 60913 has been prepared by IEC technical committee 9: Electrical equipment and systems for railways. It is an International Standard.

This third edition cancels and replaces the second edition published in 2013. This edition constitutes a technical revision.

The European standard EN 50119 has served as a basis for the elaboration of this document.

This edition includes the following significant technical changes with respect to the previous edition:

- a) title modified;
- b) requirements for urban rail systems are included;
- c) requirements for rigid overhead contact line (ROCL) are included;
- d) additional definitions for new terms are included (Clause 3);

- e) clearances and geometry of overhead contact line are improved (Clause 5);
- f) urban aspects are added, for example wall anchors (Clause 6);
- g) requirements for monitoring devices, automatic earthing and short-circuiting equipment are included (Clause 7);
- h) requirements for overhead contact line for electric vehicles with pantograph on electrified roads are added (Annex E)
- i) improvements on the basis of EN 50119:2020 and the questionnaire 9/2619A/Q

The text of this International Standard is based on the following documents:

Draft	Report on voting
9/3031/FDIS	9/3052/RVD

Full information on the voting for its approval can be found in the report on voting indicated in the above table.

The language used for the development of this International Standard is English.

This document was drafted in accordance with ISO/IEC Directives, Part 2, and developed in accordance with ISO/IEC Directives, Part 1 and ISO/IEC Directives, IEC Supplement, available at www.iec.ch/members_experts/refdocs. The main document types developed by IEC are described in greater detail at www.iec.ch/publications.

The reader's attention is drawn to the fact that Annex H lists all of the "in-some-country" clauses on differing practices of a less permanent nature relating to the subject of this document.

The committee has decided that the contents of this document will remain unchanged until the stability date indicated on the IEC website under webstore.iec.ch in the data related to the specific document. At this date, the document will be

- reconfirmed,
- withdrawn, or
- revised.

IMPORTANT – The "colour inside" logo on the cover page of this document indicates that it contains colours which are considered to be useful for the correct understanding of its contents. Users should therefore print this document using a colour printer.

RAILWAY APPLICATIONS – FIXED INSTALLATIONS – ELECTRIC TRACTION OVERHEAD CONTACT LINE SYSTEMS

1 Scope

This document specifies the requirements and tests for the design of overhead contact line systems, requirements for structures and their structural calculations and verifications as well as the requirements and tests for the design of assemblies and individual parts.

This document is applicable to electric traction overhead contact line systems in heavy railways, light railways, for trolley bus lines, electric road systems (Annex E) and industrial railways of public and private operators. This document is applicable to new installations of overhead contact line systems and for the complete renewal of existing overhead contact line systems.

This document does not apply to ground level conductor rail systems (see Figure 1).

NOTE Ground level conductor rail means conductor rails located adjacent to the running rail, e.g. the third rail or a conductor rail in the ground.

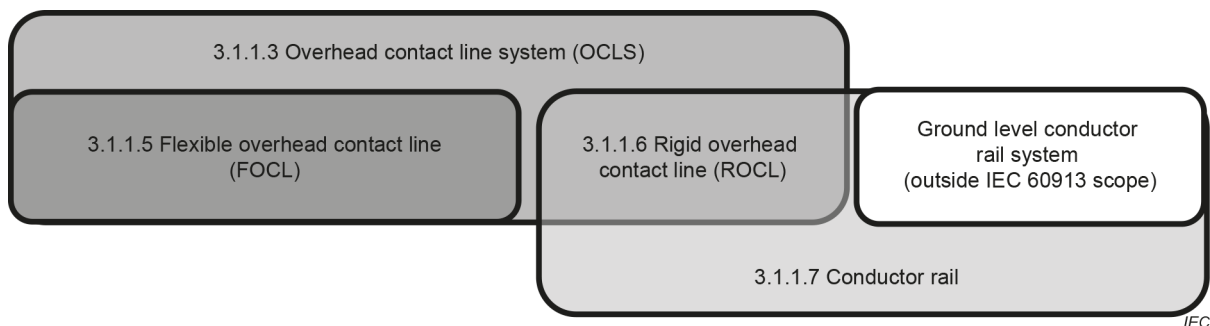


Figure 1 – Scope of contact line systems

2 Normative references

The following documents are referred to in the text in such a way that some or all of their content constitutes requirements of this document. For dated references, only the edition cited applies. For undated references, the latest edition of the referenced document (including any amendments) applies.

IEC 60099-4, *Surge arresters – Part 4: Metal-oxide surge arresters without gaps for a.c. systems*

IEC 60168, *Tests on indoor and outdoor post insulators of ceramic material or glass for systems with nominal voltages greater than 1 000 V*

IEC 60273, *Characteristics of indoor and outdoor post insulators for systems with nominal voltages greater than 1 000 V*

IEC 60305, *Insulators for overhead lines with a nominal voltage above 1 000 V – Ceramic or glass insulator units for AC systems – Characteristics of insulator units of the cap and pin type*

IEC 60383 (all parts), *Insulators for overhead lines with nominal voltage above 1 000 V*