

# INTERNATIONAL STANDARD

**IEC  
60488-1**

First edition  
2004-07

**IEEE 488 1**

---

---

## Higher performance protocol for the standard digital interface for programmable instrumentation –

### Part 1: General

Copyright © IEEE 2004 — All rights reserved

IEEE is a registered trademark in the U.S. Patent & Trademark Office, owned by the Institute of Electrical and Electronics Engineers, Inc.

No part of this publication may be reproduced or utilized in any form or by any means, electronic or mechanical, including photocopying and microfilm, without permission in writing from the publisher.

International Electrotechnical Commission, 3, rue de Varembé, PO Box 131, CH-1211 Geneva 20, Switzerland  
Telephone: +41 22 919 02 11 Telefax: +41 22 919 03 00 E-mail: [inmail@iec.ch](mailto:inmail@iec.ch) Web: [www.iec.ch](http://www.iec.ch)

The Institute of Electrical and Electronics Engineers, Inc, 3 Park Avenue, New York, NY 10016-5997, USA  
Telephone: +1 732 562 3800 Telefax: +1 732 562 1571 E-mail: [stds-info@ieee.org](mailto:stds-info@ieee.org) Web: [www.standards.ieee.org](http://www.standards.ieee.org)



Commission Electrotechnique Internationale  
International Electrotechnical Commission  
Международная Электротехническая Комиссия



## CONTENTS

Foreword.....	4
IEEE Introduction.....	8
1. Overview.....	10
1.1 Scope.....	10
1.2 Object.....	11
1.3 Interface system overview .....	11
2. References.....	15
3. Definitions .....	15
3.1 General system terms .....	15
3.2 Units connected via the interface system .....	16
3.3 Signals and paths .....	16
4. Functional specifications.....	17
4.1 Functional partition.....	17
4.2 Notation used to specify interface functions.....	21
4.3 Source handshake (SH) interface function .....	24
4.4 Acceptor handshake (AH) and extended acceptor handshake (AHE) interface functions .....	32
4.5 Talker (T) interface function (Includes serial poll capabilities) .....	41
4.6 Listener (L) interface function.....	49
4.7 Service request (SR) interface function .....	55
4.8 Remote local (RL) interface function .....	57
4.9 Parallel poll (PP) interface function.....	60
4.10 Device clear (DC) interface function.....	64
4.11 Device trigger (DT) interface function .....	66
4.12 Controller (C) interface function .....	68
4.13 Remote message coding and transfer.....	80
4.14 Configuration (CF) interface function .....	86
5. Electrical specifications.....	91
5.1 Application .....	91
5.2 Logical and electrical state relationships .....	91
5.3 Driver requirements .....	91
5.4 Receiver requirements.....	92
5.5 Composite device load requirements .....	92
5.6 Ground requirements.....	94
5.7 Cable characteristics.....	95
5.8 State transition timing values .....	95
6. Mechanical specifications.....	98
6.1 Application.....	98
6.2 Connector type .....	98
6.3 Connector contact assignments.....	99
6.4 Device connector mounting .....	100
6.5 Cable assembly .....	101

7.	System applications and guidelines for the designer .....	103
7.1	System compatibility.....	103
7.2	Data rate consideration.....	103
7.3	Device capabilities .....	104
7.4	AND and OR logic operations .....	104
7.5	Address assignment.....	104
7.6	Typical combinations of interface functions.....	107
7.7	Unimplemented interface message handling .....	109
8.	System requirements and guidelines for the user .....	110
8.1	System compatibility .....	110
8.2	System installation requirements .....	110
8.3	Address assignment .....	111
8.4	Cabling restrictions .....	112
8.5	Operational sequence guidelines .....	112
Annex A (informative)	Typical instrument system .....	116
Annex B (informative)	Handshake process timing sequence.....	118
Annex C (informative)	Interface function-allowable subsets.....	124
Annex D (informative)	Interface message reference list .....	134
Annex E (informative)	Multiline interface messages: ISO code representation.....	138
Annex F (informative)	Logic circuit implementation .....	139
Annex G (informative)	Parallel polling sequence .....	141
Annex H (informative)	Description of interface parameters on data sheets.....	142
Annex I (informative)	Holdoff considerations for noninterlocked transfers .....	146
Annex J (informative)	Address switch labeling and interface status indicators .....	147
Annex K (informative)	Recommended methods for reducing the effects of radiated and conducted interference for devices specified in this standard.....	150
Annex L (informative)	List of Participants .....	153

INTERNATIONAL ELECTROTECHNICAL COMMISSION

**HIGHER PERFORMANCE PROTOCOLE FOR THE STANDARD DIGITAL  
INTERFACE FOR PROGRAMMABLE INSTRUMENTATION –**

**Part 1: General**

**FOREWORD**

- 1) The International Electrotechnical Commission (IEC) is a worldwide organization for standardization comprising all national electrotechnical committees (IEC National Committees). The object of IEC is to promote international co-operation on all questions concerning standardization in the electrical and electronic fields. To this end and in addition to other activities, IEC publishes International Standards, Technical Specifications, Technical Reports, Publicly Available Specifications (PAS) and Guides (hereafter referred to as "IEC Publication(s)"). Their preparation is entrusted to technical committees; any IEC National Committee interested in the subject dealt with may participate in this preparatory work. International, governmental and non-governmental organizations liaising with the IEC also participate in this preparation. IEC collaborates closely with the International Organization for Standardization (ISO) in accordance with conditions determined by agreement between the two organizations.
- 2) The formal decisions or agreements of IEC on technical matters express, as nearly as possible, an international consensus of opinion on the relevant subjects since each technical committee has representation from all interested IEC National Committees.
- 3) IEC Publications have the form of recommendations for international use and are accepted by IEC National Committees in that sense. While all reasonable efforts are made to ensure that the technical content of IEC Publications is accurate, IEC cannot be held responsible for the way in which they are used or for any misinterpretation by any end user.
- 4) In order to promote international uniformity, IEC National Committees undertake to apply IEC Publications transparently to the maximum extent possible in their national and regional publications. Any divergence between any IEC Publication and the corresponding national or regional publication shall be clearly indicated in the latter.
- 5) IEC provides no marking procedure to indicate its approval and cannot be rendered responsible for any equipment declared to be in conformity with an IEC Publication.
- 6) Attention is drawn to the possibility that some of the elements of this IEC Publication may be the subject of patent rights. IEC shall not be held responsible for identifying any or all such patent rights.

International Standard IEC/IEEE 60488-1 has been processed through subcommittee 65C: Digital communications, of IEC technical committee 65: Industrial-process measurement and control.

This standard cancels and replaces the second edition of IEC 60625-1 (1993).

At times in this standard, specific reference is made to IEEE Std 488.1-1987, which constituted an earlier version of IEEE Std 488.1-2003, the IEEE edition upon which this standard is based. Where specific dated references were made to the 1987 edition, these references have been maintained.

Furthermore, it is to be noted that full compatibility of this standard with IEC/IEEE 60488-2:2004 requires implementation of all revisions indicated previously in the IEEE Introduction. Therefore, readers of this standard are encouraged to read also the companion standard IEEE Std 488.2-1987, which constitutes an earlier edition of IEC 60488-2:2004.

The text of this standard is based on the following documents:

IEEE Std	FDIS	Report on voting
488.1 (2003)	65C/319A/FDIS	65C/343/RVD

Full information on the voting for the approval of this standard can be found in the report on voting indicated in the above table.

This publication has been drafted in accordance with the ISO/IEC Directives.

The committee has decided that the contents of this publication will remain unchanged until 2009.

IEC/IEEE 60488 consists of the following publications:

- Higher performance protocol for the standard digital interface for programmable instrumentation – Part 1: General (60488-1).
- Standard digital interface for programmable instrumentation – Part 2: Codes, formats, protocols and common commands (60488-2).

## IEC/IEEE Dual Logo International Standards

This Dual Logo International Standard is the result of an agreement between the IEC and the Institute of Electrical and Electronics Engineers, Inc. (IEEE). The original IEEE Standard was submitted to the IEC for consideration under the agreement, and the resulting IEC/IEEE Dual Logo International Standard has been published in accordance with the ISO/IEC Directives.

IEEE Standards documents are developed within the IEEE Societies and the Standards Coordinating Committees of the IEEE Standards Association (IEEE-SA) Standards Board. The IEEE develops its standards through a consensus development process, approved by the American National Standards Institute, which brings together volunteers representing varied viewpoints and interests to achieve the final product. Volunteers are not necessarily members of the Institute and serve without compensation. While the IEEE administers the process and establishes rules to promote fairness in the consensus development process, the IEEE does not independently evaluate, test, or verify the accuracy of any of the information contained in its standards.

Use of an IEC/IEEE Dual Logo International Standard is wholly voluntary. The IEC and IEEE disclaim liability for any personal injury, property or other damage, of any nature whatsoever, whether special, indirect, consequential, or compensatory, directly or indirectly resulting from the publication, use of, or reliance upon this, or any other IEC or IEEE Standard document.

The IEC and IEEE do not warrant or represent the accuracy or content of the material contained herein, and expressly disclaim any express or implied warranty, including any implied warranty of merchantability or fitness for a specific purpose, or that the use of the material contained herein is free from patent infringement. IEC/IEEE Dual Logo International Standards documents are supplied "AS IS".

The existence of an IEC/IEEE Dual Logo International Standard does not imply that there are no other ways to produce, test, measure, purchase, market, or provide other goods and services related to the scope of the IEC/IEEE Dual Logo International Standard. Furthermore, the viewpoint expressed at the time a standard is approved and issued is subject to change brought about through developments in the state of the art and comments received from users of the standard.

Every IEEE Standard is subjected to review at least every five years for revision or reaffirmation. When a document is more than five years old and has not been reaffirmed, it is reasonable to conclude that its contents, although still of some value, do not wholly reflect the present state of the art. Users are cautioned to check to determine that they have the latest edition of any IEEE Standard.

In publishing and making this document available, the IEC and IEEE are not suggesting or rendering professional or other services for, or on behalf of, any person or entity. Neither the IEC nor IEEE is undertaking to perform any duty owed by any other person or entity to another. Any person utilizing this, and any other IEC/IEEE Dual Logo International Standards or IEEE Standards document, should rely upon the advice of a competent professional in determining the exercise of reasonable care in any given circumstances.

Interpretations – Occasionally questions may arise regarding the meaning of portions of standards as they relate to specific applications. When the need for interpretations is brought to the attention of IEEE, the Institute will initiate action to prepare appropriate responses. Since IEEE Standards represent a consensus of concerned interests, it is important to ensure that any interpretation has also received the concurrence of a balance of interests. For this reason, IEEE and the members of its societies and Standards Coordinating Committees are not able to provide an instant response to interpretation requests except in those cases where the matter has previously received formal consideration.

Comments for revision of IEC/IEEE Dual Logo International Standards are welcome from any interested party, regardless of membership affiliation with the IEC or IEEE. Suggestions for changes in documents should be in the form of a proposed change of text, together with appropriate supporting comments. Comments on standards and requests for interpretations should be addressed to:

Secretary, IEEE-SA Standards Board, 445 Hoes Lane, P.O. Box 1331, Piscataway, NJ 08855-1331, USA and/or General Secretary, IEC, 3, rue de Varembe, PO Box 131, 1211 Geneva 20, Switzerland.

Authorization to photocopy portions of any individual standard for internal or personal use is granted by the Institute of Electrical and Electronics Engineers, Inc., provided that the appropriate fee is paid to Copyright Clearance Center. To arrange for payment of licensing fee, please contact Copyright Clearance Center, Customer Service, 222 Rosewood Drive, Danvers, MA 01923 USA; +1 978 750 8400. Permission to photocopy portions of any individual standard for educational classroom use can also be obtained through the Copyright Clearance Center.

NOTE – Attention is called to the possibility that implementation of this standard may require use of subject matter covered by patent rights. By publication of this standard, no position is taken with respect to the existence or validity of any patent rights in connection therewith. The IEEE shall not be responsible for identifying patents for which a license may be required by an IEEE standard or for conducting inquiries into the legal validity or scope of those patents that are brought to its attention.

## **IEEE Standard for Higher Performance Protocol for the Standard Digital Interface for Programmable Instrumentation**

Sponsor

**Technical Committee on Automated Test Systems and Instrumentation (TC-8)**  
of the  
**IEEE Instrumentation and Measurement Society**

Approved 10 October 2003  
**American National Standard Institute**

Approved 12 June 2003  
**IEEE-SA Standards Board**

**Abstract:** This standard applies to interface systems used to interconnect both programmable and nonprogrammable electronic measuring apparatus with other apparatus and accessories necessary to assemble instrumentation systems. It applies to the interface of instrumentation systems, or portions of them, in which the

- a) Data exchanged among the interconnected apparatus is digital (as distinct from analog)
- b) Number of devices that may be interconnected by one contiguous bus does not exceed 15
- c) Total transmission path lengths over the interconnecting cables does not exceed 20 m
- d) Data rate among devices does not exceed 8 000 000 B/s

The basic functional specifications of this standard may be used in digital interface applications that require longer distances, more devices, increased noise immunity, or combinations of these. Different electrical and mechanical specifications may be required (for example, symmetrical circuit configurations, high threshold logic, special connectors, or cable configurations) for these extended applications.

**Keywords:** GPIB, HPIB, HS488, non-interlocked handshake, three-wire handshake

## IEEE Introduction

IEEE Std 488™ has enjoyed continuous and widespread use since its initial publication in 1975. The first revision occurred in 1978 as a result of practical experience and recognition that certain clauses needed clarification to improve compatibility among independently designed products. No major changes were made in 1978; many changes were pure editorial; however, 20 clauses had textual changes with technical implications, although none contradicted the concepts as defined in the original publication. Supplement A was introduced in 1980 to correct one minor deficiency in the controller function related to “take control synchronously.”

In 1987, a systematic review was undertaken as a result of both the normal 5-year review cycle and related work on IEEE 488 device-dependent message syntax structures. In addition, there was a strong desire on the part of both IEEE participants and our IEC colleagues to bring equivalent standards (IEC 625-1) into closer alignment. IEEE Std 488.1-1987 represents the culmination of this review cycle. Again, no major technical changes were made, and care was exercised to preserve compatibility with earlier versions of IEEE Std 488.

The IEEE Std 488.1-2003 specification adds new interface functions to allow designers the option of implementing noninterlocked handshake transfers.

In preparing this specification, several stylistic changes to IEEE Std 488.1-1987 were necessary to bring the document up to IEEE standards. The following changes were made:

- Clause 1, which previously consisted of an overview, definitions, and references, was divided into three separate sections. Clause 1 now contains the overview, Clause 2 contains references, and Clause 3 contains definitions.
- The first level of ordered lists was previously numbered (1, 2, 3...). To comply with the IEEE standards, the first level of ordered lists is now lettered (a, b, c...), and the second level of ordered lists is numbered (1, 2, 3...).
- In the earlier version of this specification, tables had no grids. Grids have been added to the tables in this version.

The IEEE 488.1-2003, IEEE Standard for Digital Interface for Programmable Instrumentation, deals with systems that use a byte-serial, bit-parallel means to transfer digital data among a group of instruments and system components. The interface system described herein is optimized as an interdevice interface for system components in relatively close proximity able to communicate over a contiguous party-line bus system.

This document contains seven sections as follows:

- Clause 1 contains the scope, the object, and summary description of the interface.
- Clause 2 contains helpful references.
- Clause 3 contains basic definitions.
- Clause 4 deals with functional concepts and specifications of the interface system described in this standard. One or more interface functions contained within a device are each able to process messages and change states to maintain an orderly flow of information among a set of interconnected devices.
- Clause 5 deals with the electrical realization of the interface in order to transfer messages among a set of interconnected devices.
- Clause 6 deals with the mechanical realization of the interface in order to implement the electrical aspects of the interface system.
- Clause 7 deals with system considerations that must be given to the design of an individual device in order to make it compatible with other devices of a measurement system.

- Clause 8 deals with system considerations that must be recognized by the user of devices designed in accordance with this standard.
- Annexes deal with explanatory matter and examples.

In order to interconnect and program equipment designed in accordance with this standard, the user should have knowledge of Clause 1 and Clause 8. If the coding and transfer of messages is not done automatically by the apparatus to be programmed, it will be necessary that the user have knowledge of Clause 4. General familiarity with the other sections is recommended. The user must also be familiar with device-dependent characteristics of apparatus that may be used in a system, but that are beyond the scope of this standard.

This standard defines an interface with the objective to assure that messages may be accurately communicated between two or more devices in a system, but it does not guarantee that each device will interpret properly all possible messages sent to it or will properly generate all necessary messages. A wide latitude of interface capability is permitted within the scope of this standard, which may permit operational incompatibility among interconnected devices.

Device designers must have sufficient awareness of the characteristics of systems, which might include their devices, in order to select correctly among the options provided in this standard. Likewise, system configurators must have sufficient awareness of the options included in each of the devices in their systems in order to ensure that the correct communication techniques are used.

This standard does not specify the device-dependent or operational characteristics required for complete system compatibility. Therefore, following the rules and procedures of this standard alone will not guarantee unconditional compatibility.

The 1987 version of this standard was based on work initiated by the International Electrotechnical Commission (IEC) within Technical Committee 65, Subcommittee 65C, Working Group 3 (formerly TC66/WG3), and it follows the general concepts of a standard prepared by the IEC. In 1992, the IEEE technical working group enhanced the 1987 standard to improve performance over IEEE Std 488.1-1987.

The “helpful note” on metric threads found in previous editions has been deleted because metric thread use is common IEEE Std 488 practice. Consequently, the recommendation to coat such parts in black material to call attention to metric threads is also considered unnecessary. Electrical conductivity on the surface of these parts is, however, still considered essential.

## Patents

Attention is called to the possibility that implementation of this standard may require use of subject matter covered by patent rights. By publication of this standard, no position is taken with respect to the existence or validity of any patent rights in connection therewith. The IEEE shall not be responsible for identifying patents for which a license may be required by an IEEE standard or for conducting inquiries into the legal validity or scope of those patents that are brought to its attention. A patent holder has filed a statement of assurance that it will grant licenses under these rights without compensation or under reasonable rates and nondiscriminatory, reasonable terms and conditions to all applicants desiring to obtain such licenses. The IEEE makes no representation as to the reasonableness of rates and/or terms and conditions of the license agreements offered by patent holders. Further information may be obtained from the IEEE Standards Department.

## Interpretations and errata

Interpretations and errata associated with this standard may be found at one of the following Internet locations:

- <http://standards.ieee.org/reading/ieee/interp/>
- <http://standards.ieee.org/reading/ieee/updates/errata/>

# HIGHER PERFORMANCE PROTOCOL FOR THE STANDARD DIGITAL INTERFACE FOR PROGRAMMABLE INSTRUMENTATION –

## Part 1: General

### 1. Overview

#### 1.1 Scope

This standard applies to interface systems used to interconnect both programmable and nonprogrammable electronic measuring apparatus with other apparatus and accessories necessary to assemble instrumentation systems. It applies to the interface of instrumentation systems, or portions of them, in which the

- a) Data exchanged among the interconnected apparatus is digital (as distinct from analog)
- b) Number of devices that may be interconnected by one contiguous bus does not exceed 15
- c) Total transmission path lengths over the interconnecting cables does not exceed 20 m
- d) Data rate among devices does not exceed 8 000 000 B/s

The basic functional specifications of this standard may be used in digital interface applications that require longer distances, more devices, increased noise immunity, or combinations of these. Different electrical and mechanical specifications may be required (for example, symmetrical circuit configurations, high threshold logic, special connectors, or cable configurations) for these extended applications.

This standard may also be applicable to other instrumentation system elements, such as processors, stimulus, display, or storage devices, and terminal units found useful in instrumentation systems. It applies generally to laboratory and production test environments that are both electrically quiet and restricted as to physical dimensions (distances between the system components).

This standard deals only with the interface characteristics of instrumentation systems to the exclusion of design specifications' consideration of radio-interface regulations, performance requirements, and safety requirements of apparatus.

NOTE—For the latter two items, reference is made to IEC 61010-1: 2001, and IEC 60359:2001.<sup>1</sup>

---

<sup>1</sup>For information on references, see Clause 2.

Throughout this standard, and insofar as further distinction is not necessary, the term “system” denotes the bit-parallel byte-serial interface system that, in general, includes all circuits, cables, connections, message repertoire, and control protocol to effect unambiguous data transfer between devices; and the term “device” or “apparatus” denotes any programmable measurement device or other product connected to the interface system that communicates information via, and conforms to, the interface system definition.

A primary focus of this standard is to set forth an interface system to interconnect self-contained apparatus to other apparatus by external means. This same standard may be applied to interconnecting the internal sub-sections within a self-contained equipment.

## 1.2 Object

This standard is intended

- a) To define a general-purpose system for use in limited-distance applications
- b) To specify the device-independent mechanical, electrical, and functional interface requirements that the apparatus shall meet in order to be interconnected and to communicate unambiguously via the system
- c) To specify the terminology and definitions related to the system
- d) To enable the interconnection of independently manufactured apparatus into a single functional system
- e) To permit devices with a wide range of capability—from the simple to the complex—to be interconnected to the system simultaneously
- f) To permit direct communication among the devices without requiring all messages to be routed to a control or intermediate unit
- g) To define a system with a minimum of restrictions on the performance characteristics of the devices connected to the system
- h) To define a system that permits asynchronous communication over a wide range of data rates
- i) To define a system that, of itself, may be relatively low cost and permits the interconnection of low-cost devices
- j) To define a system that is easy to use

## 1.3 Interface system overview

### 1.3.1 Interface system objective

The overall purpose of an interface system is to provide an effective communication link over which messages are carried in an unambiguous way among a group of interconnected devices.

Messages (quantities of information) carried by an interface system belong to either of two broad categories:

- a) Messages used to manage the interface system itself, hereinafter called interface messages
- b) Messages used by the devices interconnected via the interface system that are carried by, but not used or processed by, the interface system directly, hereinafter called device-dependent messages

NOTE—The detailed specification of device-dependent messages is beyond the scope of this standard.

### 1.3.2 Fundamental communication capabilities

An effective communication link requires three basic functional elements to organize and manage the flow of information to be exchanged among devices:

- a) A device acting as a listener
- b) A device acting as a talker
- c) A device acting as a controller

In the context of the interface system described by this standard

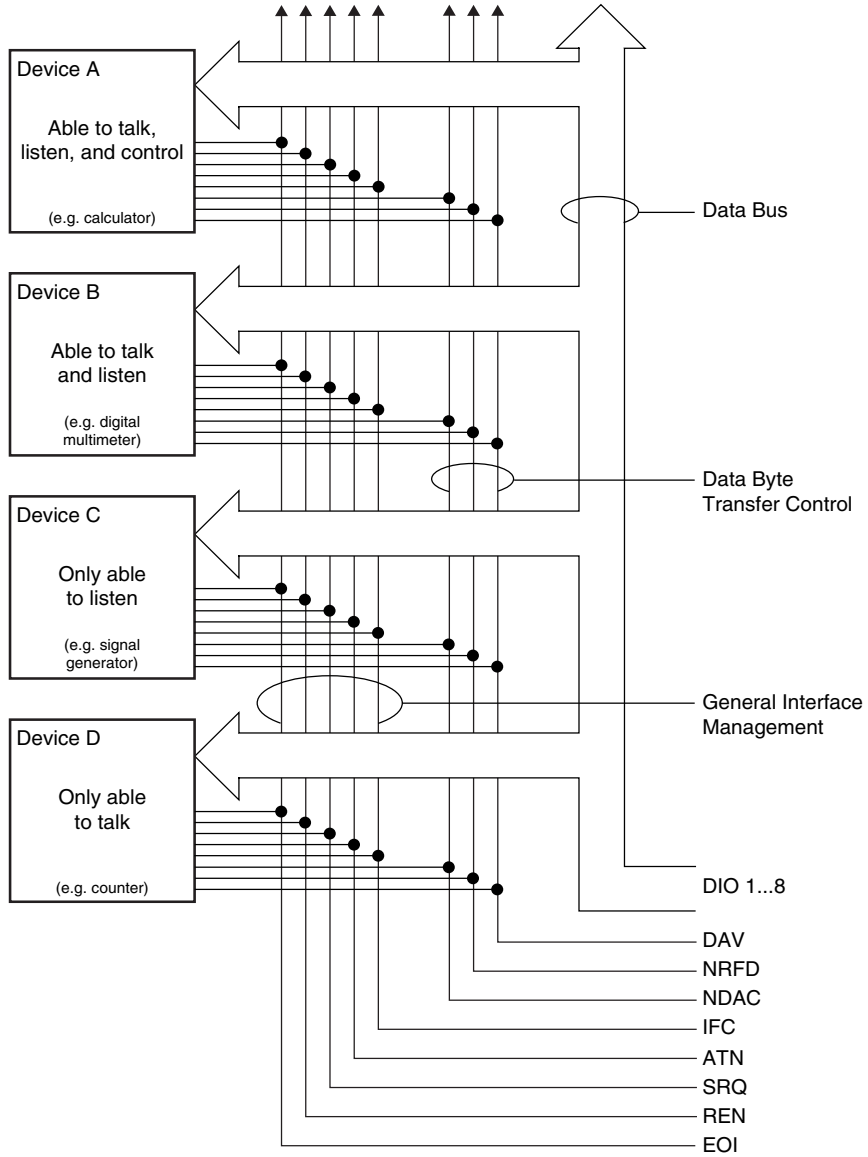
- a) A device with the capability to listen can be addressed by an interface message to receive device-dependent messages from another device connected to the interface system.
- b) A device with the capability to talk can be addressed by an interface message to send device-dependent messages to another device connected to the interface system.
- c) A device with the capability to control can address other devices to listen or to talk. In addition, this device can send interface messages to command specified actions within other devices. A device with only this capability neither sends nor receives device-dependent messages.

NOTE—The use of the word *controller* throughout this standard applies strictly to the management (control) of the interface system and does not imply the broad capabilities typically associated with the word in the data processing context. Further classification of the controller will be made in Clause 4 to distinguish between different types of controller capabilities related to the interface system.

Listener, talker, and controller capabilities occur individually or in any combination in devices interconnected via the interface system, as shown in Figure 1.

In addition to the basic listener, talker, and controller functions, the system provides interface messages to accomplish the following operations:

- a) A serial poll sequence may be initiated when a device (with talker function) requires some action by the controller, by transmitting the service request message. The controller will then obtain the status byte of all possible devices in sequence to ascertain which required service.
- b) The Parallel Poll function provides a device with the ability to transmit on the controller's demand one bit of status information (request service) simultaneously with several other devices. The assignment of a data line to a particular device for the response to a parallel poll may be accomplished through interface messages.
- c) The Device Clear and Device Trigger functions provide a device with the ability to be initialized or triggered, respectively, on command from the controller. This may occur simultaneously with other selected or all devices in a system.
- d) The remote/local function provides a device with the ability to accept program data from the bus, local data (for example, front panel controls), or both.



**Figure 1—Interface capabilities and bus structure**

### 1.3.3 Message paths and bus structure

The interface system contains a set of 16 signal lines used to carry all information, interface messages, and device-dependent messages among interconnected devices.

Messages may be coded on one or a set of signal lines as determined by the particular message content and its relationship to the interface system.

The bus structure is organized into three sets of signal lines:

- a) Data bus, eight signal lines
- b) Data byte transfer control bus, three signal lines
- c) General interface management bus, five paths

Figure 1 illustrates the basic communication paths.

A set of eight interface signal lines carries all 7 bit interface messages and the device-dependent messages

DIO1 (data input output 1)  
 .  
 .  
 .  
 .  
 .  
 .  
 .  
 .  
 DIO8 (data input output 8)

Message bytes are carried on the DIO signal lines in a bit-parallel byte-serial form, asynchronously, and generally in a bidirectional manner.

NOTE—A message may be carried on an individual DIO signal line when required.

A set of three interface signal lines is used to effect the transfer of each byte of data on the DIO signal lines from a talker or controller to one or more listeners:

- a) Data Valid (DAV) is used to indicate the condition (availability and validity) of information on the DIO signal lines.
- b) Not Ready For Data (NRFD) is used to indicate the condition of readiness of device(s) to accept data or (by a source) to indicate to all acceptors that it is capable of supporting noninterlocked handshake cycles.
- c) Not Data Accepted (NDAC) is used to indicate the condition of acceptance of data by device(s).

The DAV, NRFD, and NDAC signal lines operate in what is called a three-wire (interlocked) handshake or a noninterlocked handshake process to transfer each data byte across the interface.

Five interface signal lines are used to manage an orderly flow of information across the interface:

- a) Attention (ATN) is used (by a controller) to specify how data on the DIO signal lines are to be interpreted and which devices must respond to the data.
- b) Interface Clear (IFC) is used (by a controller) to place the interface system, portions of which are contained in all interconnected devices, in a known quiescent state.
- c) Service Request (SRQ) is used by a device to indicate the need for attention and to request an interruption of the current sequence of events.
- d) Remote Enable (REN) is used (by a controller), in conjunction with other messages, to enable or disable one or more local controls that have corresponding remote controls.
- e) End or Identify (EOI) is used (by a talker) to indicate the end of a multiple byte transfer sequence or, in conjunction with ATN (by a controller), to execute a polling sequence.

### 1.3.4 Interface system elements

The primary elements of this interface system are as follows:

- a) Functional elements
- b) Electrical elements
- c) Mechanical elements

Each is described in a following clause.

## 2. References

This standard shall be used in conjunction with the following standards. For this standard, all references have been updated to reflect the most recent editions. When these references have been superseded by an approved revision, the revision shall apply. For undated references, the latest edition of the referenced document (including any amendments) applies.

ANSI X3.4-1986, American National Standard Code for Information Interchange Coded Character Set—7-Bit.<sup>2</sup>

IEC 60068-2 (all parts) Environmental Testing – Part 2: Tests.<sup>3</sup>

IEC 61010-1:2001, Safety Requirements for Electrical Equipment for Measurement, Control, and Laboratory Use – Part 1: General requirements.

IEC 60359:2001: Electrical and Electronic Measuring Equipment — Expression of Performance.

MIL STD 202F (1986), Test Method for Electronic and Electrical Component Parts.<sup>4</sup>

---

<sup>2</sup>ANSI publications can be obtained from the Sales Department, American National Standards Institute, 11 West 42nd Street, 13th Floor, New York, NY 10036, USA.

<sup>3</sup>IEC publications also are available in the US from the Sales Department, American National Standards Institute, 11 West 42nd Street, 113 Floor, New York, NY 10036, USA.

<sup>4</sup>MIL publications are available from Customer Service, Defense Printing Service, 700 Robbins Ave., Bldg. 4D, Philadelphia, PA 19111-5094.