



BSI Standards Publication

**Packaging — Flexible
aluminium tubes — Test
method to measure the
deformation of the aluminium
tube body (Guillotine test)**

NO COPYING WITHOUT BSI PERMISSION EXCEPT AS PERMITTED BY COPYRIGHT LAW

National foreword

This British Standard is the UK implementation of EN 16285:2013.

The UK participation in its preparation was entrusted to Technical Committee PKW/0/-/10, Packaging - Plastics.

A list of organizations represented on this committee can be obtained on request to its secretary.

This publication does not purport to include all the necessary provisions of a contract. Users are responsible for its correct application.

© The British Standards Institution 2013. Published by BSI Standards Limited 2013

ISBN 978 0 580 74959 9

ICS 55.120

Compliance with a British Standard cannot confer immunity from legal obligations.

This British Standard was published under the authority of the Standards Policy and Strategy Committee on 23 February 2013.

Amendments issued since publication

Date	Text affected
------	---------------

EUROPEAN STANDARD

EN 16285

NORME EUROPÉENNE

EUROPÄISCHE NORM

February 2013

ICS 55.120

English Version

Packaging - Flexible aluminium tubes - Test method to measure the deformation of the aluminium tube body (Guillotine test)

Emballage - Tubes souples en aluminium - Méthode d'essai pour mesurer la déformation du corps du tube en aluminium (essai Guillotine)

Packmittel - Aluminiumtuben - Prüfverfahren zur Messung der Verformung des Mantels von Aluminiumtuben (Guillotine-Prüfung)

This European Standard was approved by CEN on 21 December 2012.

CEN members are bound to comply with the CEN/CENELEC Internal Regulations which stipulate the conditions for giving this European Standard the status of a national standard without any alteration. Up-to-date lists and bibliographical references concerning such national standards may be obtained on application to the CEN-CENELEC Management Centre or to any CEN member.

This European Standard exists in three official versions (English, French, German). A version in any other language made by translation under the responsibility of a CEN member into its own language and notified to the CEN-CENELEC Management Centre has the same status as the official versions.

CEN members are the national standards bodies of Austria, Belgium, Bulgaria, Croatia, Cyprus, Czech Republic, Denmark, Estonia, Finland, Former Yugoslav Republic of Macedonia, France, Germany, Greece, Hungary, Iceland, Ireland, Italy, Latvia, Lithuania, Luxembourg, Malta, Netherlands, Norway, Poland, Portugal, Romania, Slovakia, Slovenia, Spain, Sweden, Switzerland, Turkey and United Kingdom.



EUROPEAN COMMITTEE FOR STANDARDIZATION
COMITÉ EUROPÉEN DE NORMALISATION
EUROPÄISCHES KOMITEE FÜR NORMUNG

Management Centre: Avenue Marnix 17, B-1000 Brussels

Contents

	Page
Foreword.....	3
1 Scope	4
2 Testing equipment.....	4
3 Requirements.....	5
4 Execution.....	5
5 Test report.....	6

Currently in preview, click buy full version

Foreword

This document (EN 16285:2013) has been prepared by Technical Committee CEN/TC 261 "Packaging", the secretariat of which is held by AFNOR.

This European Standard shall be given the status of a national standard, either by publication of an identical text or by endorsement, at the latest by August 2013, and conflicting national standards shall be withdrawn at the latest by August 2013.

Attention is drawn to the possibility that some of the elements of this document may be the subject of patent rights. CEN [and/or CENELEC] shall not be held responsible for identifying any or all such patent rights.

According to the CEN/CENELEC Internal Regulations, the national standards organisations of the following countries are bound to implement this European Standard: Austria, Belgium, Bulgaria, Croatia, Cyprus, Czech Republic, Denmark, Estonia, Finland, Former Yugoslav Republic of Macedonia, France, Germany, Greece, Hungary, Iceland, Ireland, Italy, Latvia, Lithuania, Luxembourg, Malta, Netherlands, Norway, Poland, Portugal, Romania, Slovakia, Slovenia, Spain, Sweden, Switzerland, Turkey and the United Kingdom.

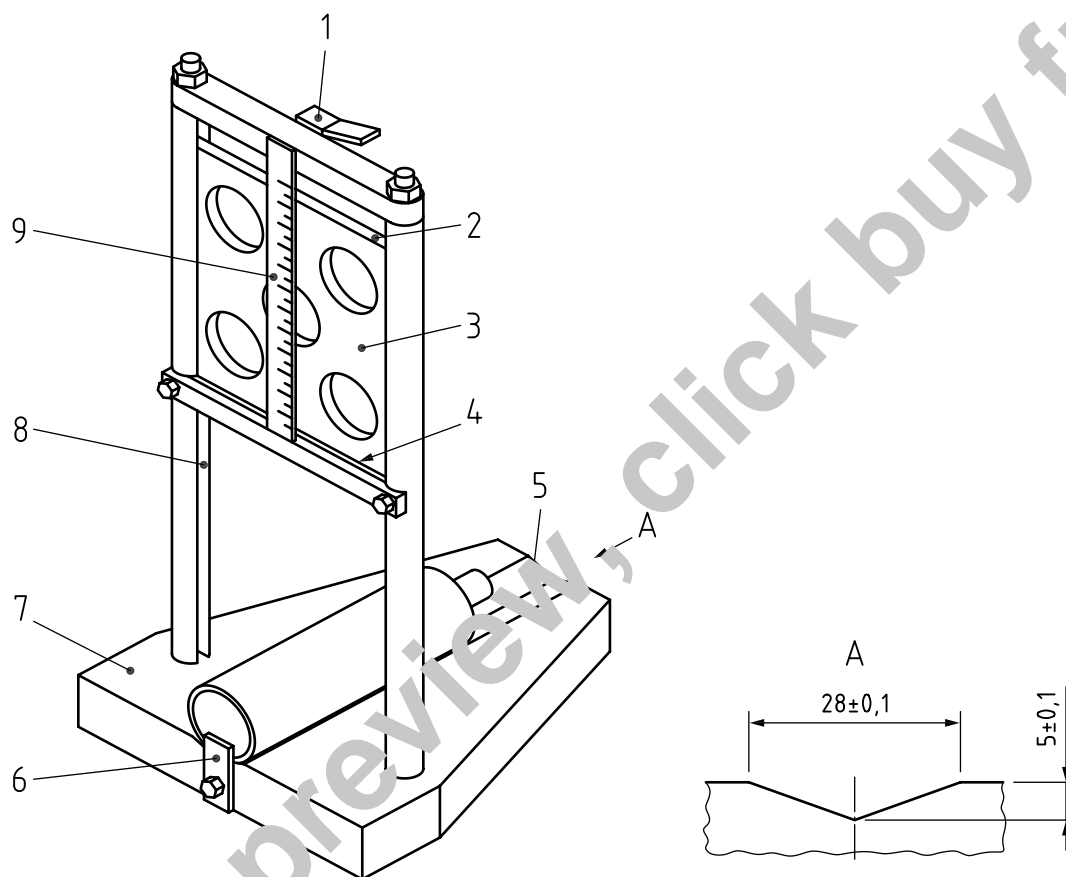
1 Scope

This European Standard specifies a method to measure the deformation of the aluminium tube body.

It is applicable to cylindrical aluminium tubes used for packing pharmaceutical, cosmetic, hygiene, food and other domestic and industrial products.

2 Testing equipment

The testing equipment (see Figure 1) shall conform to the information given below. Appropriate data should be chosen where no details are given.



Key

- 1 locking lever for drop weight
- 2 upper edge of drop weight
- 3 drop weight
- 4 lower edge of drop weight burr-free
- 5 prism shaped support
- 6 limit stop
- 7 base plate
- 8 width of guide groove
- 9 scale

Figure 1 – Test equipment