

AN AMERICAN NATIONAL STANDARD

Machine Mounting Specifications for Abrasive Discs and Plate Mounted Wheels

ANSI/ASME B5.35 - 1983

[Revision of B5.35-1969 (R1975)]

REAFFIRMED 1994

FOR CURRENT COMMITTEE PERSONNEL
PLEASE SEE ASME MANUAL AS-11

SPONSORED AND PUBLISHED BY
THE AMERICAN SOCIETY OF MECHANICAL ENGINEERS
United Engineering Center 345 East 47th Street New York, N.Y. 10017

Date of Issuance: May 31, 1984

This Standard will be revised when the Society approves the issuance of a new edition. There will be no addenda or written interpretations of the requirements of this Standard issued to this Edition.

This Code or Standard was developed under procedures accredited as meeting the criteria for American National Standards. The Consensus Committee that approved the code or standard was balanced to assure that individuals from competent and concerned interests have had an opportunity to participate. The proposed code or standard was made available for public review and comment which provides an opportunity for additional public input from industry, academia, regulatory agencies, and the public-at-large.

ASME does not "approve," "rate," or "endorse" any item, construction, proprietary device, or activity.

ASME does not take any position with respect to the validity of any patent rights asserted in connection with any items mentioned in this document, and does not undertake to insure anyone utilizing a standard against liability for infringement of any applicable Letters Patent, nor assume any such liability. Users of a code or standard are expressly advised that determination of the validity of any such patent rights, and the risk of infringement of such rights, is entirely their own responsibility.

Participation by federal agency representative(s) or person(s) affiliated with industry is not to be interpreted as government or industry endorsement of this code or standard.

ASME does not accept any responsibility for interpretations of this document made by individual volunteers.

No part of this document may be reproduced in any form,
in an electronic retrieval system or otherwise,
without the prior written permission of the publisher.

Copyright © 1984 by
THE AMERICAN SOCIETY OF MECHANICAL ENGINEERS
All Rights Reserved
Printed in U.S.A.

ERRATA
to
ANSI/ASME B5.35-1983
MACHINE MOUNTING SPECIFICATIONS FOR ABRASIVE DISCS
AND PLATE MOUNTED WHEELS

Page 2, Fig. 1.2 — *Correct socket head cap screw to show flat bottom, as illustrated below.*

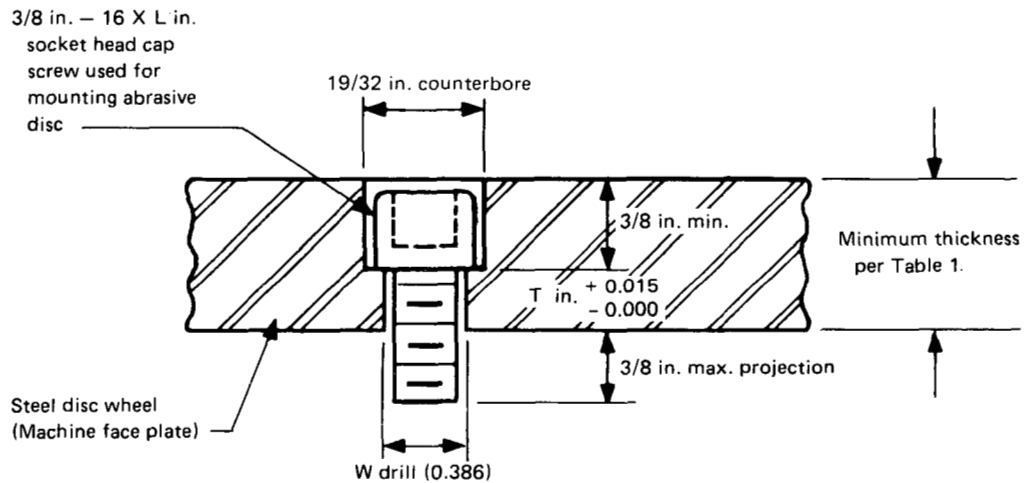


FIG. 1.2 DETAIL OF MOUNTING HOLE AND SCREW FOR INSERTED NUT TYPE MOUNTING

M0035E



Currently in preview, click buy full version

FOREWORD

(This Foreword is not part of ANSI/ASME B5.35-1983, Machine Mounting Specifications for Abrasive Discs and Plate Mounted Wheels.)

This Standard, Machine Mounting Specifications for Abrasive Discs and Plate Mounted Wheels, was approved as an American Standard by the American Standards Association (now the American National Standards Institute) on September 17, 1957. The characteristic which makes this class of wheels different from the conventional grinding wheel is the method by which they are mounted on the grinding machine where grinding is done on the exposed flat side of the wheel. The principal difference is that the power is impacted to the grinding wheel through either inserted nuts, inserted washers, projecting studs anchored on one side of the abrasive wheel, or a mounting plate of steel or other rigid material cemented to one side of the wheel.

The steel wheels (machine face plates) on which these abrasive discs and plate mounted wheels are mounted must be drilled with holes to match the location and pattern of the holes of the mounting plates or other anchoring devices in the mounting side of the abrasive wheels.

This Standard was considered for reaffirmation in November 1963 by TC31. Certain revisions for clarification were recommended, and the text of the Standard was reorganized and indexed to conform to the B5 style manual.

Following approval by TC31 and the B5 Standards Committee, the proposed revision was approved by the sponsors. It was approved by the USA Standards Institute and redesignated a USA Standard on January 3, 1969.

The present revision was approved by the American National Standards Institute on October 17, 1983.

ASME STANDARDS COMMITTEE B5

Machine Tools, Components, Elements, Performance, and Equipment

(The following is the roster of the Committee at the time of approval of this Standard.)

OFFICERS

P. Ackermann, Chairman
C. Brien, Vice-Chairman, Group B **H. Cooper, Vice-Chairman, Group C**
W. R. Daisak, Secretary

STANDARDS COMMITTEE

AMERICAN SOCIETY OF MECHANICAL ENGINEERS, THE

R. W. Black, Brown & Sharpe Manufacturing Co., North Kingstown, Rhode Island
F. S. Blackall, III, The Taft-Pierce Manufacturing Co., Woonsocket, Rhode Island

DEFENSE INDUSTRIAL PLANT EQUIPMENT CENTER

J. W. Lynch, Defense Industrial Plant Equipment Center, Memphis, Tennessee
D. Williams, Alternate, Defense Industrial Plant Equipment Center, Memphis, Tennessee

NATIONAL MACHINE TOOL BUILDERS ASSOCIATION

A. M. Bratkovich, Alternate, National Machine Tool Builders Association, McLean, Virginia
C. Brien, Bullard Co., Bridgeport, Connecticut

SOCIETY OF AUTOMOTIVE ENGINEERS

R. W. Kynast, The Cross Co., Fraser, Michigan

SOCIETY OF MANUFACTURING ENGINEERS

W. N. Moore, The Ford Motor Co., Dearborn, Michigan
R. Pugh, Jones & Lamson Co., Springfield, Vermont

TELEPHONE GROUP, THE

R. A. Agnew, Western Electric Co., Inc., Chicago, Illinois
S. P. Rogacki, Alternate, Western Electric Co., Inc., Kearny, New Jersey

U.S. DEPARTMENT OF THE ARMY

D. L. York, Liaison, Material Readiness Command, Rock Island, Illinois

U.S. DEPARTMENT OF THE NAVY

J. Haas, Department of the Navy, Washington, D.C.

INDIVIDUAL MEMBERS

P. Ackermann, Cincinnati Milacron, Inc., Cincinnati, Ohio
H. Cooper, Ultrafilt Inc., Troy, Michigan
R. J. Gargrave, Ready Stamping Systems, Dayton, Ohio
J. J. Smetana, General Electric Co., Schenectady, New York

SUBCOMMITTEE 49 – GRINDING MACHINES

G. Snyder, *Chairman*, Landis Tool Co., Waynesboro, Pennsylvania
R. Avery, Pontiac Motors Div., Pontiac, Michigan
R. S. Bibee, Atlas Crankshaft Corp., Fostoria, Ohio
R. J. Dahlin, Warner & Swasey Co., Worcester, Massachusetts
P. DeRamo, Hill Acme Machine Systems, Cleveland, Ohio
D. H. Garman, Cincinnati Milacron, Inc., Cincinnati, Ohio
R. Hullinger, Mack Trucks, Inc., Hagerstown, Maryland
B. R. Leathley, Oliver Instrument Co., Inc., Adrian, Michigan
W. W. Mowry, Norton Co., Worcester, Massachusetts
H. R. Uhtenwoldt, Cincinnati Milacron Heald Corp., Worcester, Massachusetts

CONTENTS

Foreword	iii
Standards Committee Roster	v

1	Purpose	1
2	Scope	1
3	General	1
4	Standard Hole Spacing for Steel Wheels (Machine Face Plates) for 10 in. to 30 in. Diameter Abrasive Discs	1
5	Standard Hole Spacing for Steel Wheels (Machine Face Plates) for Plate Mounted Wheels	6

Figures

1.1	Typical Inserted Nut Type Mounting	2
1.2	Detail of Mounting Hole and Screw for Inserted Nut Type Mounting	2
2	Typical Inserted Washer Type Mounting	4
3	Typical Tapped Mounting Plate Type Mounting	4
4	Typical Projecting Stud Type Mounting	5
5	Typical Cylinder Type Mounting	5
6	Typical Plate Type Mounting	7
7	10 in., 12 in., 14 in., 15 in., and 16 in. Diameter Discs	8
8	18 in., 20 in., 22 in., 23 in., and 24 in., Diameter Discs	9
9	26 in. and 30 in. Diameter Discs	10
10	36 in. Diameter Disc	11
11	40 in. Diameter Disc	12
12	42 in. Diameter Disc	13
13	48 in. Diameter Disc	14
14	53 in. Diameter Disc	15
15	72 in. Diameter Disc	16
16	84 in. Diameter Disc	17
17	10 in., 11 in., 14 in., 18 in., and 20 in. Diameter Cylinder Type Discs	18

Tables

1	Standard Diameters and Minimum Thicknesses of Steel Disc Wheels, in.	3
2	Standard Diameters of Inserted Washer Type Discs, in.	3
3	Standard Diameters of Tapped Mounting Plate Type Discs, in.	3
4	Standard Diameters of Projecting Stud Type Discs, in.	3
5	Standard Diameters of Cylinder Type Discs, in.	3
6	Standard Diameters of Plate Mounted Wheels, in.	3

AN AMERICAN NATIONAL STANDARD

MACHINE MOUNTING SPECIFICATIONS FOR ABRASIVE DISCS AND PLATE MOUNTED WHEELS

1 PURPOSE

To provide standards to be used in the design of machine face plates matching the location of nuts, washers, studs of abrasive discs, or plain or tapped holes of plate mounted wheels.

2 SCOPE

This Standard covers ANSI Standard practice for location and size of bolt holes for mounting abrasive discs and plate mounted wheels.

3 GENERAL

3.1 Abrasive discs are bonded abrasives which are molded with inserted nuts, inserted washers, projecting studs, or a tapped mounting plate on the mounting side of the abrasive disc. The nuts, washers, studs, or tapped holes are located in a pattern to match the spacing of corresponding holes in the machine face plate.

3.2 For standard diameters and minimum thicknesses of steel disc wheels, see Table 1.

3.3 Inserted nut type discs (see Fig. 1.1) are those having threaded nuts anchored in the mounting side of the disc which are located in a pattern to match the spacing of corresponding holes in the machine face plate (see Fig. 1.2).

3.4 Inserted washer type discs (see Table 2 and Fig. 2) are those having washers anchored in the mounting side of the disc which are located in a pattern to match the corresponding holes in the machine face plate.

3.5 Tapped mounting plate type discs (see Table 3 and Fig. 3) are those having a mounting plate cemented to the mounting side of the disc which has

tapped holes located in a pattern to match the corresponding holes in the machine face plate.

3.6 Projecting stud type discs (see Table 4 and Fig. 4) are those having studs enclosed in the mounting side of the disc which are located in a pattern to match the corresponding holes in the machine face plate.

3.7 Cylinder type discs (see Table 5 and Fig. 5) are similar in shape to Type 2 abrasive wheels. Mounting may be by means of inserted nuts, projecting studs, or tapped mounting plate. The mounting means are located in a pattern to match the corresponding holes in the machine face plate.

3.8 Plate mounted wheels (see Tables 6 and Fig. 6) are bonded abrasives having mounting plates of steel or other rigid material cemented to the mounting side of the wheel which has mounting holes located in a pattern to match corresponding holes in the machine face plate. The mounting holes are always located within the inside diameter of the abrasive section. Grinding is done on the exposed flat side.

4 STANDARD HOLE SPACING FOR STEEL WHEELS (MACHINE FACE PLATES) FOR 10 in. TO 30 in. DIAMETER ABRASIVE DISCS

See ANSI B7.1, American National Standard Safety Requirements for the Use, Care, and Protection of Abrasive Wheels, Table 2, Minimum Thickness of Machine Face Plates (Steel Disc Wheels) for Mounting Abrasive Discs.

4.1 For 10 in. to 30 in. diameter discs, see Figs. 7, 8, and 9.

4.1.1 Holes on each bolt circle are equally spaced.