

ASME B30.5-2007
(Revision of ASME B30.5-2004)

Mobile and Locomotive Cranes

**Safety Standard for Cableways, Cranes, Derricks, Hoists,
Hooks, Jacks, and Slings**

AN AMERICAN NATIONAL STANDARD



**The American Society of
Mechanical Engineers**

Copyright © 2008 by the American Society of Mechanical Engineers.
No reproduction may be made of this material without written consent of ASME.



ASME B30.5-2007
(Revision of ASME B30.5-2004)

Mobile and Locomotive Cranes

**Safety Standard for Cableways, Cranes, Derricks, Hoists,
Hooks, Jacks, and Slings**

AN AMERICAN NATIONAL STANDARD



**The American Society of
Mechanical Engineers**

Three Park Avenue • New York, NY 10016

Copyright © 2008 by the American Society of Mechanical Engineers.
No reproduction may be made of this material without written consent of ASME.



Date of Issuance: March 7, 2008

The next edition of this Standard is scheduled for publication in 2010. There will be no addenda issued to this edition.

ASME issues written replies to inquiries concerning interpretations of technical aspects of this Standard. Interpretations are published on the ASME Web site under the Committee Pages at <http://cstools.asme.org/> as they are issued, and will also be published within the next edition of the Standard.

ASME is the registered trademark of The American Society of Mechanical Engineers.

This code or standard was developed under procedures accredited as meeting the criteria for American National Standards. The Standards Committee that approved the code or standard was balanced to assure that individuals from competent and concerned interests have had an opportunity to participate. The proposed code or standard was made available for public review and comment that provides an opportunity for additional public input from industry, academia, regulatory agencies, and the public-at-large.

ASME does not “approve,” “rate,” or “endorse” any item, construction, proprietary device, or activity.

ASME does not take any position with respect to the validity of any patent rights asserted in connection with any items mentioned in this document, and does not undertake to insure anyone utilizing a standard against liability for infringement of any applicable letters patent, nor assume any such liability. Users of a code or standard are expressly advised that determination of the validity of any such patent rights, and the risk of infringement of such rights, is entirely their own responsibility.

Participation by federal agency representative(s) or person(s) affiliated with industry is not to be interpreted as government or industry endorsement of this code or standard.

ASME accepts responsibility for only those interpretations of this document issued in accordance with the established ASME procedures and policies, which precludes the issuance of interpretations by individuals.

No part of this document may be reproduced in any form,
in an electronic retrieval system or otherwise,
without the prior written permission of the publisher.

The American Society of Mechanical Engineers
Three Park Avenue, New York, NY 10016-5990

Copyright © 2008 by
THE AMERICAN SOCIETY OF MECHANICAL ENGINEERS
All rights reserved
Printed in U.S.A.



CONTENTS

Foreword	v
Committee Roster	vii
B30 Standard Introduction	ix
Summary of Changes	xi
Chapter 5-0 Scope, Definitions, and References	1
Section 5-0.1 Scope of B30.5	1
Section 5-0.2 Definitions	1
Section 5-0.3 References	7
Chapter 5-1 Construction and Characteristics	8
Section 5-1.1 Load Ratings	8
Section 5-1.2 Stability (Backward and Forward)	9
Section 5-1.3 Boom Hoist, Load Hoist, and Telescoping Boom Mechanisms	14
Section 5-1.4 Swing Mechanism	15
Section 5-1.5 Crane Travel	15
Section 5-1.6 Controls	15
Section 5-1.7 Ropes and Reeving Accessories	18
Section 5-1.8 Cabs	19
Section 5-1.9 General Requirements	20
Section 5-1.10 Structural Performance	21
Section 5-1.11 Cranes Used for Other Than Lifting Service	22
Chapter 5-2 Inspection, Testing, and Maintenance	23
Section 5-2.1 Inspection — General	23
Section 5-2.2 Testing	24
Section 5-2.3 Maintenance	25
Section 5-2.4 Rope Inspection, Replacement, and Maintenance	25
Chapter 5-3 Operation	28
Section 5-3.1 Qualifications and Responsibilities	28
Section 5-3.2 Operating Practices	32
Section 5-3.3 Signals	35
Section 5-3.4 Miscellaneous	35
Figures	
1 Commercial Truck-Mounted Crane — Telescoping Boom	1
2 Commercial Truck-Mounted Crane — Nontelelescoping Boom	2
3 Crawler Crane	2
4 Crawler Crane — Telescoping Boom	2
5 Locomotive Crane	3
6 Wheel-Mounted Crane (Multiple Control Stations)	3
7 Wheel-Mounted Crane — Telescoping Boom (Multiple Control Stations)	4
8 Wheel-Mounted Crane (Single Control Station)	4
9 Wheel-Mounted Crane — Telescoping Boom (Single Control Station, Rotating)	4
10 Wheel-Mounted Crane — Telescoping Boom (Single Control Station, Fixed)	5
11 Work Areas	10
12 Telescopic Boom Crane Control Diagram	16
13 Nontelelescopic Boom Crane Control Diagram	17



14	Dead Ending Rope in a Socket	19
15	Core Failure in 19 × 7 Rotation-Resistant Rope	26
16	Examples of Typical Unequal Outrigger Extension Positions	34
17	Standard Hand Signals for Controlling Crane Operations	36
18	Danger Zone for Cranes and Lifted Loads Operating Near Electrical Transmission Lines	39
Tables		
1	Crane Load Ratings	8
2	Required Clearance for Normal Voltage in Operation Near High-Voltage Power Lines and Operation in Transit With No Load and Boom or Mast Lowered	41



FOREWORD

This American National Standard, Safety Standard for Cableways, Cranes, Derricks, Hoists, Hooks, Jacks, and Slings, has been developed under the procedures accredited by the American National Standards Institute (formerly the United States of America Standards Institute). This Standard had its beginning in December 1916 when an eight-page Code of Safety Standards for Cranes, prepared by an ASME Committee on the Protection of Industrial Workers, was presented to the annual meeting of the ASME.

Meetings and discussions regarding safety on cranes, derricks, and hoists were held from 1920 to 1925, involving the ASME Safety Code Correlating Committee, the Association of Iron and Steel Electrical Engineers, the American Museum of Safety, the American Engineering Standards Committee (later changed to American Standards Association and subsequently to the USA Standards Institute), Department of Labor—State of New Jersey, Department of Labor and Industry—State of Pennsylvania, and the Locomotive Crane Manufacturers Association. On June 11, 1925, the American Engineering Standards Committee approved the ASME Safety Code Correlating Committee's recommendation and authorized the project with the U.S. Department of the Navy, Bureau of Yards and Docks, and ASME as sponsors.

In March 1926, invitations were issued to 50 organizations to appoint representatives to a Sectional Committee. The call for organization of this Sectional Committee was sent out October 2, 1926, and the committee organized November 4, 1926, with 57 members representing 29 national organizations. The Safety Code for Cranes, Derricks, and Hoists, ASA B30.2-1943, was created from the eight-page document referred to in the first paragraph. This document was reaffirmed in 1952 and widely accepted as a safety standard.

Due to changes in design, advancement in techniques, and general interest of labor and industry in safety, the Sectional Committee, under the joint sponsorship of ASME and the Naval Facilities Engineering Command, U.S. Department of the Navy, was reorganized as an American National Standards Committee on January 31, 1962, with 39 members representing 27 national organizations.

The format of the previous code was changed so that separate volumes (each complete as to construction and installation; inspection, testing, and maintenance; and operation) would cover the different types of equipment included in the scope of B30.

In 1982, the Committee was reorganized as an Accredited Organization Committee, operating under procedures developed by ASME and accredited by the American National Standards Institute.

This Standard presents a coordinated set of rules that may serve as a guide to government and other regulatory bodies and municipal authorities responsible for the guarding and inspection of the equipment falling within its scope. The suggestions leading to accident prevention are given both as mandatory and advisory provisions; compliance with both types may be required by employers of their employees.

In case of practical difficulties, new developments, or unnecessary hardship, the administrative or regulatory authority may grant variances from the literal requirements or permit the use of other devices or methods, but only when it is clearly evident that an equivalent degree of protection is thereby secured. To secure uniform application and interpretation of this Standard, administrative or regulatory authorities are urged to consult the B30 Committee, in accordance with the format described in Section III of the Introduction, before rendering decisions on disputed points.

Safety codes and standards are intended to enhance public safety. Revisions result from committee consideration of factors such as technological advances, new data, and changing environmental and industry needs. Revisions do not imply that previous editions were inadequate.



Suggestions for the improvement of this volume of the Standard are welcome. They should be addressed to The American Society of Mechanical Engineers; Secretary, B30 Main Committee; Three Park Avenue; New York, NY 10016-5990.

This volume of the Standard, which was approved by the B30 Committee and by ASME, was approved by ANSI and designated as an American National Standard on November 20, 2007.

Currently in preview, click buy full versio



ASME B30 COMMITTEE

Safety Standards for Cableways, Cranes, Derricks, Hoists, Hooks, Jacks, and Slings

(The following is the roster of the Committee at the time of approval of this Standard.)

STANDARDS COMMITTEE OFFICERS

P. S. Zorich, *Chair*
B. D. Closson, *Vice Chair*
J. D. Wendler, *Secretary*

STANDARDS COMMITTEE PERSONNEL

N. E. Andrew, Northrop Grumman Ship Systems
W. T. Hargrove, *Alternate*, ManTech International Corp.
R. E. Bluff IV, Gantry Constructors, Inc.
R. J. Bolen, Consultant
G. B. Hetherston, *Alternate*, E. I. du Pont de Nemours & Co., Inc.
A. D. Brown, A. D. Brown Co.
W. J. Smith, Jr., *Alternate*, Nations Builders Insurance Services
M. E. Brunet, Manitowoc Crane Group
E. D. Fidler, *Alternate*, Grove Worldwide, Manitowoc Crane Group
T. A. Christensen, Liberty Mutual Insurance/Alliance of American Insurers
M. W. Mills, *Alternate*, Liberty Mutual Group
B. D. Closson, Craft Forensic Services
T. L. Blanton, *Alternate*, NACB Group, Inc.
J. P. Colletti, John P. Colletti & Associates, Inc.
R. A. Dahlin, Walker Magnetics Group, Inc.
J. W. Downs, Jr., *Alternate*, Downs Crane & Hoist Co., Inc.
L. D. DeMark, International Union of Operating Engineers
A. J. Lusi, *Alternate*, International Union of Operating Engineers
D. W. Eckstine, Eckstine & Associates
R. J. Edwards, Schwing America, Inc.
D. R. Remus, *Alternate*, Reed Manufacturing Union of Operating Engineers
J. L. Gordon, Acco Chain and Lifting Products
N. C. Hargreaves, Power Crane and Hoist Association/Terex Corp.
C. E. Imerman, *Alternate*, Link-Belt Construction Equipment
J. J. Headley, Crane Institute of America, Inc.
C. W. Ireland, National Oilwell
A. Egging, *Alternate*, National Oilwell
L. S. Johnson, Fluor Construction Technology
E. P. Vliet, *Alternate*, Turner Industries
P. R. Juhren, Morrow Equipment Co.
R. M. Kohne, Landmark Engineering Services
H. I. Shapiro, *Alternate*, Specialized Carriers and Rigging Association/Howard I. Shapiro & Associates Consulting Engineers
C. E. Lucas, The Crosby Group
P. A. Boeckman, *Alternate*, The Crosby Group
E. K. Marburg, Columbus McKinnon Corp.
R. J. Burkey, *Alternate*, Columbus McKinnon Corp.
L. D. Means, Means Engineering and Consulting/Wire Rope Technical Board
D. M. Sleight, *Alternate*, Bridon America Corp.
K. J. Miller, Jacobs Engineering Group
D. W. Smith, *Alternate*, Chicago Bridge and Iron Co.
G. L. Crenshaw, Granite Construction Co.
R. H. Parrell, Wire Rope Rigging Consultants/Industrial Training International
P. D. Sweeney, *Alternate*, General Dynamics, Electric Boat
J. J. Perkins, Ingersoll-Rand
H. G. Leidich, *Alternate*, Leidich Consulting Services
D. W. Ritchie, St. Paul Companies
D. Daul, *Alternate*, Travelers Insurance
W. P. Rollins, Consultant
J. W. Rowland III, Consultant
J. C. Ryan, BOH Bros. Construction Co.
A. Ruud, *Alternate*, Atkinson Construction
D. Sayenga, The Cardon Management Group
J. A. Gilbert, *Alternate*, Associated Wire Rope Fabricators
G. W. Shields, Caterpillar, Inc.
R. G. Strain, Advanced Automation Technologies, Inc.
J. B. Hamill, *Alternate*, Advanced Automation Associates
A. R. Toth, Morris Material Handling
B. E. Weir, Jr., Norris Brothers Co., Inc./National Erectors Association
J. D. Wendler, The American Society of Mechanical Engineers
R. C. Wild, U.S. Army Corps of Engineers
E. B. Stewart, *Alternate*, U.S. Army Corps of Engineers
D. N. Wolff, National Crane Corp., Manitowoc Crane Group
A. L. Calta, *Alternate*, National Crane Corp., Manitowoc Crane Group
P. S. Zorich, RZP International Ltd.
H. W. Fair, *Alternate*, H. Fair Associates

HONORARY MEMBERS

J. L. Franks, Consultant
J. M. Klibert, Lift-All Co., Inc.
R. W. Parry, Consultant



B30.5 SUBCOMMITTEE PERSONNEL

- J. C. Ryan**, *Chair*, BOH Bros. Construction Co.
- R. J. Bolen**, Consultant
- M. E. Brunet**, Manitowoc Crane Group
- L. D. DeMark**, International Union of Operating Engineers
- A. J. Lusi**, *Alternate*, International Union of Operating Engineers
- D. W. Eckstine**, Eckstine & Associates
- W. J. Smith, Jr.**, *Alternate*, Nations Builders Insurance Services
- E. D. Fidler**, Grove Worldwide, Manitowoc Crane Group
- N. C. Hargreaves**, *Alternate*, Terex Corp./Power Crane and Shovel Association
- L. S. Johnson**, Fluor Construction Technology Group
- E. P. Vliet**, *Alternate*, Turner Industries
- R. M. Kohner**, Landmark Engineering Services
- D. L. Morgan**, *Alternate*, Fluor Hanford
- G. L. Owens**, Granite Construction
- W. P. Rollins**, *Alternate*, Consultant
- D. W. Ritchie**, St. Paul Companies
- J. W. Rowland**, Consultant
- R. S. Stemp**, Lampson International
- R. C. Wild**, U.S. Army Corps of Engineers
- D. N. Wolff**, National Crane, Manitowoc Crane Group
- A. L. Calta**, *Alternate*, National Crane, Manitowoc Crane Group



SAFETY STANDARD FOR CABLEWAYS, CRANES, DERRICKS, HOISTS, HOOKS, JACKS, AND SLINGS

B30 STANDARD INTRODUCTION

SECTION I: SCOPE

The ASME B30 Standard contains provisions that apply to the construction, installation, operation, inspection, testing, maintenance, and use of cranes and other lifting and material-handling related equipment. For the convenience of the reader, the Standard has been divided into separate volumes. Each volume has been written under the direction of the ASME B30 Standards Committee and has successfully completed a consensus approval process under the general auspices of the American National Standards Institute (ANSI).

As of the date of issuance of this Volume, the B30 Standard comprises the following volumes:

- B30.1 Jacks
- B30.2 Overhead and Gantry Cranes (Top Running Bridge, Single or Multiple Girder, Top Running Trolley Hoist)
- B30.3 Construction Tower Cranes
- B30.4 Portal, Tower, and Pedestal Cranes
- B30.5 Mobile and Locomotive Cranes
- B30.6 Derricks
- B30.7 Base-Mounted Drum Hoists
- B30.8 Floating Cranes and Floating Derricks
- B30.9 Slings
- B30.10 Hooks
- B30.11 Monorails and Underhung Cranes
- B30.12 Handling Loads Suspended From Rotorcraft
- B30.13 Storage/Retrieval (S/R) Machines and Associated Equipment
- B30.14 Side Boom Tractors
- B30.15 Mobile Hydraulic Cranes
(with traction 1982 — requirements found in latest revision of B30.5)
- B30.16 Overhead Hoists (Underhung)
- B30.17 Overhead and Gantry Cranes (Top Running Bridge, Single Girder, Underhung Hoist)
- B30.18 Stacker Cranes (Top or Under Running Bridge, Multiple Girder With Top or Under Running Trolley Hoist)
- B30.19 Cableways
- B30.20 Below-the-Hook Lifting Devices
- B30.21 Manually Lever-Operated Hoists
- B30.22 Articulating Boom Cranes
- B30.23 Personnel Lifting Systems

- B30.24 Container Cranes¹
- B30.25 Scrap and Material Handlers
- B30.26 Rigging Hardware
- B30.27 Material Placement Systems
- B30.28 Balance Lifting Units¹
- B30.29 Self-Erecting Tower Cranes¹

SECTION II: SCOPE EXCLUSIONS

The B30 Standard does not apply to track and automotive jacks, railway or automobile wrecking cranes, shipboard cranes, shipboard cargo-handling equipment, well-drilling derricks, skip hoists, mine hoists, truck body hoists, car or barge pullers, conveyors, excavating equipment, or equipment covered under the scope of the following standards: A10, A17, A90, A92, A120, B20, B36, and B77.

SECTION III: PURPOSE

The B30 Standard is intended to

- (a) prevent or minimize injury to workers, and otherwise provide for the protection of life, limb, and property by prescribing safety requirements
- (b) provide direction to manufacturers, owners, employers, users, and others concerned with, or responsible for, its application
- (c) guide governments and other regulatory bodies in the development, promulgation, and enforcement of appropriate safety directives

SECTION IV: USE BY REGULATORY AGENCIES

These Volumes may be adopted in whole or in part for governmental or regulatory use. If adopted for governmental use, the references to other national codes and standards in the specific volumes may be changed to refer to the corresponding regulations of the governmental authorities.

SECTION V: EFFECTIVE DATE

(a) *Effective Date.* The effective date of this Volume of the B30 Standard shall be 1 year after its date of issuance.

¹ These volumes are currently in the development process.



Construction, installation, inspection, testing, maintenance, and operation of equipment manufactured and facilities constructed after the effective date of this Volume shall conform to the mandatory requirements of this Volume.

(b) *Existing Installations.* Equipment manufactured and facilities constructed prior to the effective date of this Volume of the B30 Standard shall be subject to the inspection, testing, maintenance, and operation requirements of this Standard after the effective date.

It is not the intent of this Volume of the B30 Standard to require retrofitting of existing equipment. However, when an item is being modified, its performance requirements shall be reviewed relative to the requirements within the current volume. The need to meet the current requirements shall be evaluated by a qualified person selected by the owner (user). Recommended changes shall be made by the owner (user) within 1 year.

SECTION VI: REQUIREMENTS AND RECOMMENDATIONS

Requirements of this Standard are characterized by use of the word *shall*. Recommendations of this Standard are characterized by the word *should*.

SECTION VII: USE OF MEASUREMENT UNITS

This Standard contains SI (metric) units as well as U.S. Customary units. The values stated in customary units are to be regarded as the standard. The SI units are a direct (soft) conversion from the customary units.

SECTION VIII: REQUESTS FOR REVISION

The B30 Standards Committee will consider requests for revision of any of the volumes within the B30 Standard. Such requests should be directed to

Secretary, B30 Standards Committee
ASME Codes and Standards
Three Park Avenue
New York, NY 10016-5990

Requests should be in the following format:

- Volume: Cite the designation and title of the volume.
Edition: Cite the applicable edition of the volume.
Subject: Cite the applicable paragraph number(s) and the relevant heading(s).
Request: Indicate the suggested revision.
Rationale: State the rationale for the suggested revision.

Upon receipt by the Secretary, the request will be forwarded to the relevant B30 Subcommittee for consideration and action. Correspondence will be provided to

the requester defining the actions undertaken by the B30 Standards Committee.

SECTION IX: REQUESTS FOR INTERPRETATION

The B30 Standards Committee will render an interpretation of the provisions of the B30 Standard. Such requests should be directed to

Secretary, B30 Standards Committee
ASME Codes and Standards
Three Park Avenue
New York, NY 10016-5990

Requests should be in the following format:

- Volume: Cite the designation and title of the volume.
Edition: Cite the applicable edition of the volume.
Subject: Cite the applicable paragraph number(s) and the relevant heading(s).
Question: Phrase the question as a request for an interpretation of a specific provision suitable for general understanding and use, not as a request for approval of a proprietary design or situation. Plans or drawings that explain the question may be submitted to clarify the question. However, they should not contain any proprietary names or information.

Upon receipt by the Secretary, the request will be forwarded to the relevant B30 Subcommittee for a draft response, which will then be subject to approval by the B30 Standards Committee prior to its formal issuance.

Interpretations to the B30 Standard will be published in the subsequent edition of the respective volume, and will be available online at <http://cstools.asme.org>.

SECTION X: ADDITIONAL GUIDANCE

The equipment covered by the B30 Standard is subject to hazards that cannot be abated by mechanical means, but only by the exercise of intelligence, care, and common sense. It is therefore essential to have personnel involved in the use and operation of equipment who are competent, careful, physically and mentally qualified, and trained in the proper operation of the equipment and the handling of loads. Serious hazards include, but are not limited to, improper or inadequate maintenance, overloading, dropping or slipping of the load, obstructing the free passage of the load, and using equipment for a purpose for which it was not intended or designed.

The B30 Standards Committee fully realizes the importance of proper design factors, minimum or maximum dimensions, and other limiting criteria of wire rope or chain and their fastenings, sheaves, sprockets,



drums, and similar equipment covered by the standard, all of which are closely connected with safety. Sizes, strengths, and similar criteria are dependent on many different factors, often varying with the installation and uses. These factors depend on

- (a) the condition of the equipment or material
- (b) the loads
- (c) the acceleration or speed of the ropes, chains, sheaves, sprockets, or drums

- (d) the type of attachments
- (e) the number, size, and arrangement of sheaves or other parts
- (f) environmental conditions causing corrosion or wear
- (g) many variables that must be considered in each individual case

The requirements and recommendations provided in the volumes must be interpreted accordingly, and judgment used in determining their application.



ASME B30.5-2007 SUMMARY OF CHANGES

Following approval by the ASME B30 Committee and ASME, and after public review, ASME B30.5-2007 was approved by the American National Standards Institute on November 20, 2007.

ASME B30.5-2007 includes editorial changes, revisions, and corrections identified by a margin note, (07).

<i>Page</i>	<i>Location</i>	<i>Change</i>
ix–xi	B30 Standard Introduction	Revised in its entirety
5	5-0.2.2	Definition of <i>ensure</i> added
7	Section 5-0.3	Updated
9	5-1.1.3(a)(6)	Added
24	5-2.2.1(a)	Revised
26, 27	5-2.4.3	Subparagraphs (b)(3), (b)(5), (b)(6), (b)(8), (b)(9), and (d) revised
	5-2.4.4(c)	Revised in its entirety
28	Section 5-3.1	Title revised
	5-3.1.1(a)(1)	Reference to (f) added
	5-3.1.2(b)(5)	Revised
29–32	5-3.1.3	Revised in its entirety
	5-3.2.1.4(a)	Revised
38, 41	5-3.4.5.2	New subpara. (c) added, subsequent subparagraphs redesignated

SPECIAL NOTE:

The interpretations to ASME B30.5 are included in this edition as a separate section for the user's convenience.



MOBILE AND LOCOMOTIVE CRANES

Chapter 5-0 Scope, Definitions, and References

SECTION 5-0.1: SCOPE OF B30.5

Within the general scope defined in Section I, American National Standard B30.5 applies to crawler cranes, locomotive cranes, wheel-mounted cranes, and any variations thereof that retain the same fundamental characteristics. The scope includes only cranes of the above types that are basically powered by internal combustion engines or electric motors. Side boom tractors and cranes designed for railway and automobile wreck clearance, digger derricks, cranes manufactured specifically for, or when used for, energized electrical line service, knuckle boom, trolley boom cranes, and cranes having a maximum rated capacity of one ton or less are excluded.

Special adaptations to the general types of machines covered by this volume, where applicable, fall under this scope.

Some basic machine types within this scope are used alternatively for lifting service and for applications not considered to be lifting service. All of the requirements of this Volume are applicable to such machines when used for lifting service. However, at a minimum, Section 5-1.11, Chapter 5-2, and Section 5-3.1 of this Volume apply to machines when used in other than lifting service.

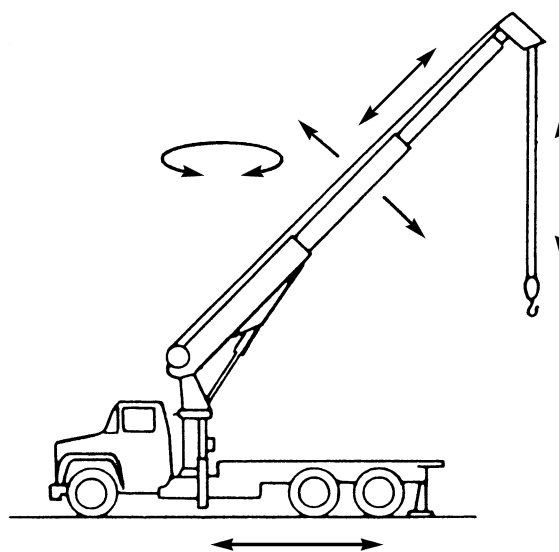
SECTION 5-0.2: DEFINITIONS

5-0.2.1 Types of Mobile and Locomotive Cranes

commercial truck-mounted crane: a crane consisting of a rotating superstructure (center post or turntable), boom, operating machinery, and one or more operator's stations mounted on a frame attached to a commercial truck chassis, usually retaining a payload hauling capability whose power source usually powers the crane. Its function is to lift, lower, and swing loads at various radii (see Figs. 1 and 2).

crawler crane: a crane consisting of a rotating superstructure with a power plant, operating machinery, and boom, mounted on a base and equipped with crawler treads for travel. Its function is to lift, lower, and swing loads at various radii (see Figs. 3 and 4).

Fig. 1 Commercial Truck-Mounted Crane — Telescoping Boom



GENERAL NOTE: The boom may have a base boom structure of sections (upper and lower) between or beyond which additional sections may be added to increase its length, or it may consist of a base boom from which one or more boom extensions are telescoped for additional length.

locomotive crane: a crane consisting of a rotating superstructure with a power plant, operating machinery, and boom, mounted on a base or car equipped for travel on a railroad track. It may be self-propelled or propelled by an outside source. Its function is to lift, lower, and swing loads at various radii (see Fig. 5).

wheel-mounted crane (multiple control stations): a crane consisting of a rotating superstructure, operating machinery, and operator's station and boom, mounted on a crane carrier equipped with axles and rubber-tired wheels for travel, a power source(s), and having separate stations for driving and operating. Its function is to lift, lower, and swing loads at various radii (see Figs. 6 and 7).