



STANDARD

ANSI/ASHRAE Standard 215-2018

Method of Test to Determine Leakage of Operating HVAC Air Distribution Systems

Approved by ASHRAE on May 31, 2018; and by the American National Standards Institute on June 1, 2018.

ASHRAE® Standards are scheduled to be updated on a five-year cycle; the date following the Standard number is the year of ASHRAE approval. The latest edition of an ASHRAE Standard may be purchased on the ASHRAE website (www.ashrae.org) or from ASHRAE Customer Service, 1791 Tullie Circle, NE, Atlanta, GA 30329-2305. E-mail: orders@ashrae.org. Fax: 678-533-2129. Telephone: 404-636-8400 (worldwide) or toll free 1-800-527-4723 (for orders in US and Canada). For reprint permission, go to www.ashrae.org/permissions.

© 2018 ASHRAE ISSN 1041-2336



Includes links to downloadable Airtightness Diagnostic Procedure example data and related calculations.

ASHRAE Standard Project Committee 215
Cognizant TC: 5.2, Duct Design
SPLS Liaison: Erik A Phelps

Craig P. Wray*, *Chair*
Jeffrey G. Boldt*
Leonard A. Damiano*
Stephen A. Idem*
Ganeson Kandasamy*
Jeff R. Miller*

Mark P. Modera*
Robert S. Reid*
Larry A. Smith*
John Bade
Herman F. Behls
Erik S. Emblem

John B. Gierzak
Gwelen Paliaga
Ed Rafalski
Neal Walsh

* Denotes members of voting status when the document was approved for publication

ASHRAE STANDARDS COMMITTEE 2017–2018

Steven J. Emmerich, *Chair*
Donald M. Brundage, *Vice-Chair*
Niels Bidstrup
Michael D. Corbat
Drury B. Crawley
Julie M. Ferguson
Michael W. Gallagher
Walter T. Grondzik
Vinod P. Gupta
Susanna S. Hanson

Roger L. Hedrick
Rick M. Heiden
Jonathan Humble
Srinivas Katipamula
Kwang Woo Kim
Larry Kouma
Arsen K. Melikov
R. Lee Millies, Jr.
Karl L. Peterman
Erick A. Phelps

David Robin
Peter Simmonds
Dennis A. Stanke
Vernon H. Stoppelmoor, Jr.
Richard T. Swierczyna
Jack H. Zarour
Lawrence C. Markel, *BOD ExO*
M. Ginger Scoggins, *CO*

Steven C. Ferguson, *Senior Manager of Standards*

SPECIAL NOTE

This American National Standard (ANS) is a national voluntary consensus Standard developed under the auspices of ASHRAE. Consensus is defined by the American National Standards Institute (ANSI), of which ASHRAE is a member and which has approved this Standard as an ANS, as "substantial agreement reached by directly and materially affected interest categories. This signifies the concurrence of more than a simple majority, but not necessarily unanimity. Consensus requires that all views and objections be considered, and that an effort be made toward their resolution." Compliance with this Standard is voluntary until and unless a legal jurisdiction makes compliance mandatory through legislation.

ASHRAE obtains consensus through participation of its national and international members, associated societies, and public review.

ASHRAE Standards are prepared by a Project Committee appointed specifically for the purpose of writing the Standard. The Project Committee Chair and Vice-Chair must be members of ASHRAE; while other committee members may or may not be ASHRAE members, all must be technically qualified in the subject area of the Standard. Every effort is made to balance the concerned interests on all Project Committees.

The Senior Manager of Standards of ASHRAE should be contacted for

- a. interpretation of the contents of this Standard,
- b. participation in the next review of the Standard,
- c. offering constructive criticism for improving the Standard, or
- d. permission to reprint portions of the Standard.

DISCLAIMER

ASHRAE makes its best efforts to promulgate Standards and Guidelines for the benefit of the public in light of available information and accepted industry practices. However, ASHRAE does not guarantee, certify, or assure the safety or performance of any products, components, or systems tested, installed, or operated in accordance with ASHRAE's Standards or Guidelines or that any tests conducted under its Standards or Guidelines will be nonhazardous or free from risk.

ASHRAE INDUSTRIAL ADVERTISING POLICY ON STANDARDS

ASHRAE Standards and Guidelines are established to assist industry and the public by offering a uniform method of testing for rating purposes, by suggesting safe practices in designing and installing equipment, by providing proper definitions of this equipment, and by providing other information that may serve to guide the industry. The creation of ASHRAE Standards and Guidelines is determined by the need for them, and conformance to them is completely voluntary.

In referring to this Standard or Guideline and in marking of equipment and in advertising, no claim shall be made, either stated or implied, that the product has been approved by ASHRAE.

CONTENTS
ANSI/ASHRAE Standard 215-2018
Method of Test to Determine Leakage of Operating HVAC Air Distribution Systems

SECTION	PAGE
Foreword	2
1 Purpose	2
2 Scope	2
3 Definitions	2
4 Instrumentation	3
5 Test Setup	4
6 Test Procedure	7
7 Test Report	10
Informative Annex A: Airflow Measuring Instrument Technologies	11
Informative Annex B: Airflow Measuring Instrument Calibration and Verification Procedures	15
Informative Annex C: Example Calculations Including Uncertainty Analysis	22
Informative Annex D: Derivation of Moist Air Density Equation	27
Informative Annex E: Effect of Bias Errors on Measured Airflow	28
Informative Annex F: Example Test Plan and Test Report	29
Informative Annex G: Diagnostic Procedure for Airtightness Testing of Low-Pressure System Sections during Operation.....	35
Online Example Spreadsheets www.ashrae.org/Standard215-2018	
Informative Annex H: Informative References and Bibliography	38

NOTE

Approved addenda, errata, or interpretations for this standard can be downloaded free of charge from the ASHRAE website at www.ashrae.org/technology.

© 2018 ASHRAE

1791 Tullie Circle NE · Atlanta, GA 30329 · www.ashrae.org · All rights reserved.

ASHRAE is a registered trademark of the American Society of Heating, Refrigerating and Air-Conditioning Engineers, Inc.
ANSI is a registered trademark of the American National Standards Institute.

(This foreword is not part of this standard. It is merely informative and does not contain requirements necessary for conformance to the standard. It has not been processed according to the ANSI requirements for a standard and may contain material that has not been subject to public review or a consensus process. Unresolved objections on informative material are not offered the right to appeal at ASHRAE or ANSI.)

FOREWORD

As discussed in the 2016 and 2017 ASHRAE Handbook chapters “Duct Construction” (Chapter 19) and “Duct Design,” (Chapter 21), heating, ventilating, and air-conditioning (HVAC) system air leakage significantly increases building energy consumption. For example, a leaky VAV system (e.g., 10% leakage upstream and 10% downstream of terminal box inlet dampers at operating conditions) can use 25% to 35% more fan energy than a tight system (e.g., 2.5% upstream and 2.5% downstream at operating conditions). For an exhaust system with 20% leakage, the fan has to move 25% more air to meet the specified flows at the grilles, which causes fan power to increase up to 95%. Leakage also reduces the system’s ability to control and deliver intended flows and pressures and to manage the spread of contaminants. As such, there is a need to minimize leakage airflows during air-handling system operation.

Leakage test procedures currently used by industry focus on determining component airtightness (e.g., for ductwork located upstream of terminal box inlet dampers). Airtightness alone, however, is insufficient to determine leakage airflows. One must also then estimate system pressures during system operation to determine these flows. Determining the location of every leak and the pressure difference across each leak is practically impossible for most systems and can cause significant uncertainty in leakage airflow estimates using this approach.

To eliminate the uncertainty associated with estimating pressure differences across leaks, this standard provides a method of test for determining leakage airflows, either for the whole system or for selected parts. Flows into and out of the section being tested are measured at a repeatable reference operating condition: the difference is the leakage flow. The operating condition is not necessarily the design operating condition but corresponds to the greatest system inlet flow (outlet flow for exhaust systems, possible without being detrimental to the occupants of the building, the building structure, or the HVAC mechanical components, while maintaining the duct static pressure setpoint (where applicable) specified in design documents.

This standard does not mandate a calibration method for any instrument, nor does it dictate that the user employ a specific flow measurement technique. Informative Annex A provides a general discussion of airflow measuring instrument technologies and their capabilities. Informative Annex B provides recommended airflow measuring instrument calibration and verification procedures.

A simplified methodology for estimating leakage airflows downstream of terminal-box inlet dampers (Informative Annex G) is also provided in this standard. This methodology can be used to distinguish leakage downstream of terminal-box inlet dampers from total leakage determined by this stan-

ard so that the user can determine where to focus potential sealing activities.

1. PURPOSE

This standard specifies a method of test to determine leakage airflow and fractional leakage of operating HVAC air distribution systems and determines the uncertainty of the test results.

2. SCOPE

2.1 This standard is for field application in both new and existing buildings.

2.2 This standard can be applied to determine whole-system or sectional leakage airflow.

2.3 This standard provides

- test procedures and requirements for measuring inlet and outlet airflows during system operation,
- methods for calculating leakage airflows to/from system surroundings,
- methods for calculating leakage test uncertainties,
- methods for documenting the test plan, and
- methods for reporting test results.

2.4 The test procedures in this standard are limited to single-duct supply and independent exhaust air systems.

2.5 This standard is not for determining return air leakage.

2.6 This standard is not for determining leakage involving ceiling and floor plenums, systems serving pressure-controlled spaces, or air dispersion systems.

2.7 This standard does not replace ductwork pressurization leakage testing.

2.8 This standard does not specify leakage acceptance criteria.

2.9 This standard shall not be used to override any safety, health, or critical process requirements.

3. DEFINITIONS

accuracy: the degree of conformity of an indicated value to an accepted standard value or true value. The degree of inaccuracy is known as “total measurement error” and is the sum of bias and precision errors.

air dispersion systems: any diffuser system designed to both convey air within a room, space, or area and diffuse air into that space while operating under positive pressure. These systems are commonly, but not exclusively, constructed of fabric, sheet metal, or plastic film.

air terminal: device other than an air valve that modulates the volume of air delivered to or removed from a conditioned space in response to an external demand.

bias error: the difference or offset between the true or actual value to be measured and the mean indicated value from the measuring system that persists and is usually due to the particular instrument or technique of measurement. This error is determined and minimized through calibration.

confidence level: the probability that a stated interval will include the true value. In analyzing measured data, a confidence level of 95% (approximately two standard deviations) is often

used. The level used in this standard for error analyses is one standard deviation (approximately 68%).

error: the difference between the true value of the quantity measured and an observed value. All experimental errors can be classified as one of two types: bias error or precision error.

exhaust system, independent: air discharged from a space to the outdoors by a system not coupled to supply or return air systems.

fractional leakage: leakage airflow for the system or a section, whichever is applicable, divided by the associated inlet airflow at the reference operating condition.

independent exhaust system: see *exhaust system, independent*.

leakage airflow: the aggregate sum of all airflows through leaks either to or from an air-handling system or a section, whichever is applicable and regardless of whether the leaks are unintentional or not, due to pressure differences applied across the leaks during system operation at the reference operating condition. Calculated leakage airflows are referenced to standard air density.

mechanical room plenum: plenum between the air-handling unit (AHU) and the return or relief fan that make up the economizer cycle.

outlet: for a single-duct supply system, a grille or diffuser. For an independent exhaust system, the system discharge.

precision error: a statistical error that is caused by chance or by stochastic temporal or spatial variations of factors affecting the measurement process and that is not necessarily recurring. It causes readings to take varying values on either side of the mean value. This error can often be reduced by increasing the number of observations.

pressure-controlled space: an enclosed space within a building, such as a laboratory space or hospital isolation space, that has automatically controlled pressure relationships. Whole-building pressure control is not defined as a pressure-controlled space within this standard.

reference flow: airflow at which an HVAC system operates during a leakage test.

reference operating condition: configuration, as applicable, of system fans and all other system components and commands necessary to achieve the desired operating condition. It corresponds to the greatest system inlet flow (outlet flow for exhaust systems) possible without being detrimental to the occupants of the building, the building structure, or the HVAC mechanical components while maintaining the duct static pressure set point (where applicable) specified in design documents.

reference static pressure: static pressure at which a system operates during a leakage test.

relative humidity: the ratio of the vapor pressure of a moist air sample to the saturation vapor pressure at the same mixture temperature and pressure.

single-duct supply air distribution system: system in which the air, having been conditioned, is distributed to various zones through a single-duct system, in some cases through an air terminal, but not through air valves.

surroundings: where applicable, system surroundings include outdoors and conditioned or unconditioned spaces within the building.

system: in this standard, (a) portions of HVAC systems or (b) independent exhaust systems.

The portions of the HVAC system covered by this standard are

- the supply air distribution ductwork between the air-handling unit (AHU) discharge and the conditioned space, including variable-air-volume (VAV) terminal units, coils, dampers, and sound attenuators, or
- a portion of that supply air distribution ductwork.

Exhaust air systems, independent of the HVAC system, are also covered by this standard.

The AHU, return ductwork, return or exhaust relief fan, and outdoor air and exhaust air plenums are not covered by this standard.

test plan: a document or other written form of communication that specifies the requirements for conducting the test procedure and reporting the test results.

test section: see *system*.

uncertainty: a measure of the dispersion of potential error relative to the true value. Uncertainty reflects doubt in a measurement to a specified confidence level. Although uncertainty is the result of both bias and precision errors, only precision errors are treated by statistical methods. Bias errors correspond to a mean error and can be minimized through calibration. In this standard, instrument readings are corrected by subtracting mean bias errors, and uncertainty is analyzed only as a precision error.

4. INSTRUMENTATION

4.1 Calibration Requirements. Measurements from the instruments shall be traceable to primary or secondary standards calibrated by the National Institute of Standards and Technology (NIST) or to the Bureau International des Poids et Mesures (BIPM) if a national metrology institute (NMI) other than NIST is used. Instruments shall be recalibrated on a regular schedule that is appropriate for each instrument but at least annually. Calibration records shall be maintained.

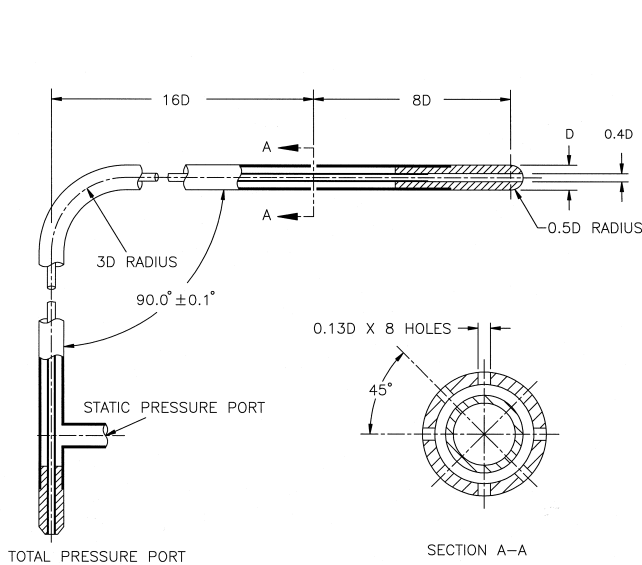
4.2 Precision Error. The required precision with a 95% confidence level for the instruments used shall be as follows.

4.2.1 Airflow instruments shall have a precision $P_{Q_{x, std}}$ equal to or better than 3% of measured airflow adjusted to standard air density or 1 L/s (2 cfm), whichever is greater, unless specified otherwise in the test plan. Precision shall be stated at standard air density: 1.204 kg/m³ (0.075 lb_m/ft³).

4.2.2 Barometric pressure instruments shall have a precision P_{pb} equal to or better than 0.5% of measured pressure or 500 Pa (0.073 psi, 0.148 in. of mercury), whichever is greater.

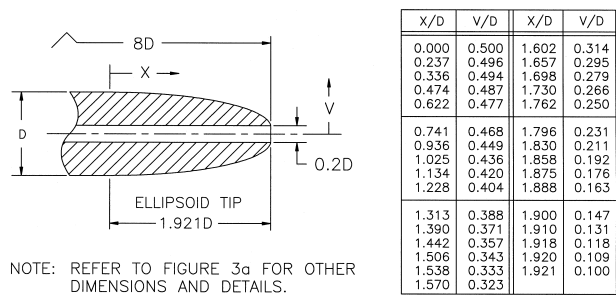
4.2.3 Duct static pressure instruments shall have a precision P_{ps} equal to or better than 2% of measured pressure or 1 Pa (0.004 in. of water), whichever is greater.

4.2.4 Temperature instruments shall have a precision P_t equal to or better than 1°C (2°F).



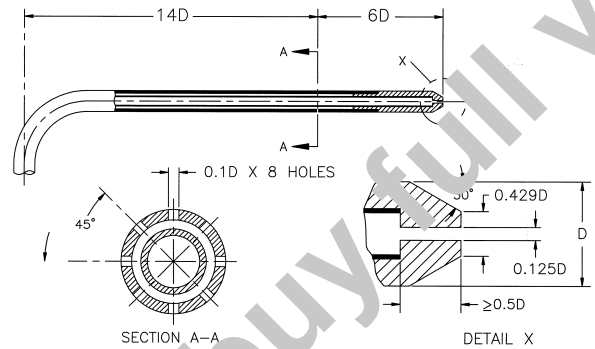
- NOTES:
1. ALL DIMENSIONS SHALL BE WITHIN $\pm 2\%$.
 2. STATIC ORIFICES MAY NOT EXCEED 1 mm IN DIAMETER.
 3. HEAD SHALL BE FREE FROM NICKS AND BURRS.
 4. HOLE DIAMETER SHALL NOT EXCEED 1 mm.
 5. HOLE DEPTH SHALL NOT BE LESS THAN THE HOLE DIAMETER.
 6. HOLES SHALL BE FREE FROM NICKS AND BURRS.

a. Static and Pitot-Static Tube with Spherical Head



NOTE: REFER TO FIGURE 3a FOR OTHER DIMENSIONS AND DETAILS.

b. Alternate Pitot-Static Tube with Ellipsoidal Head



NOTE: REFER TO FIGURE 3 FOR OTHER DIMENSIONS AND DETAILS.

c. Alternate Pitot-Static Tube with Blunt Head

Figure 1 Pitot-static tube.

4.2.5 Relative humidity instruments shall have a precision P_{ϕ} equal to or better than 7%.

4.3 Bias Error. Mean bias errors for airflows shall be stated at standard air density as a *fractional* value $B_{Q_{x, std-frac}}$ of the measured airflow adjusted to standard air density or an *absolute* value $B_{Q_{x, std-abs}}$, whichever is applicable.

4.4 Accuracy. When instrument accuracy is reported without separating out the precision and bias error components, it shall be assumed that “accuracy” means a precision error at a 95% confidence level and the bias error is zero.

4.5 Airflow Measuring Instrument

4.5.1 Test section airflows *not at grilles and diffusers* shall be measured using an airflow measuring station or another instrument capable of measuring the airflows with the precision stated in Section 4.

Test section airflows *at grilles and diffusers* shall be measured using a flow capture hood or other instrument capable of measuring the airflows with the precision stated in Section 4.

4.6 Pressure Measuring Instruments. Static pressure at a point in a duct shall be sensed with the static tap part of a pitot-static tube conforming to Figure 1.

TEST SETUP

5.1 General Requirements

5.1.1 The test setup operating parameters shall be described in sufficient detail in the test plan (Section 5.5) and the test report (Section 7) to enable achieving a repeatable reference operating condition.

5.1.2 The reference operating condition shall correspond to the greatest system inlet flow (outlet flow for exhaust systems), possible without being detrimental to the occupants of the building, the building structure, or the HVAC mechanical components, while maintaining the duct static pressure set point (where applicable) specified in design documents.

5.1.3 The description of the test setup shall include the following at a minimum:

- a. Fan speeds, fan blade or vane positions, and fan variable frequency drive (VFD) output frequency, where applicable
- b. All damper positions and commands (supply air, return air, outdoor air, relief air)
- c. Static pressure reference locations and set points, where applicable
- d. All other system and terminal unit control damper positions and commands necessary to achieve the reference operating condition
- e. Diagram of test measurement locations

5.1.4 After the test is complete, the system configuration shall be returned to the configuration existing before the system set up.

5.2 Single-Duct Constant-Air-Volume (CAV) Systems

5.2.1 The supply air fan shall operate at the reference operating condition. For a schematic of a typical CAV system, refer to Figure 2.

5.2.2 Other fans associated with the system (return or relief air fans) shall be operated to achieve the reference operating condition.