



**American Society of  
Agricultural and Biological Engineers**

**S  
T  
A  
N  
D  
A  
R  
D**

ASABE is a professional and technical organization, of members worldwide, who are dedicated to advancement of engineering applicable to agricultural, food, and biological systems. ASABE Standards are consensus documents developed and adopted by the American Society of Agricultural and Biological Engineers to meet standardization needs within the scope of the Society; principally agricultural field equipment, farmstead equipment, structures, soil and water resource management, turf and landscape equipment, forest engineering, food and process engineering, electric power applications, plant and animal environment, and waste management.

**NOTE:** ASABE Standards, Engineering Practices, and Data are informational and advisory only. Their use by anyone engaged in industry or trade is entirely voluntary. The ASABE assumes no responsibility for results attributable to the application of ASABE Standards, Engineering Practices, and Data. Conformity does not ensure compliance with applicable ordinances, laws and regulations. Prospective users are responsible for protecting themselves against liability for infringement of patents.

ASABE Standards, Engineering Practices, and Data initially approved prior to the society name change in July of 2005 are designated as "ASAE", regardless of the revision approval date. Newly developed Standards, Engineering Practices and Data approved after July of 2005 are designated as "ASABE".

Standards designated as "ANSI" are American National Standards as are all ISO adoptions published by ASABE. Adoption as an American National Standard requires verification by ANSI that the requirements for due process, consensus, and other criteria for approval have been met by ASABE.

Consensus is established when, in the judgment of the ANSI Board of Standards Review, substantial agreement has been reached by directly and materially affected interests. Substantial agreement means much more than a simple majority, but not necessarily unanimity. Consensus requires that all views and objections be considered, and that a concerted effort be made toward their resolution.

**CAUTION NOTICE:** ASABE and ANSI standards may be revised or withdrawn at any time. Additionally, procedures of ASABE require that action be taken periodically to reaffirm, revise, or withdraw each standard.

Copyright American Society of Agricultural and Biological Engineers. All rights reserved.

ASABE, 2950 Niles Road, St. Joseph, MI 49085-9659, USA, phone 269-429-0300, fax 269-429-3852, [hq@asabe.org](mailto:hq@asabe.org)

# Chisel Plows, Field Cultivators, Row Crop Cultivators, Ripper Shanks and Ground Tool Mountings

*Adopted by ASAE March 1955; reconfirmed by Power and Machinery Division Standards Committee December 1961, December 1966, December 1971; revised by ASAE Cultural Practices Equipment Committee February 1973; reaffirmed December 1977, December 1982, December 1987, December 1992, December 1997, December 1998, February 2004, February 2009; editorial revision February 2009; reaffirmed December 2011; revised August 2016.*

**Keywords:** Chisel, Cultivator, Mountings, Plow, Ripper, Shanks, Shovel, Sweeps

## 1 Purpose and Scope

**1.1** The purpose of this Standard is to provide greater interchangeability of cultivator sweeps, shovels, and points used on various types of footpieces for row crop cultivators, field cultivators, chisel plows and rippers; to provide a good fit and thereby better mechanical support for sweeps, shovels and points on such footpieces; and to provide ground clearance between the lowest portion of footpieces or attaching tools and the cutting edge of sweeps to accommodate wear.

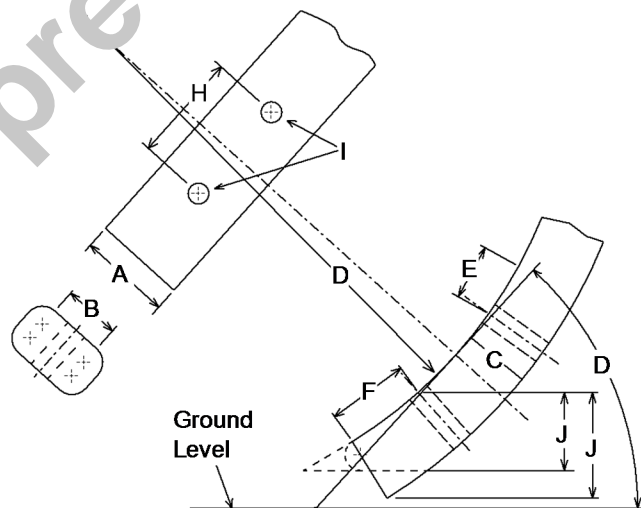
**1.2** This Standard includes the following specifications for row crop cultivators, field cultivators, chisel plows and rippers:

**1.2.1** Mounting specifications for the ground tool attaching portion of the shank as applied to spring trip and friction trip shanks, stiff shanks and square coil spring tool shanks, and flat spring tooth shanks.

**1.2.2** Attaching specifications for sweeps with curved stems; double pointed shovels, teeth and spikes; and spear point and single end shovels; and ripper shank joints.

## 2 Specifications for Ground Tool Portion of Shank

**2.1** Dimensions related to the following specifications are shown in Figure 1 and Table 1.



**Figure 1 – Chisel and cultivator shanks**

**Table 1 – Dimensions for ground tool attaching portion of shank (see Figure 1)**

Dimension	Description	Chisel Plow				Field Cultivator				Spring Trip Shanks*				Flat Spring Shanks			
		Inches		Millimeters		Inches		Millimeters		Inches		Millimeters		Inches		Millimeters	
		Min	Max	Min	Max	Min	Max	Min	Max	Min	Max	Min	Max	Min	Max	Min	Max
A	Width of footpiece	2.0 nominal		50.8 nominal		1.75 nominal		44.5 nominal		–	1.5	–	38.1	1.75 nominal		44.5 nominal	
B	Width of footpiece flat surface	1.6	–	40.6	–	1.6	–	40.6	–	–	–	–	–	1.6	–	40.6	–
C	Thickness of footpiece	–	–	–	–	–	–	–	–	–	1.38	–	35.1	–	–	–	–
D	Radius of curvature in tool attached area	11.0 nominal		279.4 nominal		9.0 nominal		228.6 nominal		8.0 nominal		203.2 nominal		8.0 nominal		203.2 nominal	
E	Length of curvature ext. above top bolt hole	0.75	–	19.1	–	0.75	–	19.1	–	0.75	–	19.1	–	0.75	–	19.1	–
F	Length of curvature ext. below lower bolt hole	1.0	–	25.4	–	1.0	–	25.4	–	1.0	–	25.4	–	1.0	–	25.4	–
G	Angle of attachment	†	†	†	†	†	†	†	†	†	†	†	†	†	†	†	†
H	Attaching bolt hold spacing	2.25 nominal‡		57.2 nominal‡		1.75 nominal‡		44.5 nominal‡		2.0 nominal		50.8 nominal		2.0 nominal		50.8 nominal	
I	Holes to provide clearance for specified No. 3 plow bolt	0.44 std. 0.50 opt.		11.2 std. 12.7 opt.		0.38 std. 0.44 opt.		9.7 std. 11.2 opt.		0.44 nominal		11.2 nominal		0.44 nominal		11.2 nominal	
J	Height of lower bolt hole	–	1.5	–	38.1	–	1.38	–	35.1	–	1.38	–	35.1	–	1.38	–	35.1

\* Includes square coil spring, friction trip and stiff shanks.  
 † Shanks shall provide desired working angle for standard sweep.  
 ‡ The upper hole may be slotted to increase the center to center distance by 0.25 in. (6.4 mm).

**2.1.1 Width of footpiece, dimension A.** Dimensions are nominal or maximum as specified.

**2.1.2 Width of flat surface on footpiece, dimension B.** The width of the flat surface on the shank footpiece shall not be less than the minimum specified unless the footpiece is recessed at the bolt holes. All shank footpieces with less than the specified flat surface width shall be recessed at the bolt holes to accommodate the extrusion on the sweep stem.

**2.1.3 Thickness of footpiece, dimension C.** This dimension applies only to trip shanks of row crop cultivators.

**2.1.4 Radius of curvature, dimension D.** The arc of curvature extends through dimensions E, H, and F.

**2.1.5 Length of curvature extension above bolt hole, dimension E.** A good fit requires radius of curvature of the shank to extend a minimum distance above the upper bolt hole. This dimension is measured on the chord.

**2.1.6 Length of curvature extension below bolt hole, dimension F.** A good fit requires radius of curvature of the shank to extend a minimum distance below the lower bolt hole, but not more than the maximum specified. This dimension is measured on the chord.